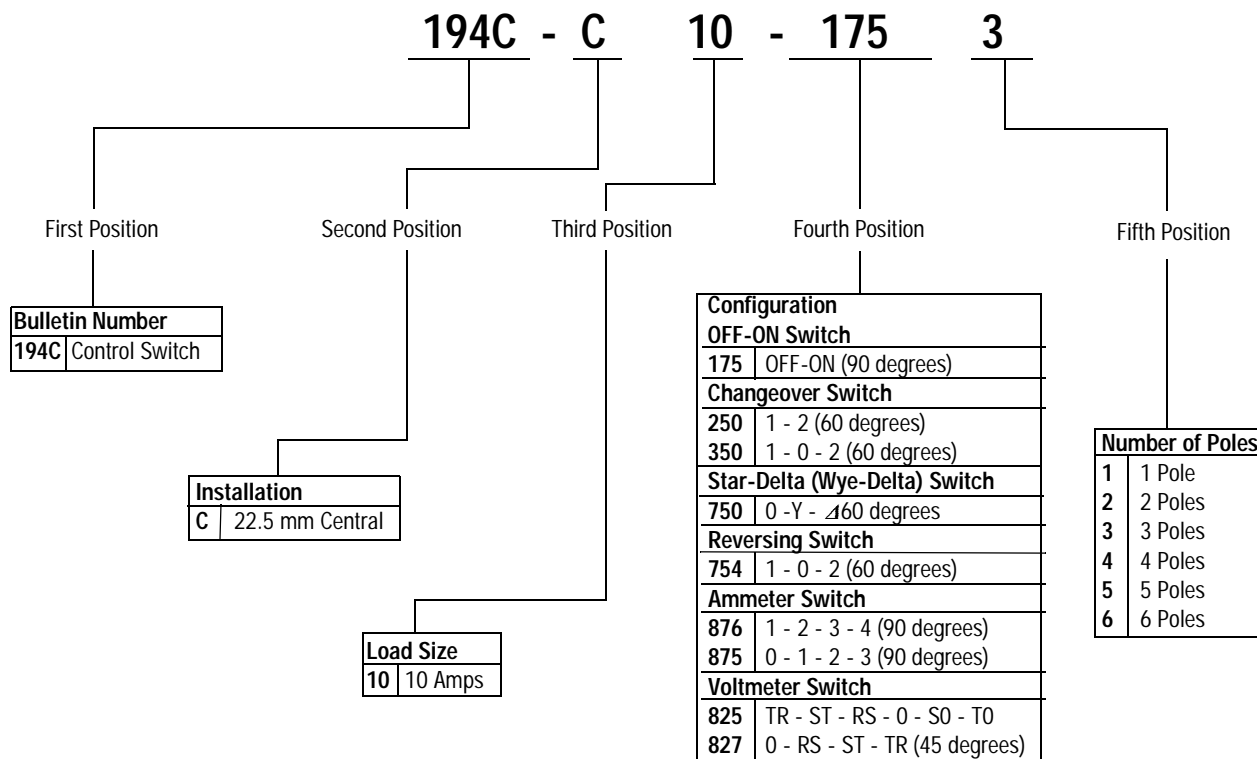


Allen-Bradley Bulletin 194 Control and Load Switches

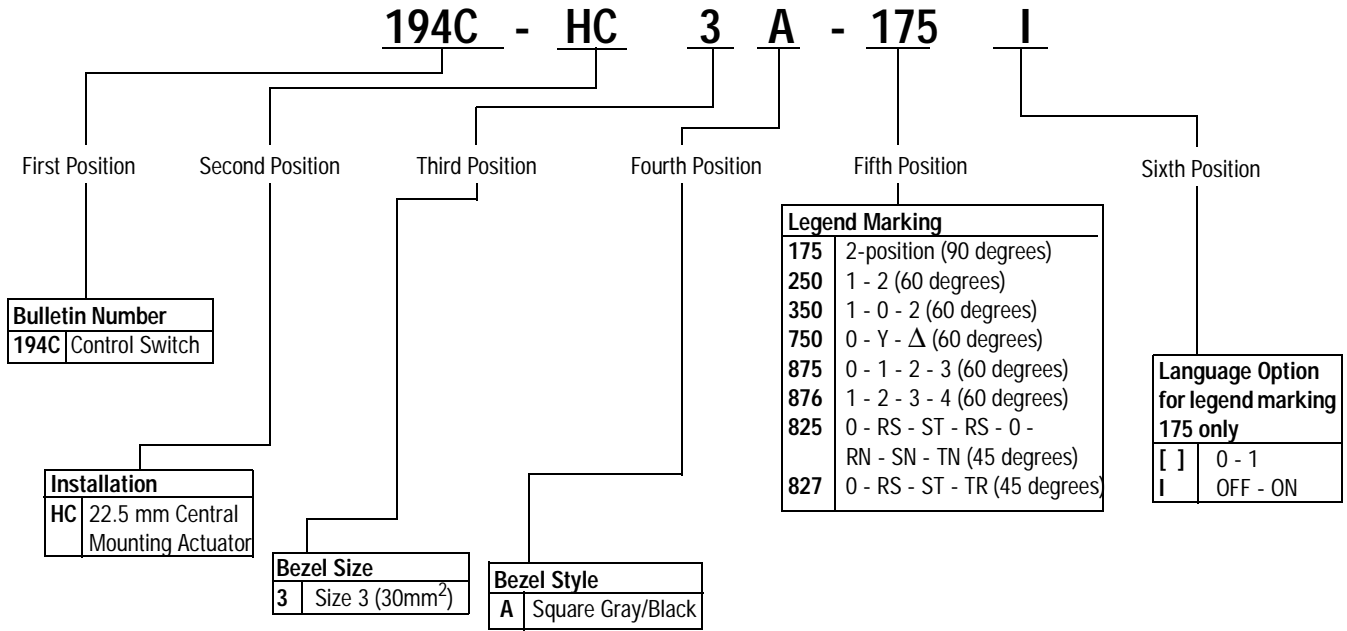
Catalog Number Information

This publication is an explanation of the catalog numbering system used with the Bulletin 194 line of control and load switches. Listed is the basic control and load switch catalog number arrangement and identification of the first through sixth positions. Note: Not all possible options for catalog numbers are available.

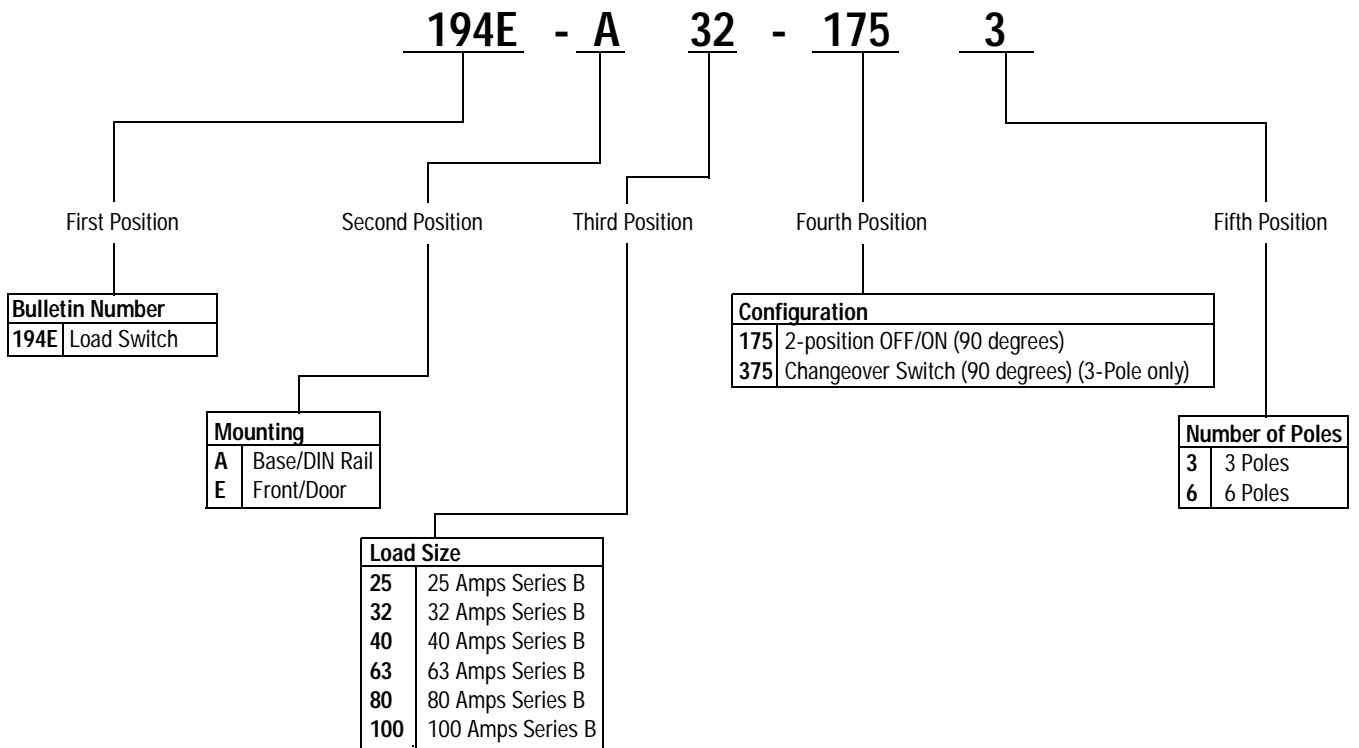
Bulletin 194C Switch Configurator



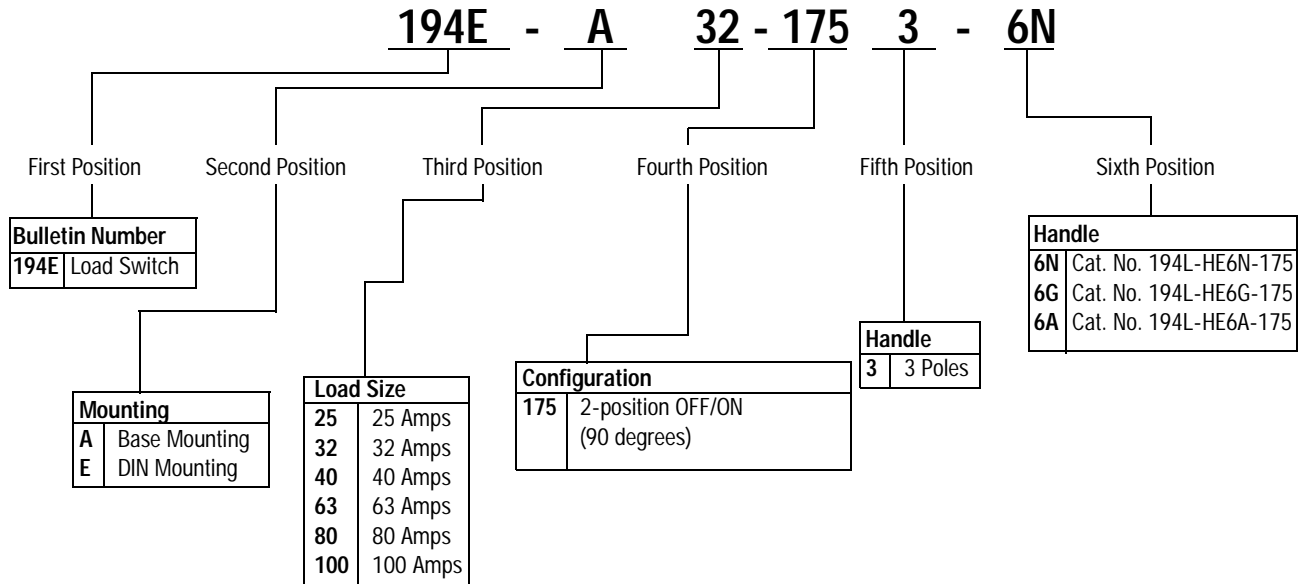
Bulletin 194C Actuator Configurator



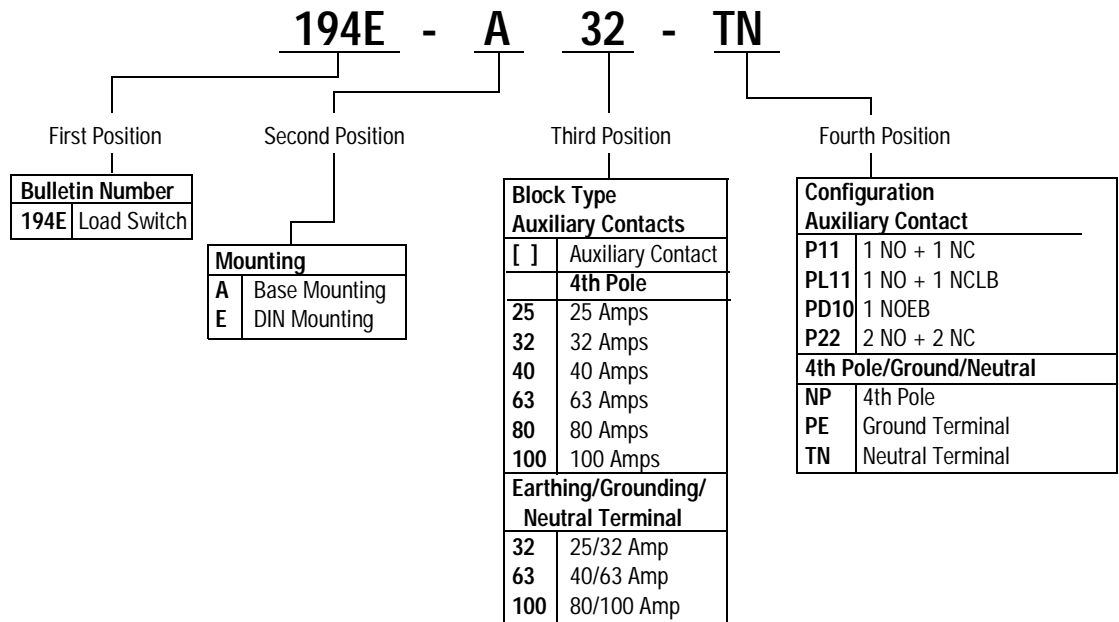
Bulletin 194E Switch Configurator (Small-Frame Switches)



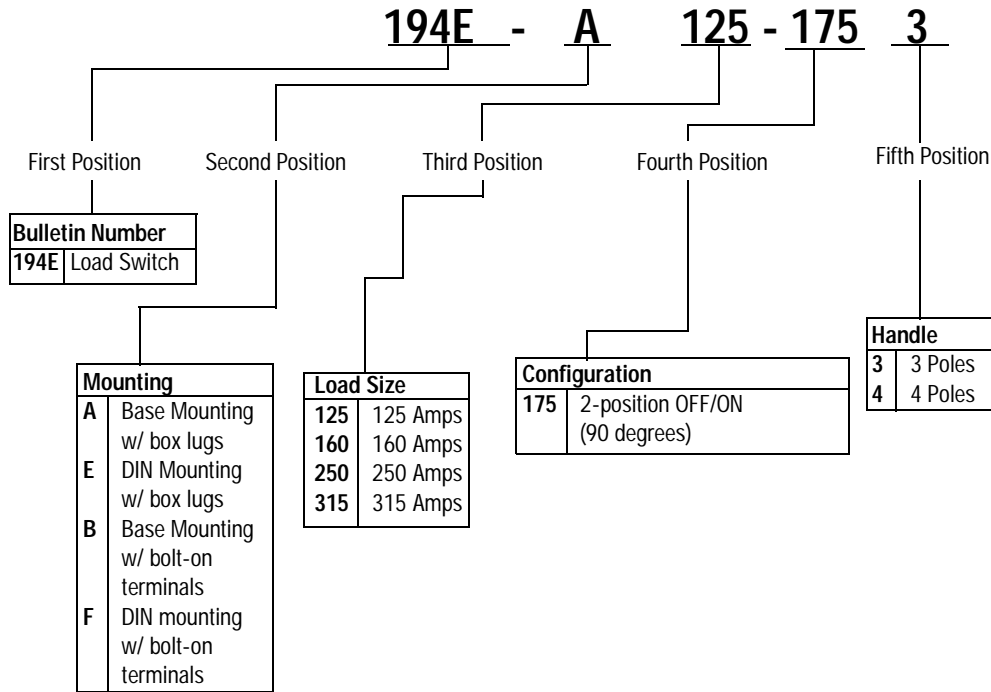
Bulletin 194E Switch Kits Configurator (Small-Frame Switches)



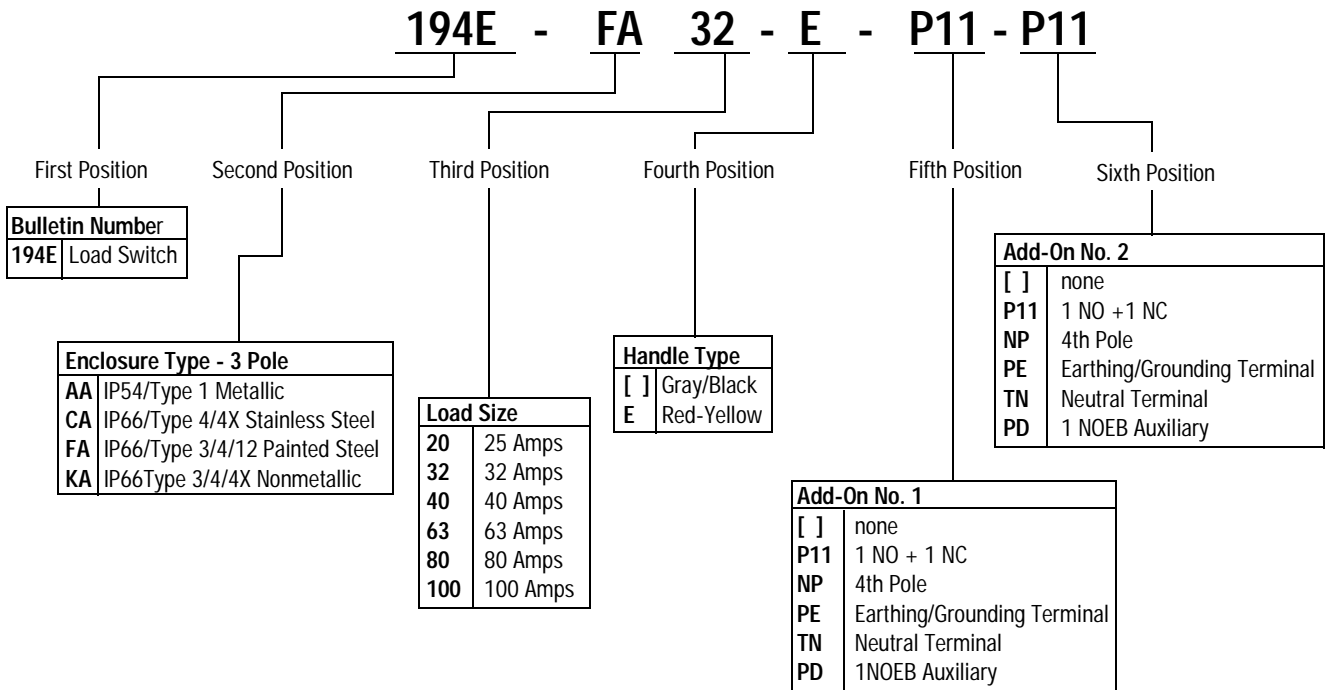
Bulletin 194E Add-On Blocks



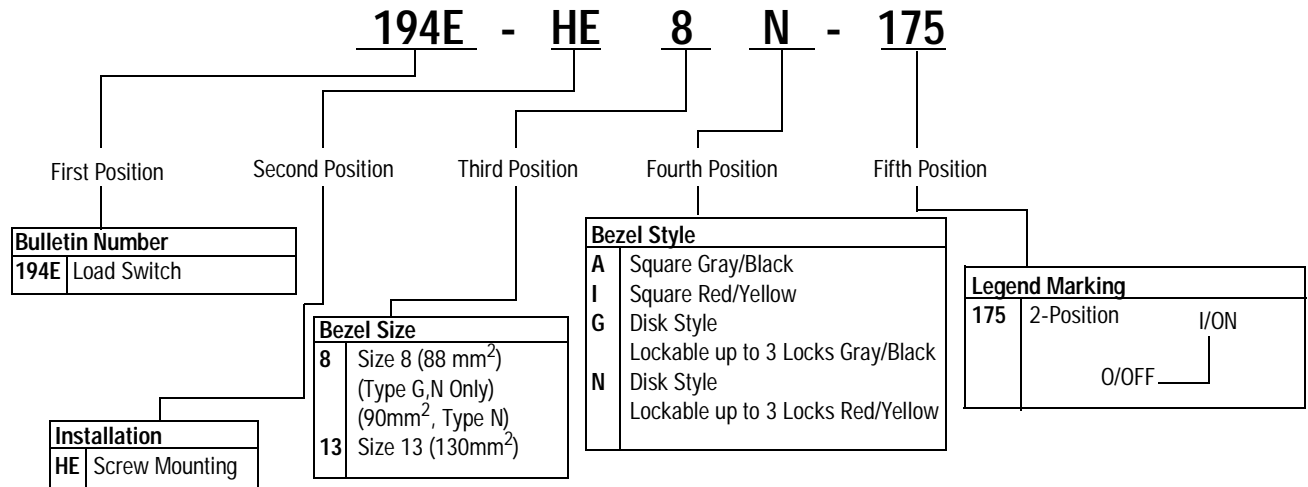
Bulletin 194E Switch Configurator (Large-Frame Switches)



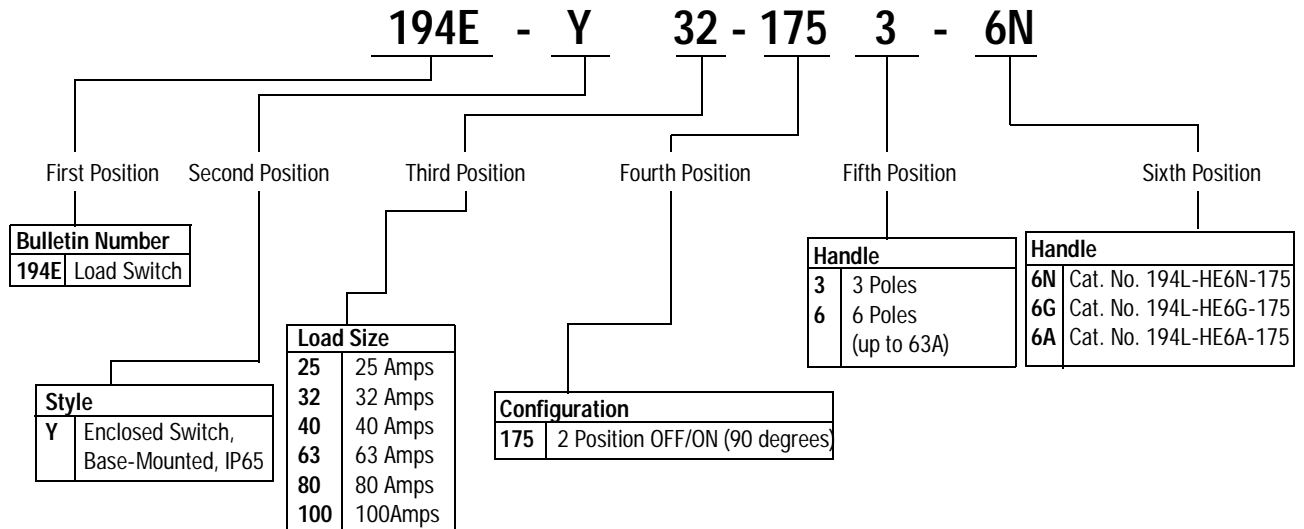
Bulletin 194E Enclosed Switch Configurator



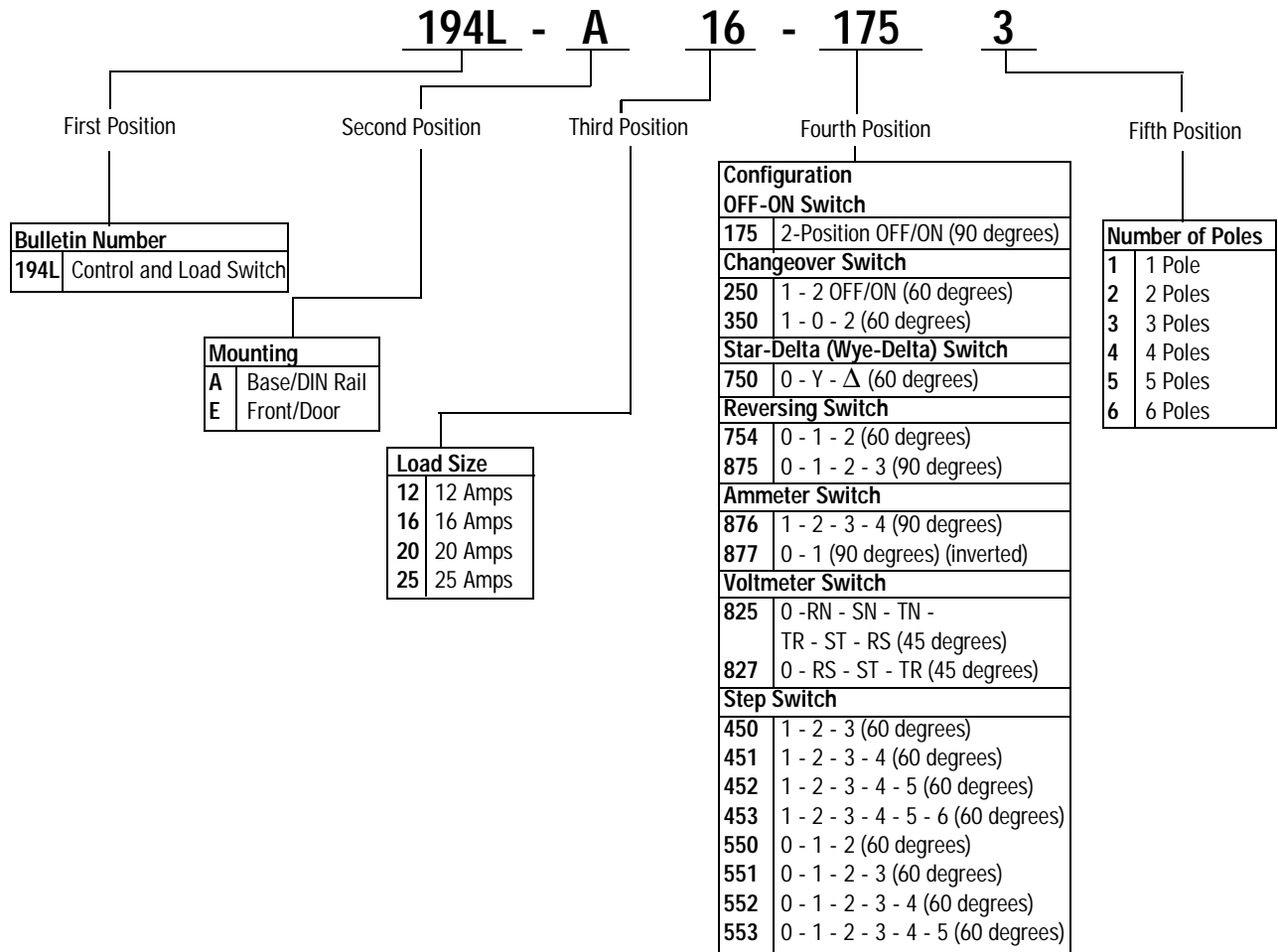
Bulletin 194E/Actuator Configurator for Large-Frame Switches (For use with Bulletin 194E Switches)



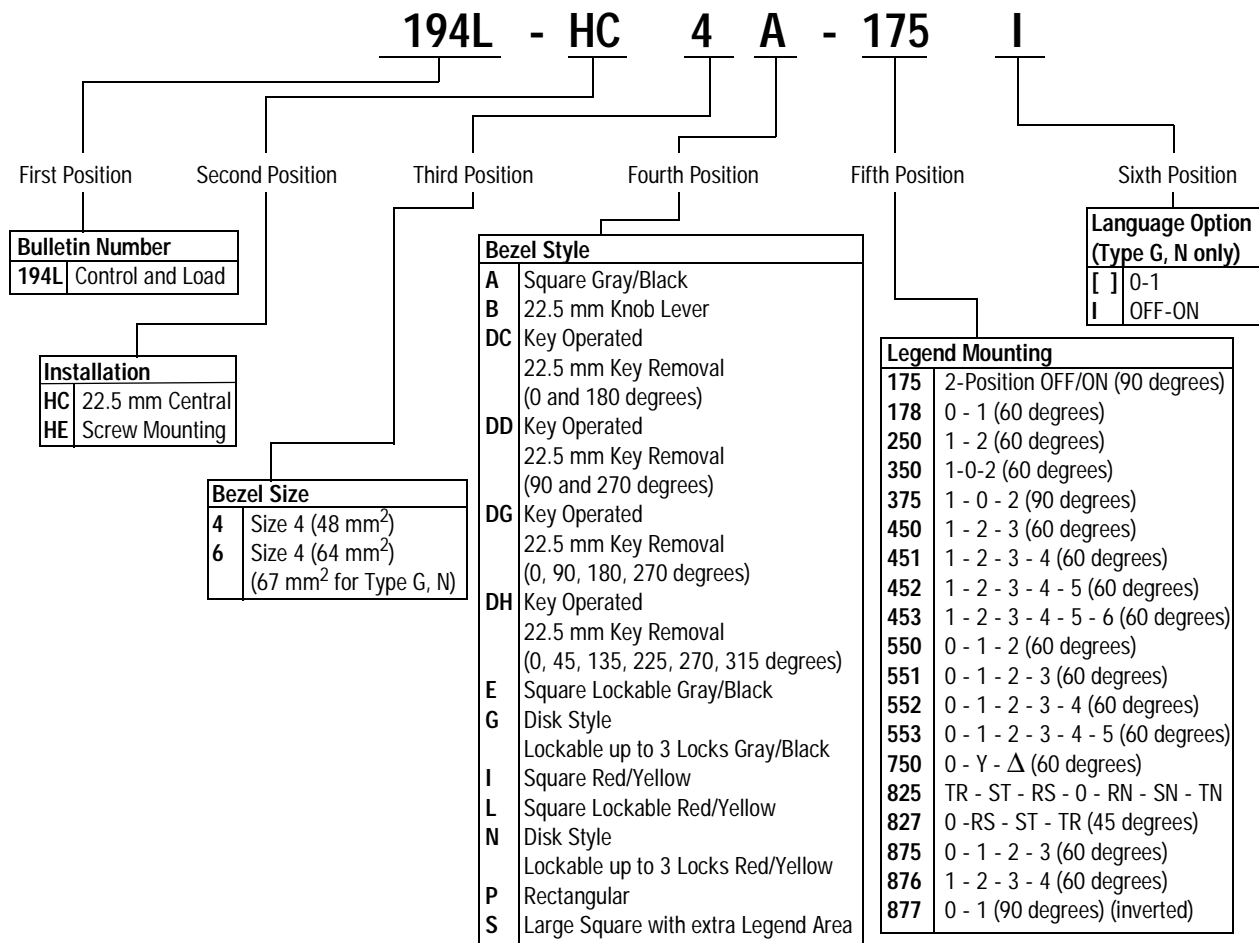
Bulletin 194E Enclosed Switch Configurator Station



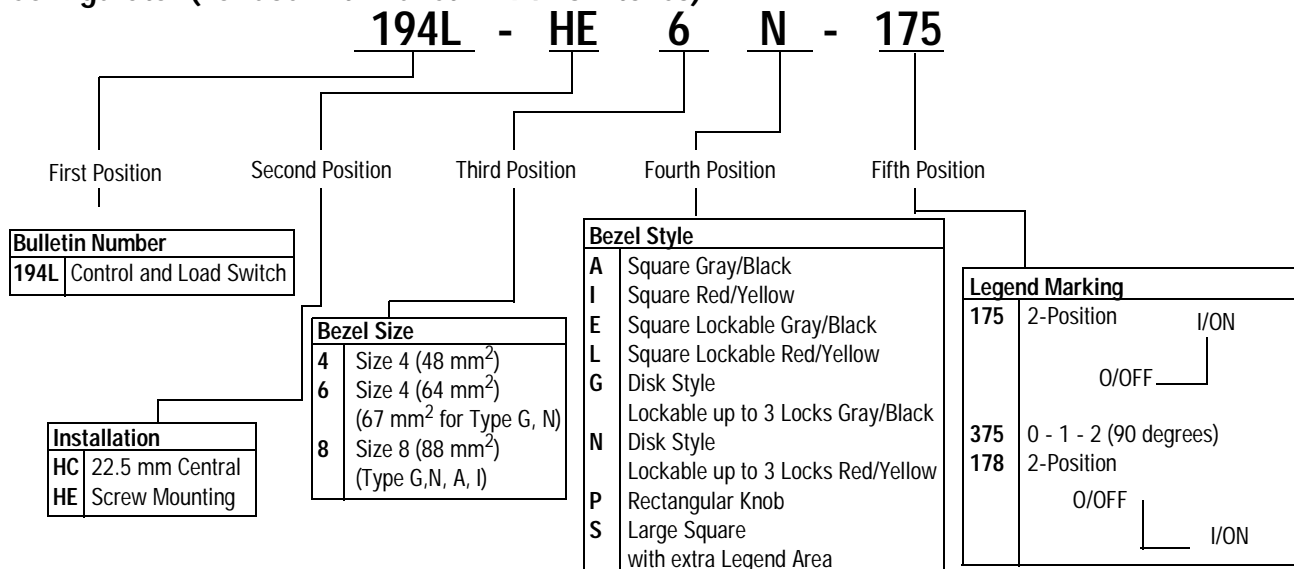
Bulletin 194L Switch Configurator



Bulletin 194L Actuator Configurator



Bulletin 194E/194L Actuator Configurator (For use with Bulletin 194E Switches)



Reach us now at www.rockwellautomation.com

Wherever you need us, Rockwell Automation brings together leading brands in industrial automation including Allen-Bradley controls, Reliance Electric power transmission products, Dodge mechanical power transmission components, and Rockwell Software. Rockwell Automation's unique, flexible approach to helping customers achieve a competitive advantage is supported by thousands of authorized partners, distributors and system integrators around the world.



Americas Headquarters, 1201 South Second Street, Milwaukee, WI 53204, USA, Tel: (1) 414 382-2000, Fax: (1) 414 382-4444
European Headquarters SA/NV, avenue Herrmann Debroux, 46, 1160 Brussels, Belgium, Tel: (32) 2 663 06 00, Fax: (32) 2 663 06 40
Asia Pacific Headquarters, 27/F Citicorp Centre, 18 Whitfield Road, Causeway Bay, Hong Kong, Tel: (852) 2887 4788, Fax: (852) 2508 1846

**Rockwell
Automation**