









<b>General Information</b>	Quick Selection Guide . . . . .	page 6–2
	Electrical Interface Guide . . . . .	page 6–4
	Technical Definitions and Terminology . . . . .	page 6–5
<b>Absolute Encoders</b>	Bulletin 842A Multi-Turn Magnetic Absolute . . . .	page 6–7
	Bulletin 842D DeviceNet™ Magnetic Absolute .	page 8–16
	Bulletin 845D Single-Turn Absolute . . . . .	page 6–16
	Bulletin 845G Single-Turn Absolute . . . . .	page 6–23
	Bulletin 845GM Single-Turn Absolute . . . . .	page 6–28
<b>Incremental Optical Encoders</b>	Bulletin 844A & 844B Hollow Shaft Incremental	page 6–10
	Bulletin 844D Hollow Shaft Incremental . . . . .	page 6–13
	Bulletin 845F Incremental with Integral Coupler	page 6–20
	Bulletin 845H Size 25 Incremental . . . . .	page 6–33
	<b>Bulletin 845K Size 25 Incremental . . . . .</b>	<b>page 6–37</b>
	<b>Bulletin 845P Size 15 Incremental . . . . .</b>	<b>page 6–40</b>
	<b>Bulletin 845S IGBT Drive Incremental . . . . .</b>	<b>page 6–44</b>
	Bulletin 845T Size 20 Incremental . . . . .	page 6–48
<b>Digital Tachometer</b>	Bulletin 845PY Digital Tachometer (5PY Mounting) . . . . .	page 6–42
<b>Accessories</b>	Serial Parallel Adaptor . . . . .	page 6–51
	SPA Card Holder . . . . .	page 6–51
	Flexible Couplings . . . . .	page 6–52
	Measuring Wheels . . . . .	page 6–53
	Servo Clamps . . . . .	page 6–53
	Pre-Wired Cable Assemblies . . . . .	page 6–54
	Mating Connectors . . . . .	page 6–57
	Mounting Plates . . . . .	page 6–57
	Differential Encoder Buffer Board . . . . .	page 6–60
<b>Indexes</b>	Catalog Number Index . . . . .	page 9–1
	Comprehensive Product Index . . . . .	page 10–1






**Bold items indicate obsolete product.**





# Quick Selection Guide

Specifications	 <b>842A</b> Multi-Turn Magnetic Absolute	 <b>844A &amp; 844B</b> Hollow Shaft Incremental	 <b>844D</b> Hollow Shaft Incremental	 <b>845D</b> Single-Turn Absolute	 <b>845F</b> Incremental with Integral Coupler
<b>Resolution</b>	• 24 bits (2048–8192 CPR & 256–8192 revolutions)	• 10–2500 PPR	• 360–16,384 PPR	• 8 to 12 bits (256–1000 CPR)	• 50 to 5000 PPR
<b>Power Supply</b>	• 10–30V DC	• 5V DC, 12V DC, or 8–24V DC	• 5V DC, 10–30V DC, or 5–26V DC	• 5V DC or 8–24V DC	• 5V DC or 8–24V DC
<b>Outputs</b>	• Synchronous Serial Interface (SSI)	• Differential line driver • NPN open collector	• Differential line driver • Push-Pull	• 5V TTL • Open collector	• Source • Sink w/pullup • Differential line driver • Open collector
<b>Housing Size (Dia.)</b>	• 60mm (2.36in)	• 51mm (2.0in)	• 90mm (3.5in)	• 64mm (2.5in)	• 64mm (2.5in)
<b>Frequency Response or Data Rate</b>	• Up to 500 kHz	• 100 kHz	• 200, 300, or 600 kHz	• 16 K words/sec	• 200 kHz
<b>Shaft Speed</b>	• 6000 RPM	• 3000 RPM	• 3000 RPM	• 5000 RPM	• 6000 RPM
<b>Mounting</b>	• Metric servo with 36 or 50mm pilot	• Integral flex mount	• Three tether options & anti-rotation pin	• Square flange • English servo	• Standard coupler • High performance coupler
<b>Connections</b>	• Radial connector	• 18in (457mm) integral cable	• Radial connector • Radial cable • Terminal block	• Axial connector • Radial connector	• Axial connector • Radial connector • Axial cable • Radial cable
<b>Protection</b>	• IP66 (IEC 529)	• IP40 (IEC 529)	• NEMA 4, 13; IP66	• NEMA 4, 13; IP66	• NEMA 4, 13; IP66
<b>Additional Info</b>	• See page 6–7	• See page 6–10	• See page 6–13	• See page 6–16	• See page 6–20

Specifications	 <b>845G</b> Single-Turn Absolute	 <b>845GM</b> Single-Turn Absolute	 <b>845H</b> Size 25 Incremental	 <b>845K</b> Size 25 Incremental	 <b>845P</b> Size 15 Incremental
<b>Resolution</b>	• 8 to 15 bits (256–32,768 CPR)	• 8 to 15 bits (256–32,768 CPR)	• 50 to 5000 PPR	•	• 500 or 1000 PPR
<b>Power Supply</b>	• 5V DC, 10–30V DC, or 8–24V DC	• 5V DC, 10–30V DC, or 8–24V DC	• 5V DC or 8–24V DC	•	• 5V DC
<b>Outputs</b>	• 5V TTL • Open collector • Push-Pull • SSI	• 5V TTL • Open collector • Push-Pull • SSI	• Source • Sink w/pullup • Differential line driver • Open collector	•	• Differential line driver
<b>Housing Size (Dia.)</b>	• 64mm (2.5in)	• 51mm (2.0in)	• 64mm (2.5in)	•	• 40mm (1.59in)
<b>Frequency Response or Data Rate</b>	• 16 Kwords/sec	• 16 Kwords/sec	• 200 kHz	•	• 100 kHz
<b>Shaft Speed</b>	• 5000 RPM	• 5000 RPM	• 6000 RPM	•	• 5000 RPM
<b>Mounting</b>	• Square flange • English servo	• Square flange • English servo	• Square flange • English servo	•	• English servo
<b>Connections</b>	• Axial connector • Radial connector	• Radial connector	• Axial connector • Radial connector • Axial cable • Radial cable	•	• 18in (457mm) integral cable
<b>Protection</b>	• NEMA 4, 13; IP66	• NEMA 4, 13; IP66	• NEMA 4, 13; IP66	•	• NEMA 1
<b>Additional Info</b>	• See page 6–23	• See page 6–28	• See page 6–33	• See page 6–37	• See page 6–40

			
<b>Specifications</b>	<b>845PY</b> Digital Tachometer (5PY Mounting)	<b>845S</b> IGBT Drive Incremental	<b>845T</b> Size 20 Incremental
<b>Resolution</b>	• 50 to 3000 PPR	•	• 50 to 3000 PPR
<b>Power Supply</b>	• 5V DC, 11–20V DC or 24V DC	•	• 5V DC, 11–20V DC or 24V DC
<b>Outputs</b>	• Differential line driver	•	• Push-Pull • Differential line driver
<b>Housing Size (Dia.)</b>	• 51mm (2.0in)	•	• 51mm (2.0in)
<b>Frequency Response or Data Rate</b>	• 100 kHz	•	• 100 kHz
<b>Shaft Speed</b>	• 15000 RPM	•	• 15000 RPM
<b>Mounting</b>	• 5PY	•	• Square flange • English servo
<b>Connections</b>	• Radial connector • Radial cable	•	• Radial connector • Radial cable
<b>Protection</b>	• NEMA 4, 13; IP66	•	• NEMA 4, 13; IP66
<b>Additional Info</b>	• See page 6–48	• See page 6–44	• See page 6–48

					
<b>Accessories</b>	<b>Flexible Couplings</b>	<b>Measuring Wheels</b>	<b>Servo Clamps</b>	<b>Cable Assemblies</b>	<b>Mating Connectors</b>
<b>Additional Info</b>	• See page 6–52	• See page 6–53	• See page 6–53	• See page 6–54	• See page 6–57

				
<b>Accessories</b>	<b>Buffer Board</b>	<b>Serial Parallel Adaptor</b>	<b>Servo Clamps</b>	<b>Mounting Plates</b>
<b>Additional Info</b>	• See page 6–60	• See page 6–51	• See page 6–51	• See page 6–57

# I/O to Encoder Selection Guide

## Accessories

To use this selection guide, scan down the column of the input card or device being used, then look in the column to the right for typical encoders that could

be used in the application. The asterisk ( \* ) is used to represent one character in the catalog number. Complete the encoder catalog number by referring to

the appropriate pages in the catalog. Some absolute encoders typically require an output module to send a latching signal.

Incremental Encoders		Absolute Encoders		
If you have one of these Input Devices:	Select one of these Encoders:	If you have one of these Input Devices:	Select one of these Encoders:	And select one of these Output Modules if necessary:
1395 DC Drive 1746-HSCE 1746-HSTP1 1756-M02AE 1756-HSC 1771-J 1771-QC 1771-VHSC 8200 CNC 8400 CNC 8600 CNC 9 SERIES CNC IMC 110, 120 IMC 121, 123 IMC S-CLASS MAX CONTROL	845F-SJ*Z <sup>4</sup> *Y** 845H-SJ***4**Y** 845K-SA*Z <sup>4</sup> *Y3 845M-***5LD****	1746-IG16 1771-IG 1771-IGD	845D-SJ***4BD*** 845D-SJ***4BN*** 845G-*3**HT**** 845GM-*3**HT****	1771-OG / OGD 1746-OG16
	845P-SHC14-**3 845PY-**-**_*_* 845T-**-13E**_* 845T-**-43E**_* 845T-**-53E**_* 844D-****1** 844D-****4** 844A-**-05D**** 844B-**-05D****	1746-IG16 1771-IG 1771-IGD	845D-SJ***4AG*** 845G-*3G*HT**** 845GM-*3G*HT**** 842A with 842-SPA	None Required
	844D-****1** 844D-****4** 844A-**-05D**** 844B-**-05D****	1746-ITV16 1746-IV8,16,32 1771-IQ, IQ16 1771-IV, IVN 1756-IV16 1794-IV16	845D-SJ**25AG*** 845G-*3G8HC**** 845GM-*3G8HC**** 842A with 842-SPA	None Required
1771-IK	845F-SJ*Z26**Y** ❶ 845H-SJ**26**Y** ❶ 845K-SA*Z25**Y3 845T-**-3****_*_C 844A-**-12C**** 844B-**-12C**** 844D-****5**	1746-ITV16 1746-IV8,16,32 1771-IQ, IQ16 1771-IV, IVN 1756-IV16 1794-IV16	845D-SJ**25BD*** 845D-SJ**25BN*** 845G-*3B8HC**** 845G-*3D8HC**** 845GM-*3B8HC**** 845GM-*3D8HC****	1771-OV 1746-OV 1756-OV16E 1794-OV16
1336 PLUS 1336 FORCE 1336 IMPACT	845S-****	1771-DE	845D-SJ***4A**** 845G-*3**HT**** 845GM-*3**HT****	None Required
MICROLOGIX 1000, 1200, 1500	845T-**-33A**_* 845TK-****_*_* 844D-****5** 844A-**-12C**** 844B-**-12C****	1771-DL	845D-SJ***5AGCW* 845G-*3G8HC0256* 845GM-*3G8HC0256*	None Required
1794-VHSC 1394	845H-SJ**24 845T-**-53 844D-****4** 844A-**-05D**** 844B-**-05D****	4100-AEC AMCI 7561	842A-**** 845G-*3*AHS**** 845GM-*3*AHS****	None Required
		1756-IB16	845G-*3G8LC**** 845GM-*3G8LC**** 845D-SJ**25AG	None Required
1794-ID2 1746-HSCE2 1756HSC 1397	845H-SJ**26 845T-**-63 844D-****2** 844A-**-24D**** 844B-**-24D****	1756-PLS	846-SJDA1CG-R3C	None Required
1747-L**C 1747-L**D 1747L**E	845T-**-31**	1746-ITB16 1746-IB8, IB16, IB32 1771-IQ, IQ16 1771-IB, IBN 1794-IB16 1756-IB16 MicroLogix 1000, 1200, 1500	845G-*3*8HP**** 845GM-*3*8HP****	1771-OV 1746-OV 1756-OV16E 1794-OV16
845-BB-	845F-SJ**14 845H-SJ**14 845K-SA**14 845P-SHC14-** 845T-**-13 844D-****1** 844A-**-05D**** (5V DC Supply)			
	844B-**-05D**** 845F-**-24 845H-SS**24 845K-SA**24 845T-**-43 844D-****4** (12V DC Supply)			

❶ Wire Single Ended Only (no complements)

## Technical Definitions and Terminology

**5PY:** A type of analog DC tachometer with a specific bolt pattern.

**Angular Acceleration:** The rate of change of angular velocity usually expressed in radians per second squared.

**Angular Misalignment:** The maximum amount of angle between the coupled shafts.

**Axial:** The direction parallel to the encoder shaft.

**Axial Compliance:** The maximum amount of machine shaft end play.

**Axial Load:** The maximum amount of force that may be applied to an encoder shaft in a direction parallel to the shaft.

**Blind Shaft:** A hollow shaft encoder which is covered on one end so that the accepted shaft cannot exceed a maximum length. See also "Hollow Shaft" and "Through Shaft."

**Binary:** A number system using 2 as its base (1,2,4,8,16,32,...).

**Binary Coded Decimal (BCD):** A number system where decimal numbers 0 through 9 are represented by 4 binary bits (8,4,2,1).

**Bit:** An abbreviation for binary digit.

**Channel:** An incremental encoder output signal. A dual channel encoder has two outputs.

**Counts Per Turn:** Sometimes referred to as Pulses Per Revolution (PPR), the total number of positions in 360 degrees of shaft rotation.

**Current Sinking:** An output type where signal current flows from the load into the encoder.

**Current Sourcing:** An output type where signal current flows from the encoder into the load.

**Data:** Factual measurement information transmitted by an encoder either in parallel or serial form.

**Decades:** In BCD a decade is comprised of 4 bits (1, 2, 4, 8) representing one decimal place (units, tens, hundreds, etc.).

**Differential:** In digital logic terms a pair of outputs exactly opposite 0, 1 or 180 degrees out of phase.

**Differential Line Driver:** A type of output driver using two signal lines per encoder channel. When used with a differential line receiver, longer cable lengths and higher noise immunity can be provided.

**Duty Cycle:** The ratio of the logic "1" level to the total period of one cycle.

**End Play:** The amount of axial shaft movement with a specified amount of axial load applied.

**Flange:** A square mounting configuration for rotary encoders and resolvers.

**Frequency Response:** The maximum frequency at which all parameters are still in specification.

**Gray Code:** A binary code in which only one bit of the binary word changes for each sequential number or position.

**Heavy Duty:** Encoders with higher shaft loading characteristics are considered heavy duty.

**High Performance:** Encoders with high frequency response and resolution are considered high performance.

**Hollow Shaft:** A shaftless encoder design which mounts on the shaft of a connected device such as a motor. See also "Blind Shaft" and "Through Shaft."

**Impedances:** Impedances, expressed in ohms, are usually specified in rectangular form as  $R + jX$  where R is the sum of the DC and AC resistive components and X is the reactive component.

**Index:** An output signal, also known as a zero marker, which is produced once per revolution. It is used to identify a home position or a reset point.

**Input Current:** The current required to power the internal circuitry of the encoder.

**IP66 (IEC 529):** Provides a degree of protection against dust, and water projected in powerful jets from any direction.

**Load:** A term used to describe the device to which encoder signals are applied.

**Maximum Working Temperature:** A maximum temperature allowed for operation for most applications. Some specifications may not be met. Also see "Operating Temperature."

**Maximum Working Speed:** A maximum speed allowed for operation for most applications. Shaft loading must be minimized. Some specifications may not be met. See also "Operating Speed."

**Moment of Inertia:** The sum of the products formed by multiplying the mass of each element of a figure by the square of its distance from an axis.

**NEMA Type 1:** Type 1 enclosures are intended to provide protection against incidental contact with dirt, dust, lint, fibers, and other nonliquid contaminants.

**NEMA Type 4:** Type 4 enclosures are intended for indoor or outdoor use primarily to provide a degree of protection against windblown dust and rain, splashing water and hose directed water. They are not intended to provide protection against conditions such as internal condensation or internal icing.

**Nosepiece:** The housing that holds the shaft, bearings, and shaft seal.

**Null Voltage:** The residual voltage remaining when the in-phase component of the output voltage is zero.

**Operating Speed:** The maximum shaft RPM allowed at which all specifications are met. See also "Maximum Working Speed."

**Operating Temperature:** The maximum temperature allowed at which all specifications are met.

**Parallel Misalignment:** The maximum amount of distance between the center lines of the coupled shafts.

## Technical Definitions and Terminology

---

**Pulses Per Revolution (PPR):** See counts per turn.

**Push-Pull:** A type of single-ended output driver capable of sinking and sourcing current. Also known as Totem-Pole.

**Quadrature:** Separation in phase by 90°. Used on incremental encoders to denote the direction of motion.

**Radial:** The direction perpendicular to the encoder shaft.

**Radial Load:** The maximum amount of force that may be applied to an encoder shaft in a perpendicular direction.

**Radial Play:** The amount of shaft radial movement with specified radial load.

**Radian:** An arc in any circle, equal in length to the radius of the same circle.

**Resolution:** The measure of the smallest change of input that the encoder can detect.

**Running Torque:** The torque required to keep a shaft rotating at constant velocity, typically measured in inch-ounces.

**Sensitivity:** The output voltage expressed as a function of the shaft angle in millivolts/degree.

**Servo:** A circular mounting configuration that allows for rotation of the encoder for purposes of alignment. Also a common term for a small electric motor.

**Shaft Loading:** The maximum amount of force that may be applied to an encoder shaft typically expressed in pounds (Newtons).

**Shaft Runout:** The amount of radial movement when spinning.

**Shock:** A transient motion which is capable of exciting mechanical resonances.

**Single-Ended:** An output referenced to common which uses only one signal line for data transmission.

**Size 15:** Encoders with a nominal diameter of 1.5 inches (1.625 inch encoders are also classified as size 15).

**Size 20:** Encoders with a nominal diameter of 2.0 inches.

**Size 25:** Encoders with a nominal diameter of 2.5 inches.

**Slew Speed:** The maximum velocity an encoder may be operated without physical damage to the unit.

**Starting Torque:** The torque required to start a shaft rotating, typically measured in inch-ounces.

**Symmetry:** The ratio of the logic "1" level to the total period of one cycle.

**Synchronous Serial Interface or SSI:** A serial communication protocol often used to translate parallel absolute encoder data. Advantages of SSI over parallel wiring include reduced wire count and better noise immunity.

**Through Shaft:** A hollow shaft encoder which is open on both ends so that the accepted shaft length is unlimited. For example, a through shaft encoder allows a motor shaft to protrude through it. See also "Blind Shaft" and "Hollow Shaft."

**Transformation Ratio:** The ratio of the output voltage to the input voltage when the output is at maximum coupling.

**Vibration:** The periodic change in displacement with respect to a fixed reference.

**Zero Reference:** An output signal which is produced once per revolution. It is used to identify a home position or a reset point.



# Bulletin 842A Absolute Multi-Turn Magnetic Encoders

## Synchronous Serial Interface



### Description

Bulletin 842A is a 24-bit absolute multi-turn shaft encoder. It can provide up to maximum of 8192 pulses per turn or a maximum of 8192 turns. It has SSI outputs to reduce cable costs.

The 842A can be interfaced in several ways:

- 1734–SSI Synchronous Serial Interface Absolute Encoder Module
- 842–SPA and 842–CH which converts SSI to parallel data
- 4100–AEC which converts SSI to A quad B data to interface with 1394 GMC/GMC Turbo and S Class Compact motion controllers (see publication 4100–AEC–1.1)
- SLC input module AMCI 7561 which inputs SSI data directly into the module (see Encompass partner AMCI).
- PLC—AMCI 7761H

Synchronous Serial Interface or SSI provides many advantages over traditional parallel wiring. SSI provides 24 bit resolution over 5 wires rather than the usual 24 wires. The use of SSI technology in the Bulletin 842A provides the following customer benefits:

- Greatly reduced wiring cost and complexity
- Greatly improved noise immunity achieved via differential communication format
- Simplified start up
- Choice of gray code or natural binary formats

### Specifications

Electrical	
Code Format	Gray or Natural Binary
Code Direction	CW or CCW
Symmetry	40% to 60%
Operating Voltage	10–30V DC
Power Requirements	30mA @ 24V
Max # of Steps/Revolution	8192
Max # of Revolutions	8192
Position Forming Time	0.15msec
Delay on Power Up	1050msec
Clock +, Clock –, Data +, Data –	Synchronous Serial Interface (SSI)
CW/CCW	“L” active (L = 0–1.5V, H = 3.0 – V <sub>s</sub> )
Reset	Via covered rear button or reset pin

### Mechanical

Angular Acceleration	5 x 10 <sup>5</sup> radians/sec <sup>2</sup>
Moment of Inertia	35gcm <sup>2</sup> (5.0 x 10 <sup>-4</sup> oz-in-sec <sup>2</sup> )
Operating Speed	6000 RPM at max shaft loading
Starting Torque	2.5Ncm (3.5oz-in)
Shaft Loading	Axial 11lb (50N) Radial 67lb (300N)

### Environmental

Housing	Aluminum
Temperature	-20°C to 85°C (-4°F to +185°F)—Operating -40°C to 100°C (-40°F to +212°F)—Storage
Humidity	98% noncondensing
Protection	NEMA Type 4, 13, IP67 (IEC 529): Static Shaft NEMA Type 4, 13, IP66 (IEC 529): Moving Shaft
Shock	100g/6msec
Vibration	20g/10–2000Hz
Approximate Weight	0.5kg (18oz)

### Typical Applications

- Steel mills
- Overhead cranes
- Punch press
- Transfer lines
- Oil rigs
- Wind mills
- Machine Tools
- Packaging

### Accessories

Description	Page Number
Serial Parallel Adaptor Board	6-51
Flexible Couplings	6-52
Measuring Wheels	6-53
Servo Clamps	6-53
Pre-Wired Cables	6-54
Mating Connectors	6-57
Mounting Plates	6-57

# Allen-Bradley Automation

# Bulletin 842A Absolute Multi-Turn Magnetic Encoders

## Synchronous Serial Interface

### Selection Guide

842A — **31** **G** **B**  
*a* *b* *c*

*a*

Mounting Configuration	
Code	Description
31	Servo Mount 10mm Shaft 36mm Pilot
56	Servo Mount 6mm Shaft 50mm Pilot

*b*

Code Type	
Code	Description
G	Gray Code
N	Natural Binary

*c*

Resolution		
Code	Pulses per Revolution	Number of Revolutions
A	8192	2048
B	4096	4096
C	2048	8192
D	4096	512
E	4096	256

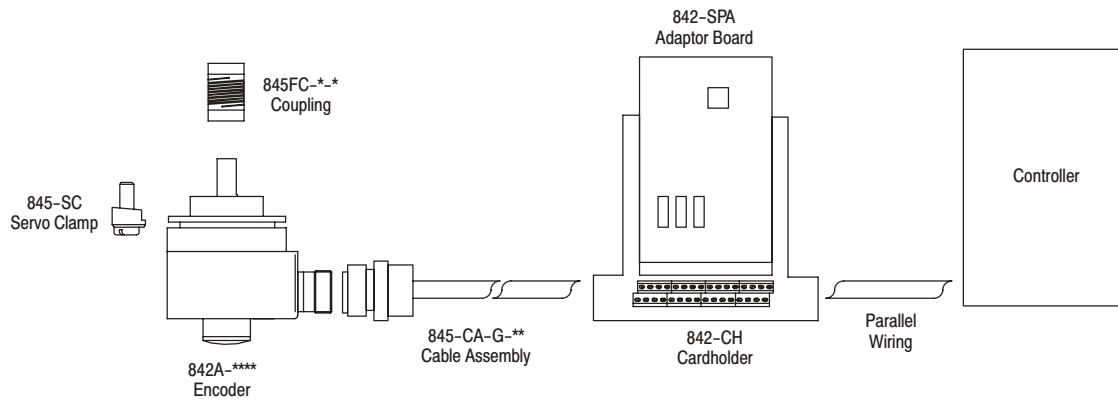
**Note:** The 842A-31GB is a normally stocked item at the Rockwell Automation Control warehouse in Illinois, USA.

### Electrical Connections

The 842A comes with an M23 connector. Order the mating connector separately.

Function	Pin Number
DC Return	1
Data +	2
Clock +	3
DC+ Input	8
Data -	10
Clock -	11
CW/CCW	12
Reset	9

### Typical Application

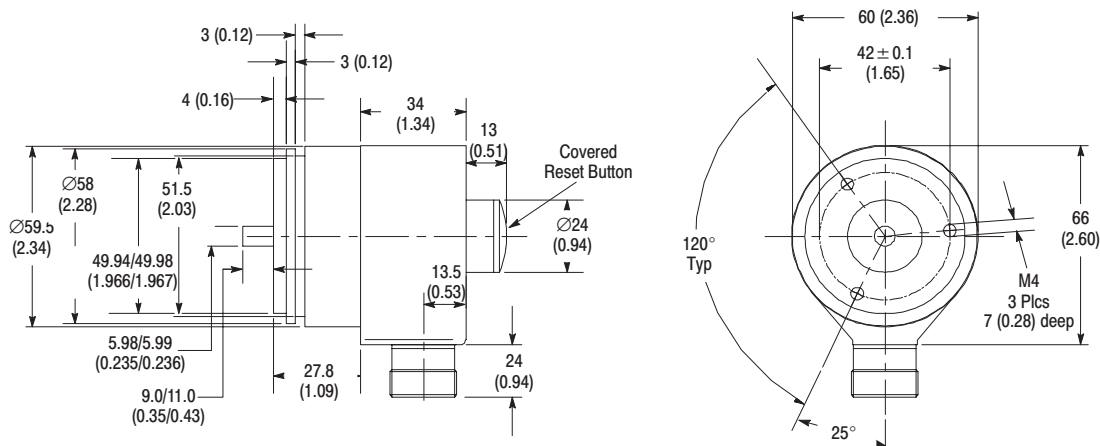




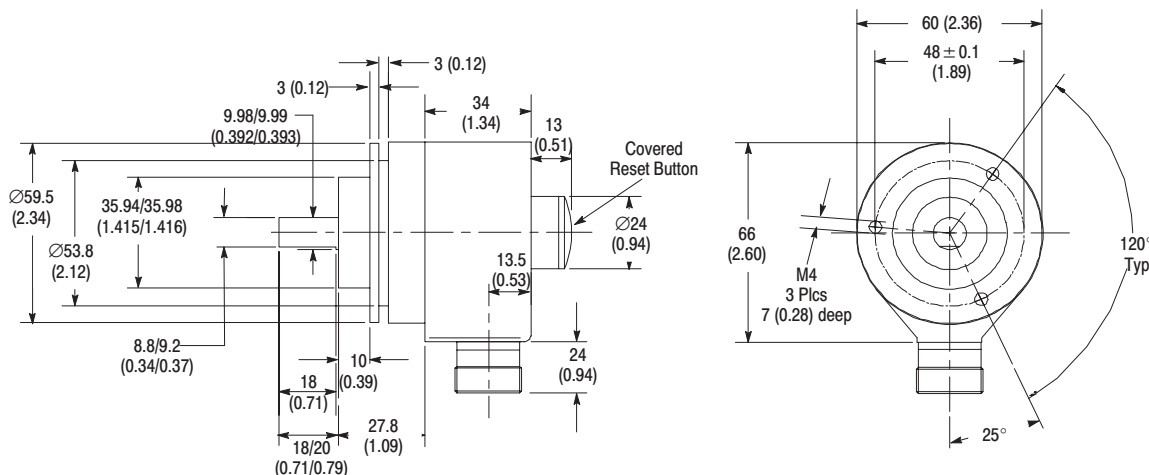
# Bulletin 842A Absolute Multi-Turn Magnetic Encoders

Synchronous Serial Interface

## Dimensions—mm (inches)



Bulletin 842A-56\*\*

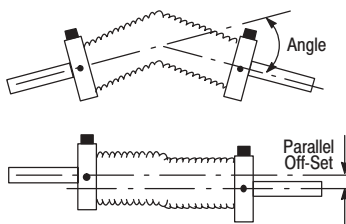


Bulletin 842A-31\*\*



**CAUTION:** Activating the zero reset results in a change of position reading. This can cause unexpected motion which could result in damage to the product, equipment, or personal injury.

### Flexible Shaft Couplings



**ATTENTION:** Rigidly coupling the encoder shaft to the machine shaft **will cause a failure** in either the bearings of the encoder or the bearings of the machine shaft.

## Bulletin 844A & 844B Hollow Shaft Incremental Encoders



### Description

Bulletin 844A blind-shaft and 844B through-shaft incremental encoders are used to electronically monitor the position or speed of a rotating shaft. Shaft position is converted to digital pulses in an A quad B format.

- Blind or through-shaft designs
- Integral flex mount
- 10 to 2500 PPR
- 2" diameter housing

Bulletin 844A and 844B encoders offer a built-in flexible coupling which reduces installation cost and mounting space requirements. Additionally, the Bulletin 844B Encoder is a through-shaft design allowing additional accessories to be mounted to the same shaft. Both families come standard with channels A, B and Z and differential line driver (DLD) outputs. Single-ended outputs are also supported at no additional charge. All support shaft sizes up to 1/2" in diameter. Bulletin 844A and 844B Encoders offer 42 resolution options.

### Specifications

Electrical	
<b>Code Format</b>	2 channels with zero index
<b>Quadrature</b>	90° ±22° channel A leads B CW
<b>Symmetry</b>	40% to 60%
<b>Power Requirements</b>	120mA (no load)
<b>Max Output Frequency</b>	100kHz
<b>Resolution</b>	Up to 2500 pulses per revolution
<b>Integral Cable</b>	457mm (18in)
<b>Output Drivers</b>	RS422 Line driver—3487 Open collector—7406 8-24V Line driver—7272
Mechanical	
<b>Angular Acceleration</b>	50,000 radians/sec <sup>2</sup>
<b>Moment of Inertia</b>	19.4gcm <sup>2</sup> (2.75 x 10 <sup>-4</sup> oz-in-sec <sup>2</sup> )
<b>Maximum Operating Speed</b>	3000rpm at max shaft loading
<b>Permissible Shaft Movement</b>	Radial 0.13mm (0.005in) Axial ±0.76mm (±0.030in)
<b>Shaft Loading</b>	Axial 0.45kg (1lb) Radial 1.36kg (3lb)
<b>Shaft Size</b>	3/8" or 1/2"
Environmental	
<b>Housing</b>	Aluminum
<b>Temperature</b>	0°C to 70°C (+32°F to +158°F)—Operating -20°C to 85°C (-4°F to +185°F)—Storage
<b>Humidity</b>	95% noncondensing
<b>Protection</b>	IP40 (IEC529)
<b>Shock</b>	20g/11ms
<b>Vibration</b>	5g/10-150Hz
<b>Approximate Weight</b>	0.12kg (4oz)

## Bulletin 844A &amp; 844B Hollow Shaft Incremental Encoders

## Selection Guide

844 **A** — **Z3** **05C** **2500**

*a*            *b*            *c*            *d*

*a*

Coupling Options	
Code	Description
A	Front (Blind-Shaft)
B	Rear (Through-Shaft)

*b*

Shaft Options	
Code	Description
Z3	3/8"
Z4	1/2"

*c*

Power Supply & Output <sup>①</sup>	
Code	Description
05D	5V DC In, 5V DC DLD RS-422 Out
05C	5V DC In, NPN Open Collector Out
12C	12V DC In, NPN Open Collector Out
24D	8-24V DC In, 8-24V DC DLD Out

① DLD = Differential Line Driver

*d*

Resolution (PPR)	
Code	Description
0010	10
0020	20
0030	30
0050	50
0060	60
0100	100
0128	128
0150	150
0180	180
0200	200
0240	240
0250	250
0256	256
0300	300
0336	336
0360	360
0400	400
0500	500
0512	512
0600	600
0720	720
0800	800
0900	900
0960	960
1000	1000
1024	1024
1140	1140
1152	1152
1200	1200
1230	1230
1250	1250
1260	1260
1270	1270
1386	1386
1500	1500
1512	1512
1800	1800
1888	1888
2000	2000
2048	2048
2400	2400
2500	2500

## Accessories

Description	Page Number
Differential Encoder Buffer Board	6-60

Allen-Bradley Automation

# Bulletin 844A & 844B Hollow Shaft Incremental Encoders

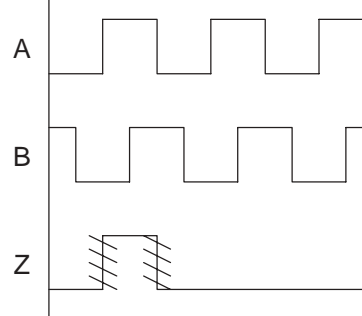
## Electrical Connections

Function	Line Driver Wire Color	Open Collector Wire Color
V DC	Red	Red
Common	Black	Black
A Output	White	White
B Output	Green	Green
Z Output	White/Black	White/Black
$\bar{A}$ Output	Blue	NC
$\bar{B}$ Output	Orange	NC
$\bar{Z}$ Output	Red/Black	NC
Shield	Drain Wire	Drain Wire

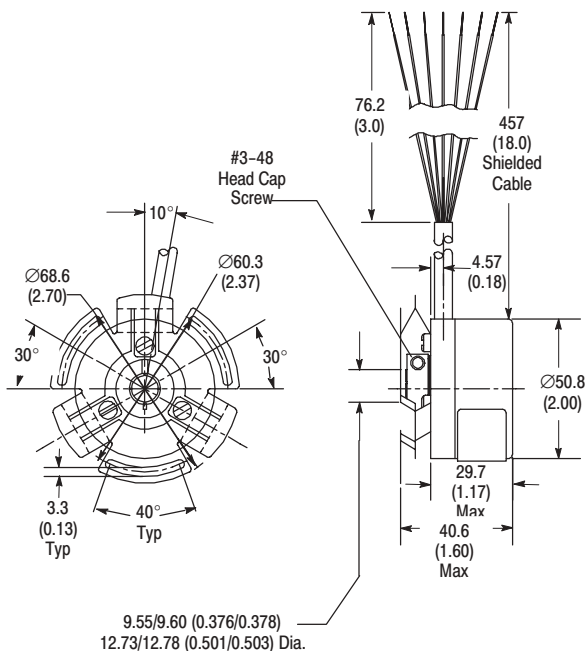
## Output Waveforms

1. Channel A leads Channel B for clockwise rotation when viewed from face of the encoder.
2. Complementary signals (A, B, and Z) are supplied only on units with line drivers.
3. Marker Pulse is nongated and is approximately centered on the positive-going edge of Channel B for clockwise rotation and is  $180^\circ \pm 90^\circ$  wide.

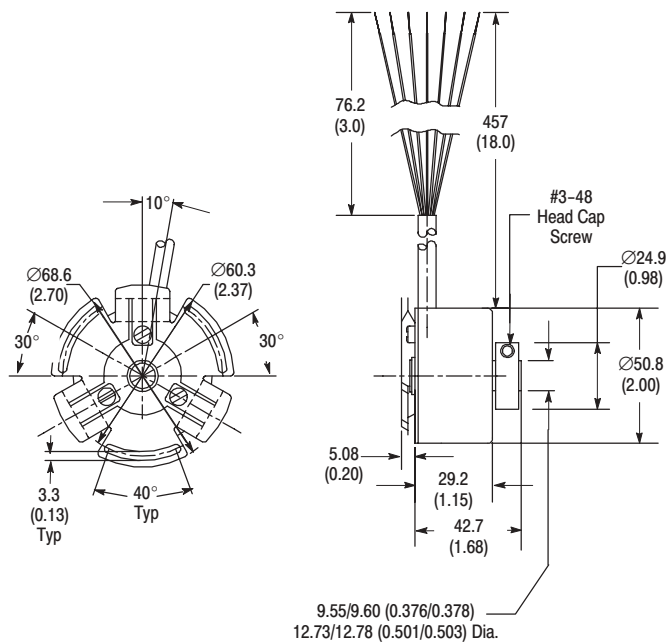
## Channel



## Dimensions—mm (inches)



Bulletin 844A



Bulletin 844B

## 844A Mating Shaft Tolerance—mm (inches)

Bore	Diameter	Length
3/8"	9.50/9.55 (0.374/0.376)	10.7/31 (0.42/1.22)
1/2"	12.67/12.73 (0.499/0.501)	10.7/31 (0.42/1.22)

## 844B Mating Shaft Tolerance—mm (inches)

Bore	Diameter	Length (minimum)
3/8"	9.50/9.55 (0.374/0.376)	41 (1.6)
1/2"	12.67/12.73 (0.499/0.501)	



## Specifications

Electrical	
<b>Code Format</b>	2 channels with zero index
<b>Power Requirements</b>	120mA (no load)
<b>Max Output Frequency</b>	200kHz Push-Pull (120–8192 PPR) 300kHz all other drivers (120–8192 PPR) 600kHz (above 8192 PPR)
<b>Resolution</b>	Up to 16,384 pulses per revolution
<b>Output Drive Capability</b>	3487 Line driver = ± 40mA 4469 Line driver = ± 200mA 7272 Line driver = ± 40mA Push-Pull Single Ended Driver = ± 70mA
Mechanical	
<b>Angular Acceleration</b>	100,000 radians/sec <sup>2</sup>
<b>Starting Torque @ 25°C (77°F)</b>	9.3Ncm (13in-oz)
<b>Running Torque @ 25°C (77°F)</b>	5Ncm (7in-oz)
<b>Moment of Inertia</b>	490gcm <sup>2</sup> (6.9 x x 10 <sup>-3</sup> oz-in-sec <sup>2</sup> )
<b>Slew Speed</b>	3000rpm maximum
<b>Shaft Loading (120–2500 PPR)</b>	Axial 67N (15lbs) Radial 133N (30lbs)
<b>Shaft Loading (4096–16,384 PPR)</b>	Axial 44N (10lbs) Radial 67N (15lbs)
<b>Permissible Shaft Radial Movement</b>	Static +/- 0.5mm (0.02in) Dynamic +/- 0.1mm (0.004in)
<b>Permissible Shaft Axial Movement</b>	Static +/- 0.5mm (0.02in) Dynamic +/- 0.5mm (0.02in)
<b>Bore Size</b>	Supports 1/2 to 1-1/8in & 30mm shafts
Environmental	
<b>Protection</b>	NEMA Type 4, 13, IP66 (IEC 529) except terminal block connection type rated IP40 (IEC 529) only
<b>Housing Material</b>	Aluminum
<b>Temperature</b>	-20°C to 85°C (-4°F to +185°F)—Operating -30°C to 85°C (-22°F to +185°F)—Storage
<b>Humidity</b>	90% noncondensing
<b>Shock</b>	50g for 11ms
<b>Vibration</b>	20g from 5 to 2000Hz
<b>Approximate Weight</b>	0.91kg (2lbs)

## Description

Bulletin 844D blind-shaft and through-shaft incremental encoders are used to electronically monitor the position or speed of a rotating shaft. Shaft position is converted to digital pulses in an A quad B format. A Zero Index Channel is also included with all models.

## Features

- Blind-shaft and through-shaft front coupled models
- Flexible coupler not required
- Adaptor plate not required
- 120 to 16,384 PPR
- 3.5" diameter housing
- Supports 1/2" to 1-1/8" shafts
- Cable, connector or terminal block connection options
- CE marked for all applicable directives

## Accessories

Description	Page Number
Pre-Wired Cables	6-54
Mating Connectors	6-57
Differential Encoder Buffer Board	6-60

## Bulletin 844D Hollow Shaft Incremental Encoders

HS35 Style

## Selection Guide

844D — **A** **5** **A** **C** **1** **CR**  
*a b c d e f*

**a**

Shaft Design	
Code	Description
A	Blind-Shaft
B	Through-Shaft

**b**

Shaft Size ①	
Code	Description
4	1/2"
5	5/8"
6	3/4"
7	7/8"
8	1.0"
9	1-1/8"
M	30mm

- ① Shaft sizes below 1 inch include an insulating insert.
- ② Terminal block unit is not rated for fluid ingress protection (IP40 (IEC 529) only).
- ③ DLD = Differential Line Driver
- ④ 7272 line driver has a voltage drop of 1.9V.
- ⑤ Available with power supply and output options 1, 2, 3, and 4.

**c**

Mounting Configuration	
Code	Description
A	Tether, 1/2" bolt on a 7.25" dia. B.C. (to fit 8 1/2" NEMA C face)
B	Tether, 3/8" bolt on a 5.88" dia. B.C. (to fit 4 1/2" NEMA C face)
C	Tether, 3/8" bolt on a 2.5-4.0" dia. radius
D	Anti-rotation pin

**d**

Connection Type	
Code	Description
C	10 pin connector
T	Terminal block ②
1	1m (3.28ft) cable

**e**

Power Supply & Output⑤	
Code	Description
1	5V DC in, 5V DC DLD out (3487)
2	5-26V DC in, 5-26V DC DLD out (7272) ④
3	5-15V DC in, 5-15V DC DLD out (4469)
4	8-26V DC in, 5V DC DLD out (3487)
5	10-30V DC in, 10-30V DC Push-Pull out

**f**

Resolution	
Code	Description (PPR)
DB	120
CK	360
FW	1024
CS	2048
CR	2500
DS	4096
DR	5000
FS	8192
CV	10000 ⑤
LS	16384 ⑤

## Electrical Connections

Table A: Differential Line Driver Outputs

Function	10-Pin Connector	Shielded Cable	Terminal
Channel A Output	A	White	1
Channel B Output	B	Pink	2
Channel Z Output	C	Violet	7
DC+ Input	D	Red	3
DC Return	F	Blue	4
Case Ground	G	Green	—
Channel A Output	H	Brown	5
Channel B Output	I	Black	6
Channel Z Output	J	Yellow	8

Table B: Push-Pull Outputs

Function	10-Pin Connector	Shielded Cable	Terminal
Channel A Output	A	White	1
Channel B Output	B	Pink	2
Channel Z Output	C	Violet	7
DC+ Input	D	Red	3
DC Return	F	Blue	4
Case Ground	G	Green	—
Not connected	—	Brown	—
Not connected	—	Black	—
Not connected	—	Yellow	—

Note: 10-pin connector type MS3102R18-1P

## Bulletin 844D Hollow Shaft Incremental Encoders

HS35 Style

844D  
Blind-Shaft Tolerance

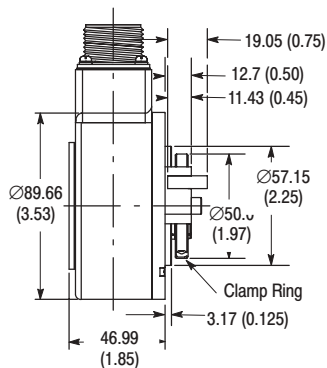
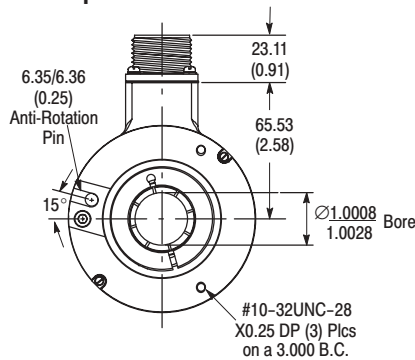
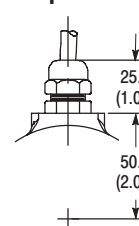
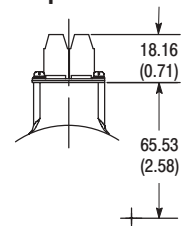
Shaft Size	Bore	Mating Shaft	Length
1/2"	0.500/0.501	0.500/0.499	0.70/2.00
5/8"	0.625/0.626	0.625/0.624	0.70/2.00
3/4"	0.750/0.751	0.750/0.749	0.70/2.00
7/8"	0.875/0.876	0.875/0.874	0.70/2.00
1.0"	1.000/1.001	1.000/0.999	0.70/2.00
1 1/8"	1.125/1.126	1.125/1.124	0.70/2.00
30mm	30.000/30.025mm	30.000/29.975mm	18/50mm

844D  
Through-Shaft Tolerance

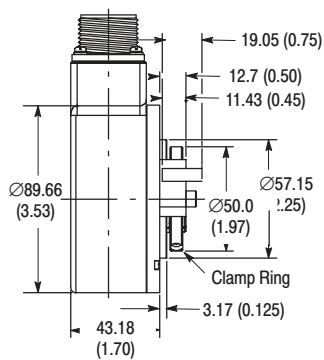
Shaft Size	Bore	Mating Shaft	Length—min.
1/2"	0.500/0.501	0.500/0.499	0.70
5/8"	0.625/0.626	0.625/0.624	0.70
3/4"	0.750/0.751	0.750/0.749	0.70
7/8"	0.875/0.876	0.875/0.874	0.70
1.0"	1.000/1.001	1.000/0.999	0.70
1 1/8"	1.125/1.126	1.125/1.124	0.70
30mm	29.980/29.959mm	30.000/29.975mm	18mm

## Dimensions—mm (inches)

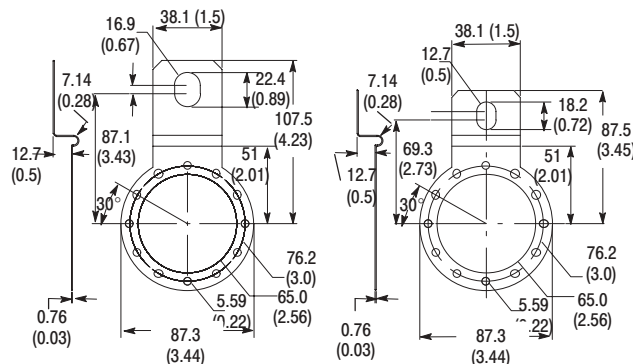
## Blind-Shaft ①

Connector  
OptionCable  
OptionTerminal  
Option

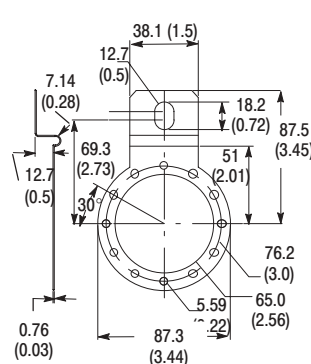
## Through-Shaft ①



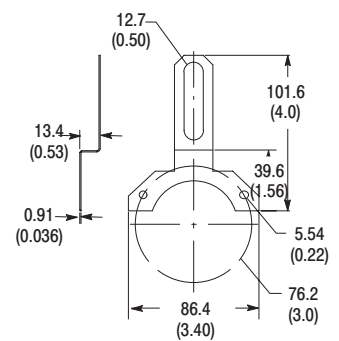
## Tether Option "A"



## Tether Option "B"



## Tether Option "C"



① Shown with optional anti-rotation pin.

Allen-Bradley Automation

Allen-Bradley



**Bulletin 845D Absolute Encoders**

Single-Turn, Size 25



English Servo Mount  
845D-SJHZ14BDCK2

**Description**

The Bulletin 845D is a heavy duty, NEMA Type 4 single-turn absolute position encoder that digitizes shaft angle position into one of a number of absolute code formats. The absolute encoder has a unique digital output for each shaft position. The use of absolute encoders assures that true position is always available, regardless of power interruptions to the system.

The Bulletin 845D provides improved accuracy, increased operating speed and high noise immunity over competitive units. The 845D is housed in a size 25 NEMA Type 4 enclosure to meet the demands of today's industrial environment.

**Features**

- Absolute Gray Code, Natural Binary or BCD output
- Optional latch command input for discrete I/O
- Optional 5V, or 8–24V DC power requirements
- 85°C (185°F) operating temperature
- Electronic zero set pin
- Field-selectable direction control
- CE marked for all applicable directives

**Specifications**

<b>Electrical</b>	
<b>Code Format</b>	Binary Coded Decimal (BCD) Gray Code Natural Binary
<b>Resolution</b>	(Gray and Natural Binary): 256 CPR (8 bit); 512 CPR (9 bit) 1024 CPR (10 bit) (BCD): 360 CPR (10 bit); 1000CPR (12 bit)
<b>Accuracy</b>	±1 bit
<b>Frequency Response</b>	16K words/sec
<b>Power Requirements</b>	Determined by catalog number: 5V DC ±5% @ 400mA maximum 8–24V DC @ 400mA maximum
<b>Output Drive Capability</b>	NPN current sink = 16mA
<b>Output Logic</b>	Parallel BCD, GRAY, or NAT BIN: Logic "0" = 0.0 to 0.6V DC Logic "1" = 3.5 to 5.0V DC (TTL) Logic "1" = 24V DC maximum (Open collector)
<b>Latch Command</b>	Optional with BCD and NAT BIN only: Logic "0" = outputs active (DC common) Logic "1" = outputs latched (+DC or open)
<b>Direction Control</b>	Field selectable for increasing counts (CW or CCW)
<b>Reset</b>	Reset position value to zero (Natural Binary and BCD) or maximum (Gray Code). Only with shaft stationary.
<b>Mechanical</b>	
<b>Starting and Running Torque</b>	2.5 Ncm typical [3.5in-oz]
<b>Shaft Loading</b>	Axial 89N [20lbs]; Radial 178N [40lbs]
<b>Shaft Size</b>	6mm, 10mm, 1/4in, 3/8in diameter
<b>Moment of Inertia</b>	54g-cm <sup>2</sup> (0.3oz-in <sup>2</sup> )
<b>Slew Speed</b>	5000 RPM
<b>Environmental</b>	
<b>Housing</b>	NEMA Type 4, IP66 (IEC 529); NEMA Type 4X on selected models
<b>Temperature</b>	0°C to +85°C (+32°F to +185°F)—operating -25°C to +90°C (-13°F to +194°F)—storage
<b>Humidity</b>	98%, noncondensing
<b>Shock</b>	50g (11ms duration)
<b>Vibration</b>	20g (58 to 150Hz), 1.5mm displacement (10–58Hz)
<b>Approximate Ship Weight</b>	0.91kg (2lbs)

**Accessories**

<b>Description</b>	<b>Page Number</b>
Flexible Couplings	6–52
Measuring Wheels	6–53
Servo Clamps	6–53
Pre-Wired Cables	6–54
Mating Connectors	6–57
Mounting Plates	6–57

## Selection Guide

845D — S J D Z 1 4 B D CK 4  
*a b c d e f g h i*

*a*

NEMA Rating	
Code	Description
J	NEMA 4
X	NEMA 4X ❶

*b*

Mounting Configuration	
Code	Description
D	Square Flange
E	70mm Diameter Flange
F	90mm Diameter Flange
G	Metric Servo 48mm B.C.
H	English Servo
J	Metric Servo 42mm B.C.

*c*

Shaft Options	
Code	Description
A	6mm Diameter
B	10mm Diameter
C	1/4in Diameter
Z	3/8in Diameter
K	6mm w/Flat
L	10mm w/Flat
M	1/4in w/Flat
N	3/8in w/Flat

*d*

Power Supply Options	
Code	Description
1	5V DC ±5%
2	8–24V DC Unregulated

*e*

Output Configuration	
Code	Description
4	5V DC TTL Compatible
5	NPN Open Collector 24V DC Max.

*f*

Latch Options	
Code	Description
A	No Latch
B	Latch (Sink Output Module Compatible)

*g*

Output Code Type	
Code	Description
D	Binary Coded Decimal
G	Gray Code ❷
N	Natural Binary

*h*

Resolution		
Code	Description	
CW	256 ❸	Gray Code or Natural Binary
DW	512 ❸	
FW	1024 ❸	
CK	360 ❹	Binary Coded Decimal
CN	1000 ❹	

*i*

Connector Options	
Code	Description
1	Axial Connector (End) without Mate
2	Radial Connector (Side) without Mate
4	Axial Connector (End) with Mate
5	Radial Connector (Side) with Mate

❶ Available with square flange mounting configuration only.

❷ This option not available with Latch Options code: "B."

❸ These options not available with Output Code Type code: "D."

❹ These options not available with Output Code Type code: "G" & "N."

# Allen-Bradley Automation

**Bulletin 845D Absolute Encoders**

Single-Turn, Size 25

**Electrical Connections**

Pin	Function		
	Gray Code	Natural Binary	BCD (8421)
A	G(0)	2 <sup>0</sup>	1
B	G(1)	2 <sup>1</sup>	2
C	G(2)	2 <sup>2</sup>	4
D	G(3)	2 <sup>3</sup>	8
E	G(4)	2 <sup>4</sup>	10
F	G(5)	2 <sup>5</sup>	20
G	G(6)	2 <sup>6</sup>	40
H	G(7)	2 <sup>7</sup>	80
J	G(8)	2 <sup>8</sup>	100
K	G(9)	2 <sup>9</sup>	200
L	MSB Complement	Not Used	400
M	Not Used	Not Used	800
N	Not Used	Not Used	Not Used
P	Not Used	Not Used	Not Used
R	Not Used	Direction Control	Direction Control
S	Reset	Reset	Reset
T	DC Return	DC Return	DC Return
U	Not Used	Latch Control	Latch Control
V	DC+ Input	DC+ Input	DC+ Input

**Direction Pin**

The Direction Pin can change function with code type. In parallel type Gray Code encoders, its function is Most significant Bit Complement or MSBC for short. In Natural Binary and Binary Coded Decimal encoders, its function is Direction Control.

**Direction Control ①****Natural Binary and BCD**

A logic "1" (+DC or open) on the direction control pin will produce increasing counts with a counterclockwise rotation of the shaft. A logic "0" (DC common) on the direction control pin will produce increasing counts with a clockwise rotation of the shaft.

**Gray Code (parallel only)**

Counterclockwise rotation of the shaft will produce increasing counts. For increasing counts with a clockwise rotation, use the Most Significant Bit Complement Pin instead of the Most Significant Bit Pin. See Electrical Connection table for pin designation.



**ATTENTION:** For parallel gray code: connecting the MSB or MSBC to +DC will result in permanent damage to the encoder.

**Reset Pin**

The shaft must be stationary before using the reset function. Connecting the

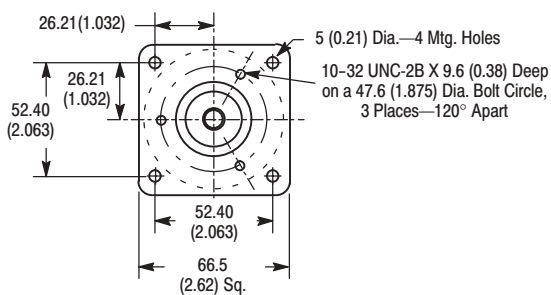
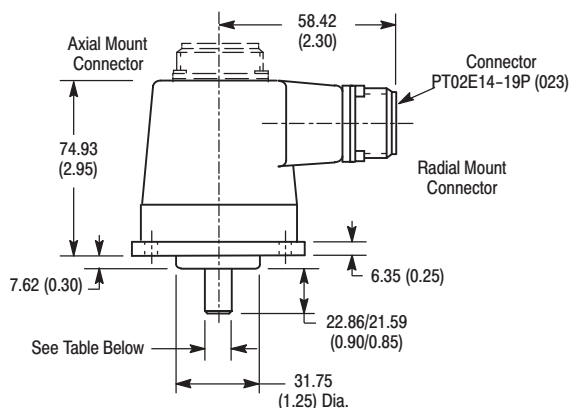
Reset Pin to +DC will reset Natural Binary and BCD position value to zero. Connecting the Reset Pin to +DC will reset Gray Code position value to maximum (e.g., 255, 511, 1023, etc.) if MSBC is used, to zero if MSB is used. The reset function requires a connection to +DC for 0.1 seconds or longer.



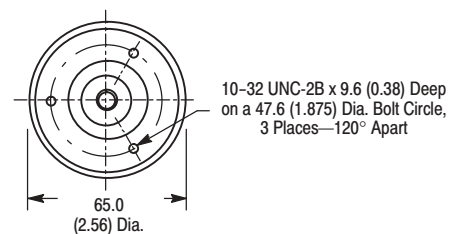
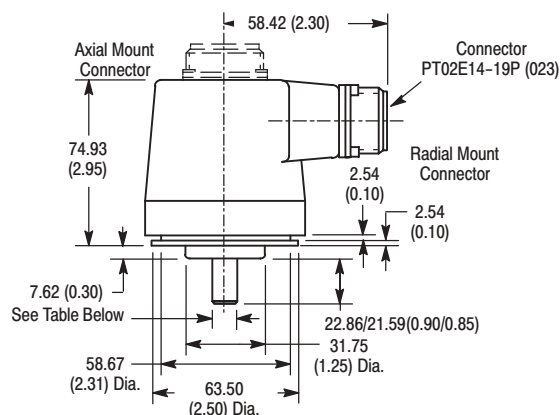
**ATTENTION:** Activating the Reset Pin results in a change of position reading. This can cause unexpected motion which could result in damage to the product, equipment, or personal injury.

① Rotation is viewed from the end of the encoder shaft.

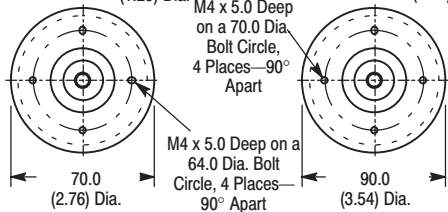
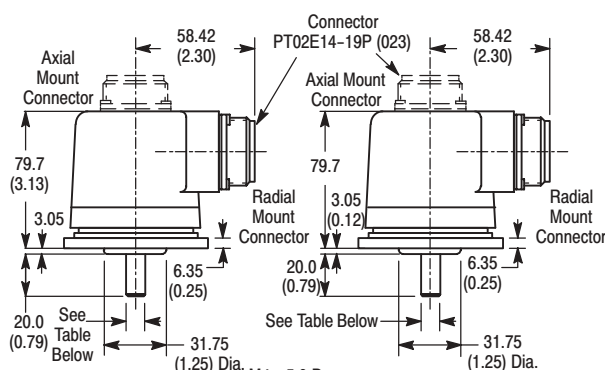
Dimensions—mm (inches)



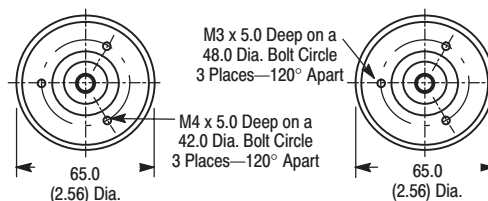
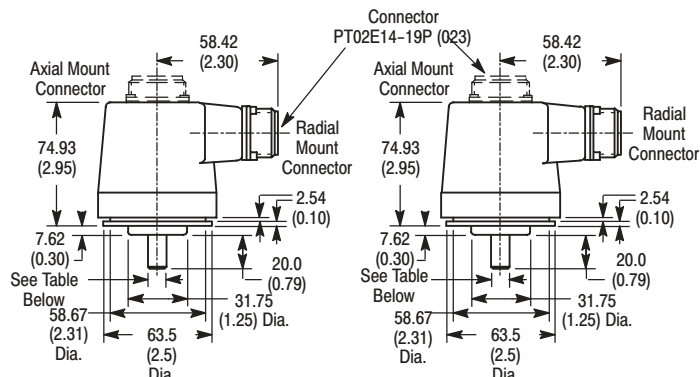
Square Flange Mount



English Servo Mount



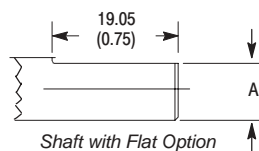
Metric Flange Mount



Metric Servo Mount

Shaft Diameter Options

Code	Shaft Diameter
A or K	6mm +0.00mm, -0.013mm
B or L	10mm +0.00mm, -0.013mm
C or M	6.35(0.2499) +0.0000, -0.0005
Z or N	9.52 (0.3749) +0.0000, -0.0005



Flat Dimensions

Code	Dimension "A"
K	5.3mm (0.21in)
L	9.1mm (0.36in)
M	5.5mm (0.22in)
N	8.6mm (0.34in)

**Bulletin 845F Incremental Encoders**

Size 25, High Performance with Integral Shaft Coupling



High Performance Coupling  
845F-SJGZ14FWY2

**Description**

The Bulletin 845F is an optical incremental encoder that provides digital feedback corresponding to the position of a rotating shaft. This feedback is compatible with Programmable Controllers, Numerical Controllers, Motion Controllers, and other positioning systems.

The 845F provides code disk resolution up to 5000 pulses per revolution, frequency response of 210 kHz, and high immunity to electromagnetic interference. Housed in a rugged, size 25, NEMA Type 4 and 13, IP66 (IEC 529), aluminum enclosure, the 845F has a flange mount with integral coupling for ease of installation in harsh industrial environments.

**Features**

- Code disk resolution up to 5000 PPR
- Optional sink, source, open collector or differential line driver output configurations
- 210kHz operating frequency
- Input reverse polarity protection
- CE marked for all applicable directives

**Specifications**

<b>Electrical</b>	
<b>Code Format</b>	Incremental, 2 channels with zero index
<b>Quadrature</b>	90° ±22°; Channel A leads B CCW
<b>Symmetry</b>	50% ±10%
<b>Zero Index Channel</b>	1/2 cycle, gated to channel B̄
<b>Power Requirements</b>	Determined by catalog number: 5V DC ±5% @ 150mA maximum 8-24V DC @ 150mA maximum
<b>Frequency Response</b>	Data: 210kHz      Zero index: 125kHz
<b>Operating Speed (Data)</b>	(210kHz x 60)/pulses per rev. = RPM or 6000 RPM, whichever is lower
<b>Resolution</b>	Up to 5000 PPR on code disk
<b>Output Drive Compatibility</b>	PNP current source = 20mA; NPN current sink = 20mA; Differential line driver = ±20mA; NPN open collector = 20mA
<b>Mechanical</b>	
<b>Starting and Running Torque</b>	2.5Ncm typical [3.5in-oz]
<b>Moment of Inertia</b>	27gcm <sup>2</sup> (3.9 x 10 <sup>-4</sup> oz-in-sec <sup>2</sup> )
<b>Slew Speed</b>	6000 RPM
<b>Angular Shaft Misalignment</b>	5° standard, 10° high performance
<b>Parallel Shaft Misalignment</b>	0.010in standard, 0.020in high performance
<b>Coupling Axial Compliance</b>	±0.030in standard, ±0.060in high performance
<b>Coupling Bore Size</b>	9.517mm[3/8in] or 6.4mm [1/4in] dia.
<b>Environmental</b>	
<b>Housing</b>	NEMA Type 4,13, IP66 (IEC 529)
<b>Temperature</b>	0°C to +60°C (+32°F to +140°F)—operating -25°C to +90°C (-13°F to +194°F)—storage
<b>Humidity</b>	98%, noncondensing
<b>Shock</b>	50g (11ms duration)
<b>Vibration</b>	20g (5 to 2000Hz)
<b>Approximate Ship Weight</b>	0.91kg (2lbs)

**Accessories**

<b>Description</b>	<b>Page Number</b>
Pre-Wired Cables	6-54
Mating Connectors	6-57
Differential Encoder Buffer Board	6-60



# Bulletin 845F Incremental Encoders

Size 25, High Performance with Integral Shaft Coupling

## Electrical Connections

### 7-Pin Connector (ACS02E16S-1P (023))

Current Source, Current Sink,  
Open Collector Outputs

Pin	Function	Pin	Function
A	Channel A Output	E	—
B	Channel B Output	F	DC Return
C	Channel Z Output	G	Case Ground
D	DC+ Input	—	—

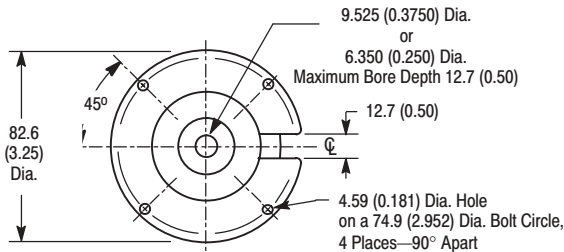
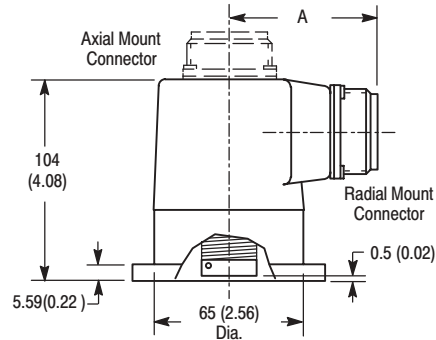
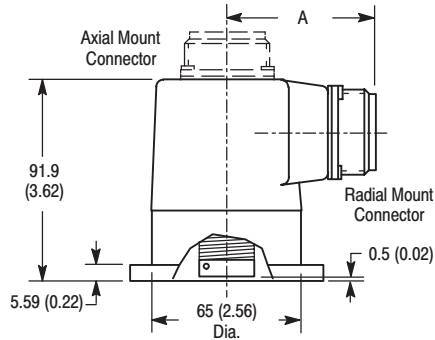
### 10-Pin Connector (ACS02E18-1P (023))

Differential Line-Driver Outputs

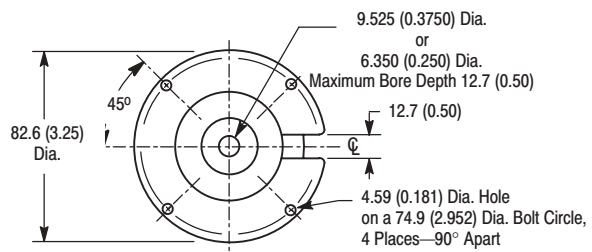
Pin	Function	Pin	Function
A	Channel A Output	F	DC Return
B	Channel B Output	G	Case Ground
C	Channel Z Output	H	Channel A Output
D	DC+ Input	I	Channel B Output
E	—	J	Channel Z Output

ⓘ Pins D and E internally connected

## Dimensions—mm (inches)



Standard Coupling



High Performance Coupling

### Connector Type

Output Code	Output Type	Connector Type	Number of Pins	Dimension "A"
2	Current Source	ACS02E16S-1P (023)	7	63 (2.48)
3	Current Sink	ACS02E16S-1P (023)	7	63 (2.48)
4	Diff. Line Driver	ACS02E18-1P (023)	10	73.9 (2.91)
5	Open Collector	ACS02E16S-1P (023)	7	63 (2.48)

## Cable

Current Source, Current Sink,  
Open Collector Outputs

Wire Pair	Wire Color	Function
Red/Black	Red	DC+ Input
	Black	DC Return
White/Black	White	Channel A Output
	Black	Not Connected
Blue/Black	Blue	Channel B Output
	Black	Not Connected
Green/Black	Green	Channel Z Output
	Black	Not Connected

Differential Line Driver Outputs

Wire Pair	Wire Color	Function
Red/Black	Red	DC+ Input
	Black	DC Return
White/Black	White	Channel A Output
	Black	Channel A Output
Blue/Black	Blue	Channel B Output
	Black	Channel B Output
Green/Black	Green	Channel Z Output
	Black	Channel Z Output





English Servo Mount  
845G-S3G5HC1024R



## Specifications

Electrical	
<b>Code Format</b>	Binary Coded Decimal (parallel only) Gray Code or Natural Binary (parallel or SSI)
<b>Resolution Counts per Rev. (CPR)</b>	256 CPR (8 bit)                      2048 CPR (11 bit) 360 CPR (9 or 10 bit)              4096 CPR (12 bit) 512 CPR (9 bit)                      8192 CPR (13 bit) 1000 CPR (12 bit BCD)              16384 CPR (14 bit) 1024 CPR (10 bit)                    32768 CPR (15 bit)
<b>Accuracy</b>	±1 bit
<b>Frequency Response</b>	16K words/sec
<b>Power Requirements</b>	Determined by Catalog Number: 5V DC ±5% @ 150mA maximum 8-24V DC @ 150mA maximum 10-30V DC @ 150mA maximum
<b>Output Drive Capability</b>	16mA
<b>Output Logic</b>	Parallel Gray, Natural Binary or Binary Coded Decimal (BCD) Logic "0" = 0.0 to 0.6V DC Logic "1" = 3.5 to 5V DC (TTL) Logic "1" = 24V DC maximum (Open Collector) SSI RS-422 compatible
<b>Latch Command</b>	Standard with Natural Binary and BCD Logic "0" = outputs active (DC common) Logic "1" = outputs latched (+DC or open)
<b>Direction Control</b>	Field selectable for increasing counts (CW or CCW)
<b>Reset</b>	Reset position value to zero (Natural Binary and BCD) or maximum (Gray Code). Only with shaft stationary.
Mechanical	
<b>Starting Torque</b>	3.5 in.-oz. Typical [0.025 N•m]
<b>Running Torque</b>	3.5 in.-oz. Typical [0.025 N•m]
<b>Shaft Loading</b>	Axial 20 lbs. [89 N] Radial 40 lbs. [178 N]
<b>Shaft Size</b>	3/8 inch diameter [9.517mm] w/flat
<b>Moment of Inertia</b>	0.08 oz.-in. <sup>2</sup> maximum
<b>Slew Speed</b>	5000RPM
Environmental	
<b>Housing</b>	NEMA Type 4, 13, IP66 (IEC 529)
<b>Temperature</b>	0°C to +85°C (+32°F to +185°F)—Operating -20°C to +85°C (-4°F to +185°F)—Max Working -40°C to +100°C (-40°F to +212°F)—Storage
<b>Humidity</b>	98%, Noncondensing
<b>Shock</b>	50g (11ms duration)
<b>Vibration</b>	20g (58-150Hz), 1.5mm displacement (10-58Hz)
<b>Approximate Shipping Weight</b>	2lbs. (0.91kg)

## Description

Bulletin 845G is a heavy duty NEMA Type 4 and 13 single-turn absolute encoder that digitizes shaft position. The absolute encoder has a unique digital output for each shaft position. The use of absolute encoders assures that true position is available, regardless of power interruptions.

## Features

- Absolute Gray Code, Natural Binary or Binary Coded Decimal
- 8–15 bit resolution (256 to 32,768)
- Open collector, TTL, push-pull or SSI outputs
- Low or high true output optional
- NEMA Type 4 and 13
- Reverse polarity protection
- 85°C operating temperature
- CE marked for all applicable directives

## Accessories

Description	Catalog Number	Number of Pins	Mating Connector	Pre-Wired Cable
High Performance Flexible Coupling	845-FC-**-*	12	845-12P	845-CA-G-**-**
Measuring Wheels	845-MW-A-*	17	845-17P	845-CA-H-**-**
Servo Clamps	845-SC	19	845-SCD	845-CA-D-**-**

For additional information, see the C114 Sensors catalog.

# Bulletin 845G Absolute Encoders

Single-Turn, Size 25

## Selection Guide

**845G** — **F** **3** **G** **8** **H** **C** **1024** **R**  
*a b c d e f g*

*a*

Mounting Configuration	
Code	Description
F	Square Flange
S	English Servo

*b*

Output Code Type ❶	
Code	Description
B	Natural Binary
D	Binary Coded Decimal ❷
G	Gray Code

*c*

Power Supply	
Code	Description
5	5V DC ±5%
8	8–24V DC
A	10–30V DC ❸

*d*

Output Logic	
Code	Description
H	High True
L	Low True ❹

*e*

Output Configuration	
Code	Description
C	NPN Open Collector 24V DC Max
P	Push-Pull (7272) ❺
S	SSI Output ❻
T	5V DC TTL NPN

*f*

Resolution	
Code	Description
0256	8 bit/0–255
0360	9 or 10 bit/0–359 ❻
0512	9 bit/0–511
1000	12 bit/0–999 BCD only
1024	10 bit/0–1023
2048	11 bit/0–2047
4096	12 bit/0–4095
8192	13 bit/0–8191
016K	14 bit/0–16,383
032K	15 bit/0–32,767

*g*

Connector Options	
Code	Description
A	Axial 19-Pin
R	Radial 19-Pin
S	Axial 17-pin
T	Axial 12-Pin ❼
U	Radial 12-Pin ❼

- ❶ Latch control available with Natural Binary and Binary Coded Decimal only.
- ❷ BCD output available in 0360 and 1000 resolutions only. Not available with SSI output.
- ❸ 10–30V DC power supply may only be ordered together with either Push–Pull or SSI output.
- ❹ Not available with push-pull output. Output logic inverted.
- ❺ Not available with BCD. Latch not available.
- ❻ Excess 76 used for 9 bit gray code. BCD is 10 bit.
- ❼ Only available with SSI output.

## Electrical Connections—17 Pin Connector (All code types)

Pin	845-CA-H- Wire Color	8192 (13 Bit)	1000 BCD or 4096 (12 Bit)	2048 (11 Bit)	360 BCD or 1024 (10 Bit)	512 (9 Bit)	360 (9 Bit)	0256 (8 Bit)
A	White/Orange	G(0) or 2 <sup>0</sup>	G(0) or 2 <sup>0</sup>	G(0) or 2 <sup>0</sup>	G(0) or 2 <sup>0</sup>	G(0) or 2 <sup>0</sup>	G(0) or 2 <sup>0</sup>	G(0) or 2 <sup>0</sup>
B	White	G(1) or 2 <sup>1</sup>	G(1) or 2 <sup>1</sup>	G(1) or 2 <sup>1</sup>	G(1) or 2 <sup>1</sup>	G(1) or 2 <sup>1</sup>	G(1) or 2 <sup>1</sup>	G(1) or 2 <sup>1</sup>
C	Gray	G(2) or 2 <sup>2</sup>	G(2) or 2 <sup>2</sup>	G(2) or 2 <sup>2</sup>	G(2) or 2 <sup>2</sup>	G(2) or 2 <sup>2</sup>	G(2) or 2 <sup>2</sup>	G(2) or 2 <sup>2</sup>
D	Violet	G(3) or 2 <sup>3</sup>	G(3) or 2 <sup>3</sup>	G(3) or 2 <sup>3</sup>	G(3) or 2 <sup>3</sup>	G(3) or 2 <sup>3</sup>	G(3) or 2 <sup>3</sup>	G(3) or 2 <sup>3</sup>
E	Blue	G(4) or 2 <sup>4</sup>	G(4) or 2 <sup>4</sup>	G(4) or 2 <sup>4</sup>	G(4) or 2 <sup>4</sup>	G(4) or 2 <sup>4</sup>	G(4) or 2 <sup>4</sup>	G(4) or 2 <sup>4</sup>
F	Yellow	G(5) or 2 <sup>5</sup>	G(5) or 2 <sup>5</sup>	G(5) or 2 <sup>5</sup>	G(5) or 2 <sup>5</sup>	G(5) or 2 <sup>5</sup>	G(5) or 2 <sup>5</sup>	G(5) or 2 <sup>5</sup>
G	Orange	G(6) or 2 <sup>6</sup>	G(6) or 2 <sup>6</sup>	G(6) or 2 <sup>6</sup>	G(6) or 2 <sup>6</sup>	G(6) or 2 <sup>6</sup>	G(6) or 2 <sup>6</sup>	G(6) or 2 <sup>6</sup>
H	Brown	G(7) or 2 <sup>7</sup>	G(7) or 2 <sup>7</sup>	G(7) or 2 <sup>7</sup>	G(7) or 2 <sup>7</sup>	G(7) or 2 <sup>7</sup>	G(7) or 2 <sup>7</sup>	G(7) or 2 <sup>7</sup>
J	White/Violet	G(8) or 2 <sup>8</sup>	G(8) or 2 <sup>8</sup>	G(8) or 2 <sup>8</sup>	G(8) or 2 <sup>8</sup>	G(8) or 2 <sup>8</sup>	G(8) or 2 <sup>8</sup>	N/C
K	White/Brown	G(9) or 2 <sup>9</sup>	G(9) or 2 <sup>9</sup>	G(9) or 2 <sup>9</sup>	G(9) or 2 <sup>9</sup>	N/C	N/C	N/C
L	White/Green	G(10) or 2 <sup>10</sup>	G(10) or 2 <sup>10</sup>	G(10) or 2 <sup>10</sup>	N/C	N/C	N/C	Reset
M	White/Yellow	G(11) or 2 <sup>11</sup>	G(11) or 2 <sup>11</sup>	N/C	N/C	N/C	N/C	Direction ②
N	White/Red	G(12) or 2 <sup>12</sup>	Reset	Reset	Reset	Reset	Reset	Latch Control ①
P	White/Blue	Latch Control ①	Latch Control ①	Latch Control ①	Latch Control ①	Latch Control ①	Latch Control ①	N/C
R	Black	DC Common	DC Common	DC Common	DC Common	DC Common	DC Common	DC Common
S	Red	+DC	+DC	+DC	+DC	+DC	+DC	+DC
T	Green	Direction ②	Direction ②	Direction ②	Direction ②	Direction ②	Direction ②	Case Ground

## Electrical Connections—19 Pin Connector (Gray code or natural binary)

Pin	845-CA-D- Wire Color	32768 (15 Bit)	16384 (14 Bit)	8192 (13 Bit)	4096 (12 Bit)	2048 (11 Bit)	1024 (10 Bit)	360 and 512 (9 Bit)	0256 (8 Bit)
A	Brown	G(0) or 2 <sup>0</sup>	G(0) or 2 <sup>0</sup>	G(0) or 2 <sup>0</sup>	N/C	N/C	G(0) or 2 <sup>0</sup>	G(0) or 2 <sup>0</sup>	G(0) or 2 <sup>0</sup>
B	Orange	G(1) or 2 <sup>1</sup>	G(1) or 2 <sup>1</sup>	G(1) or 2 <sup>1</sup>	G(0) or 2 <sup>0</sup>	N/C	G(1) or 2 <sup>1</sup>	G(1) or 2 <sup>1</sup>	G(1) or 2 <sup>1</sup>
C	Yellow	G(2) or 2 <sup>2</sup>	G(2) or 2 <sup>2</sup>	G(2) or 2 <sup>2</sup>	G(1) or 2 <sup>1</sup>	G(0) or 2 <sup>0</sup>	G(2) or 2 <sup>2</sup>	G(2) or 2 <sup>2</sup>	G(2) or 2 <sup>2</sup>
D	Green	G(3) or 2 <sup>3</sup>	G(3) or 2 <sup>3</sup>	G(3) or 2 <sup>3</sup>	G(2) or 2 <sup>2</sup>	G(1) or 2 <sup>1</sup>	G(3) or 2 <sup>3</sup>	G(3) or 2 <sup>3</sup>	G(3) or 2 <sup>3</sup>
E	Blue	G(4) or 2 <sup>4</sup>	G(4) or 2 <sup>4</sup>	G(4) or 2 <sup>4</sup>	G(3) or 2 <sup>3</sup>	G(2) or 2 <sup>2</sup>	G(4) or 2 <sup>4</sup>	G(4) or 2 <sup>4</sup>	G(4) or 2 <sup>4</sup>
F	Violet	G(5) or 2 <sup>5</sup>	G(5) or 2 <sup>5</sup>	G(5) or 2 <sup>5</sup>	G(4) or 2 <sup>4</sup>	G(3) or 2 <sup>3</sup>	G(5) or 2 <sup>5</sup>	G(5) or 2 <sup>5</sup>	G(5) or 2 <sup>5</sup>
G	Gray	G(6) or 2 <sup>6</sup>	G(6) or 2 <sup>6</sup>	G(6) or 2 <sup>6</sup>	G(5) or 2 <sup>5</sup>	G(4) or 2 <sup>4</sup>	G(6) or 2 <sup>6</sup>	G(6) or 2 <sup>6</sup>	G(6) or 2 <sup>6</sup>
H	White	G(7) or 2 <sup>7</sup>	G(7) or 2 <sup>7</sup>	G(7) or 2 <sup>7</sup>	G(6) or 2 <sup>6</sup>	G(5) or 2 <sup>5</sup>	G(7) or 2 <sup>7</sup>	G(7) or 2 <sup>7</sup>	G(7) or 2 <sup>7</sup>
J	White/Orange	G(8) or 2 <sup>8</sup>	G(8) or 2 <sup>8</sup>	G(8) or 2 <sup>8</sup>	G(7) or 2 <sup>7</sup>	G(6) or 2 <sup>6</sup>	G(8) or 2 <sup>8</sup>	G(8) or 2 <sup>8</sup>	N/C
K	White/Brown	G(9) or 2 <sup>9</sup>	G(9) or 2 <sup>9</sup>	G(9) or 2 <sup>9</sup>	G(8) or 2 <sup>8</sup>	G(7) or 2 <sup>7</sup>	G(9) or 2 <sup>9</sup>	N/C	N/C
L	White/Red	G(10) or 2 <sup>10</sup>	G(10) or 2 <sup>10</sup>	G(10) or 2 <sup>10</sup>	G(9) or 2 <sup>9</sup>	G(8) or 2 <sup>8</sup>	Direction ②	Direction ②	Direction ②
M	White/Yellow	G(11) or 2 <sup>11</sup>	G(11) or 2 <sup>11</sup>	G(11) or 2 <sup>11</sup>	G(10) or 2 <sup>10</sup>	G(9) or 2 <sup>9</sup>	N/C	N/C	N/C
N	White/Green	G(12) or 2 <sup>12</sup>	G(12) or 2 <sup>12</sup>	G(12) or 2 <sup>12</sup>	G(11) or 2 <sup>11</sup>	G(10) or 2 <sup>10</sup>	N/C	N/C	N/C
P	White/Blue	G(13) or 2 <sup>13</sup>	G(13) or 2 <sup>13</sup>	N/C	Direction ②	Direction ②	N/C	N/C	N/C
R	White/Black	G(14) or 2 <sup>14</sup>	Reset	Reset	Reset	Reset	Reset	Reset	Reset
S	White/Violet	Direction ②	Direction ②	Direction ②	N/C	N/C	N/C	N/C	N/C
T	Black	DC Common	DC Common	DC Common	DC Common	DC Common	DC Common	DC Common	DC Common
U	White/Gray	Latch Control ①	Latch Control ①	Latch Control ①	Latch Control ①	Latch Control ①	Latch Control ①	Latch Control ①	Latch Control ①
V	Red	+DC	+DC	+DC	+DC	+DC	+DC	+DC	+DC

① Latch control not available with Gray Code or SSI output. On Gray Code encoders this pin is not connected (N/C).

② The Direction pin function is either Direction Control or MSBC. See next page for further detail.

# Allen-Bradley Automation

# Bulletin 845G Absolute Encoders

Single-Turn, Size 25

## Electrical Connections—19 Pin Connector (Binary Coded Decimal)

Pin	845-CA-D-__ Wire Color	1000 BCD (12 Bit)	360 BCD (10 Bit)
V	Red	+DC	+DC
A	Brown	1	1
B	Orange	2	2
C	Yellow	4	4
D	Green	8	8
E	Blue	10	10
F	Violet	20	20
G	Gray	40	40
H	White	80	80
J	White/Orange	100	100
K	White/Brown	200	200
L	White/Red	400	N/C
M	White/Yellow	800	N/C
N	White/Green	N/C	N/C
P	White/Blue	N/C	N/C
R	White/Black	Direction Control	Direction Control
S	White/Violet	Reset	Reset
T	Black	DC Common	DC Common
U	White/Gray	Latch Control	Latch Control

## Electrical Connections for SSI Output—12 Pin Connector

Catalog Number	Wire Pair	Wire Color	Function	Pin
845-CA-G-__ (With 12 pin connector)	Red/Black/Shield	Red	+DC Input	8
		Black	DC Common	1
	White/Black/Shield	White	Clock +	3
		Black	Clock -	11
	Blue/Black/Shield	Blue	Data +	2
		Black	Data -	10
	Green/Black/Shield	Green	CW/CCW	12
		Black	Reset	9


### Direction Pin

The Direction Pin can change function with code type. In parallel type Gray Code encoders, its function is Most significant Bit Complement or MSBC for short. In Natural Binary, Binary Coded Decimal and Gray Code SSI encoders, its function is Direction Control.

### Direction Control

#### Natural Binary and BCD

A logic "1" (+DC or open) on the direction control pin will produce increasing counts with a counterclockwise rotation of the shaft. A logic "0" (DC common) on the direction control pin will produce increasing counts with a clockwise rotation of the shaft.

 Rotation is viewed from the end of the encoder shaft.

### Gray Code (SSI)

A logic "1" (+DC or open) on the direction control pin will produce increasing counts with a clockwise rotation of the shaft. A logic "0" (DC common) on the direction control pin will produce increasing counts with a counterclockwise rotation of the shaft.

### Gray Code (parallel)

Counterclockwise rotation of the shaft will produce increasing counts. For increasing counts with a clockwise rotation, use the Most Significant Bit Complement Pin instead of the Most Significant Bit Pin. See Electrical Connection table for pin designation.



**ATTENTION:** For parallel gray code: connecting the MSB or MSBC to +DC will result in permanent damage to the encoder.

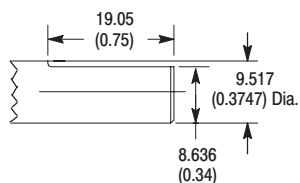
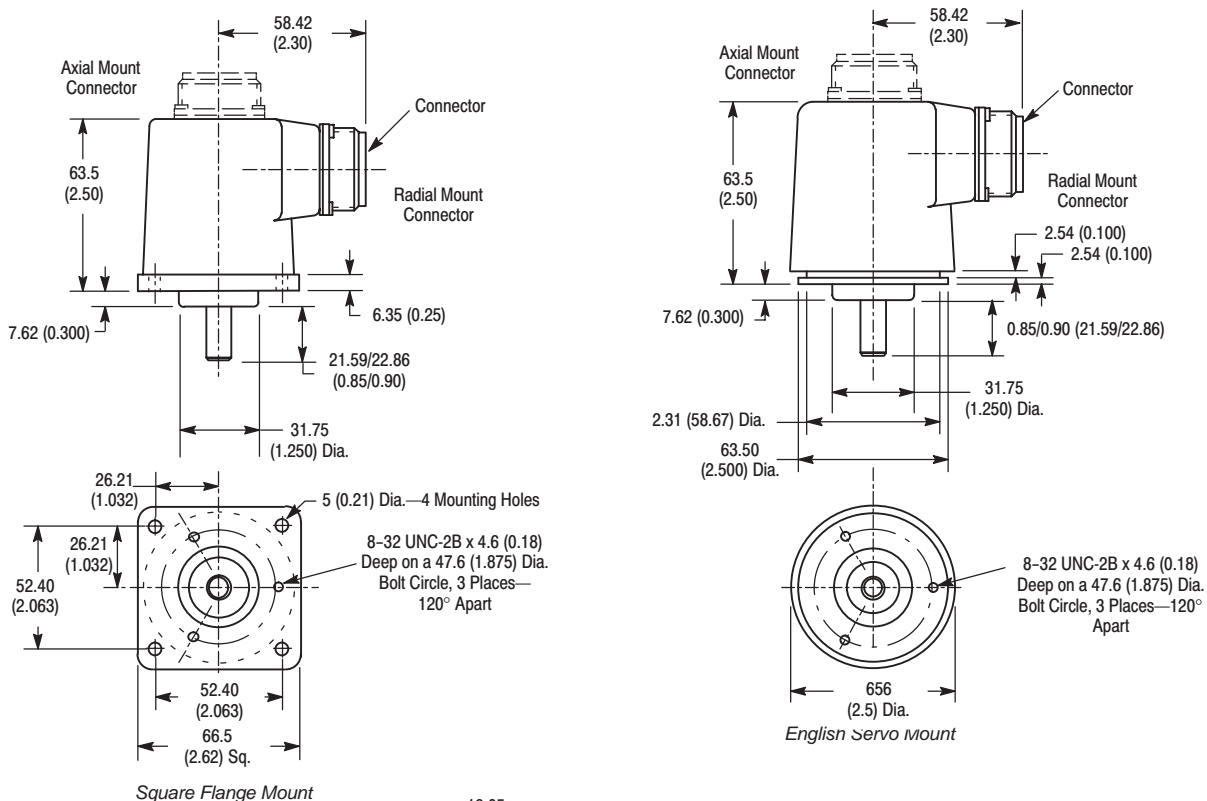
### Reset Pin

The shaft must be stationary before using the reset function. Connecting the Reset Pin to +DC will reset Natural Binary and BCD position value to zero. Connecting the Reset Pin to +DC will reset Gray Code position value to maximum (e.g., 255, 511, 1023, etc.) if MSBC is used, to zero if MSB is used. The reset function requires a connection to +DC for 0.1 seconds or longer.



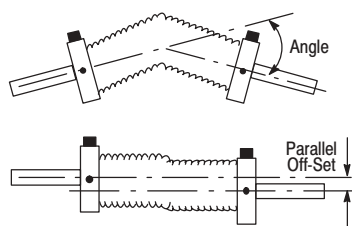
**ATTENTION:** Activating the Reset Pin results in a change of position reading. This can cause unexpected motion which could result in damage to the product, equipment, or personal injury.

Dimensions—mm (inches)



Shaft Dimensions

Flexible Shaft Couplings



**ATTENTION:** Rigidly coupling the encoder shaft to the machine shaft **will cause a failure** in either the bearings of the encoder or the bearings of the machine shaft.

## Bulletin 845GM Absolute Encoders

Single-Turn, Size 20



845GM-S3G8HC0360R



## Description

Bulletin 845GM is a single-turn absolute encoder that provides a unique digital output for each shaft position. These size 20 encoders are available with resolution ranging from 256 to 32,768 CPR (counts per revolution). The electronic zero-set feature facilitates synchronization of electrical and mechanical zero positions.

## Features

- Absolute Gray Code, Natural Binary or Binary Coded Decimal
- 8–15 bit resolution (256 to 32,768)
- Open collector, TTL, push-pull or SSI outputs
- Electronic zero-set pin
- Low or high true output optional
- NEMA Type 4 and 13
- Reverse polarity protection
- 85°C operating temperature
- CE marked for all applicable directives

## Specifications

Electrical	
<b>Code Format</b>	Parallel: Gray Code, Natural Binary, Binary Coded Decimal SSI: Gray Code
<b>Resolution Counts per Rev. (CPR)</b>	256 CPR (8 bit)                      2048 CPR (11 bit) 360 CPR (9 or 10 bit)              4096 CPR (12 bit) 512 CPR (9 bit)                      8192 CPR (13 bit) 1000 CPR (12 bit BCD)              16384 CPR (14 bit) 1024 CPR (10 bit)                    32768 CPR (15 bit)
<b>Accuracy</b>	±1 bit
<b>Frequency Response</b>	16K words/sec
<b>Power Requirements</b>	Determined by Catalog Number: 5V DC ±5% @ 150mA maximum 8–24V DC @ 150mA maximum 10–30V DC @ 150mA maximum
<b>Output Drive Capability</b>	16mA
<b>Output Logic</b>	Parallel: Gray, Natural Binary or Binary Coded Decimal (BCD) Logic "0" = 0.0 to 0.6V DC Logic "1" = 3.5 to 5V DC (TTL) Logic "1" = 24V DC maximum (Open Collector) Logic "1" = 0.7 x Vs (Push-Pull) SSI RS-422 compatible
<b>Latch Command</b>	Standard with Natural Binary and BCD Logic "0" = outputs active (DC common) Logic "1" = outputs latched (+DC or open)
<b>Direction Control</b>	Field selectable for increasing counts (CW or CCW)
<b>Reset</b>	Reset position value to zero (see the Reset Pin section on page 6–31). Only with shaft stationary.
Mechanical	
<b>Starting Torque</b>	3.5in-oz. Typical [0.025 N•m]
<b>Running Torque</b>	3.5in-oz. Typical [0.025 N•m]
<b>Shaft Loading</b>	Axial 40lbs [178N] Radial 40lbs [178N]
<b>Shaft Size</b>	6mm, 10mm, 3/8in (9.517mm), 3/8in (9.517mm) w/flat
<b>Moment of Inertia</b>	0.30oz-in <sup>2</sup> (54gcm <sup>2</sup> ) maximum
<b>Slew Speed</b>	5000RPM
Environmental	
<b>Housing</b>	NEMA Type 4, 13; connector model IP65; cable model IP66
<b>Temperature</b>	0°C to +85°C (+32°F to +185°F)—Operating –20°C to +85°C (–4°F to +185°F)—Max Working –40°C to +100°C (–40°F to +212°F)—Storage
<b>Humidity</b>	90%, Noncondensing
<b>Shock</b>	50g (11ms duration)
<b>Vibration</b>	20g (58–150Hz), 1.5mm displacement (10–58Hz)
<b>Approximate Shipping Weight</b>	1lb (0.45kg)

## Accessories

Description	Catalog Number	Number of Pins	Mating Connector	Pre-Wired Cable
High Performance Flexible Coupling	845-FC-*.*	12	845-12P	845-CA-G-**.*
Measuring Wheels	845-MW-A-*	19	845-SCD	845-CA-D-**.*
Servo Clamps	845-SC			

## Selection Guide

845GM — **F** **3** **G** **8** **H** **C** **1024** **R**  
*a b c d e f g h*

*a*

Mounting Configuration	
Code	Description
F	Square Flange
S	English Servo

*b*

Shaft Options	
Code	Description
1	6mm
2	10mm
3	3/8in w/flat
4	3/8 in

*c*

Output Code Type ❶	
Code	Description
B	Natural Binary
D	Binary Coded Decimal
G	Gray Code

*d*

Power Supply	
Code	Description
5	5V DC ±5%
8	8–24V DC
A	10–30V DC ❶

*e*

Output Logic	
Code	Description
H	High True
L	Low True ❷

*f*

Output Configuration	
Code	Description
C	NPN Open Collector 24V DC Max
P	Push-Pull (7272) ❶
S	SSI Output ❶❸❹
T	5V DC TTL NPN

*g*

Resolution	
Code	Description
0256	8 bit/0–255
0360	9 or 10 bit/0–359 ❸
0512	9 bit/0–511
1000	12 bit/0–999 BCD only
1024	10 bit/0–1023
2048	11 bit/0–2047
4096	12 bit/0–4095
8192	13 bit/0–8191
016K	14 bit/0–16,383
032K	15 bit/0–32,767

*h*

Connector Options	
Code	Description
M	1m (3.28ft) Cable ❹
N	5m (16.4ft) Cable ❹
R	Radial 19-Pin
U	Radial 12-Pin ❺

- ❶ Push-Pull or SSI output can only be ordered with 10–30V DC power supply.
- ❷ Not available with push-pull and SSI output. Output logic inverted.
- ❸ SSI available with Gray Code output only.
- ❹ SSI only available with 12-pin connector.
- ❺ Excess 76 used for 9 bit 360 gray code. BCD is 10 bit.
- ❻ Cable models follow same wiring as pre-wired cable assemblies shown in wiring diagram.

# Allen-Bradley Automation



## Bulletin 845GM Absolute Encoders

Single-Turn, Size 20

## Electrical Connections—19 Pin Connector (Gray code or natural binary)

Pin	845-CA-D- Wire Color	32768 (15 Bit)	16384 (14 Bit)	8192 (13 Bit)	4096 (12 Bit)	2048 (11 Bit)	1024 (10 Bit)	360 and 512 (9 Bit)	0256 (8 Bit)
A	Brown	G(0) or 2 <sup>0</sup>	G(0) or 2 <sup>0</sup>	G(0) or 2 <sup>0</sup>	N/C	N/C	G(0) or 2 <sup>0</sup>	G(0) or 2 <sup>0</sup>	G(0) or 2 <sup>0</sup>
B	Orange	G(1) or 2 <sup>1</sup>	G(1) or 2 <sup>1</sup>	G(1) or 2 <sup>1</sup>	G(0) or 2 <sup>0</sup>	N/C	G(1) or 2 <sup>1</sup>	G(1) or 2 <sup>1</sup>	G(1) or 2 <sup>1</sup>
C	Yellow	G(2) or 2 <sup>2</sup>	G(2) or 2 <sup>2</sup>	G(2) or 2 <sup>2</sup>	G(1) or 2 <sup>1</sup>	G(0) or 2 <sup>0</sup>	G(2) or 2 <sup>2</sup>	G(2) or 2 <sup>2</sup>	G(2) or 2 <sup>2</sup>
D	Green	G(3) or 2 <sup>3</sup>	G(3) or 2 <sup>3</sup>	G(3) or 2 <sup>3</sup>	G(2) or 2 <sup>2</sup>	G(1) or 2 <sup>1</sup>	G(3) or 2 <sup>3</sup>	G(3) or 2 <sup>3</sup>	G(3) or 2 <sup>3</sup>
E	Blue	G(4) or 2 <sup>4</sup>	G(4) or 2 <sup>4</sup>	G(4) or 2 <sup>4</sup>	G(3) or 2 <sup>3</sup>	G(2) or 2 <sup>2</sup>	G(4) or 2 <sup>4</sup>	G(4) or 2 <sup>4</sup>	G(4) or 2 <sup>4</sup>
F	Violet	G(5) or 2 <sup>5</sup>	G(5) or 2 <sup>5</sup>	G(5) or 2 <sup>5</sup>	G(4) or 2 <sup>4</sup>	G(3) or 2 <sup>3</sup>	G(5) or 2 <sup>5</sup>	G(5) or 2 <sup>5</sup>	G(5) or 2 <sup>5</sup>
G	Gray	G(6) or 2 <sup>6</sup>	G(6) or 2 <sup>6</sup>	G(6) or 2 <sup>6</sup>	G(5) or 2 <sup>5</sup>	G(4) or 2 <sup>4</sup>	G(6) or 2 <sup>6</sup>	G(6) or 2 <sup>6</sup>	G(6) or 2 <sup>6</sup>
H	White	G(7) or 2 <sup>7</sup>	G(7) or 2 <sup>7</sup>	G(7) or 2 <sup>7</sup>	G(6) or 2 <sup>6</sup>	G(5) or 2 <sup>5</sup>	G(7) or 2 <sup>7</sup>	G(7) or 2 <sup>7</sup>	G(7) or 2 <sup>7</sup>
J	White/Orange	G(8) or 2 <sup>8</sup>	G(8) or 2 <sup>8</sup>	G(8) or 2 <sup>8</sup>	G(7) or 2 <sup>7</sup>	G(6) or 2 <sup>6</sup>	G(8) or 2 <sup>8</sup>	G(8) or 2 <sup>8</sup>	N/C
K	White/Brown	G(9) or 2 <sup>9</sup>	G(9) or 2 <sup>9</sup>	G(9) or 2 <sup>9</sup>	G(8) or 2 <sup>8</sup>	G(7) or 2 <sup>7</sup>	G(9) or 2 <sup>9</sup>	N/C	N/C
L	White/Red	G(10) or 2 <sup>10</sup>	G(10) or 2 <sup>10</sup>	G(10) or 2 <sup>10</sup>	G(9) or 2 <sup>9</sup>	G(8) or 2 <sup>8</sup>	Direction ②	Direction ②	Direction ②
M	White/Yellow	G(11) or 2 <sup>11</sup>	G(11) or 2 <sup>11</sup>	G(11) or 2 <sup>11</sup>	G(10) or 2 <sup>10</sup>	G(9) or 2 <sup>9</sup>	N/C	N/C	N/C
N	White/Green	G(12) or 2 <sup>12</sup>	G(12) or 2 <sup>12</sup>	G(12) or 2 <sup>12</sup>	G(11) or 2 <sup>11</sup>	G(10) or 2 <sup>10</sup>	N/C	N/C	N/C
P	White/Blue	G(13) or 2 <sup>13</sup>	G(13) or 2 <sup>13</sup>	N/C	Direction ②	Direction ②	N/C	N/C	N/C
R	White/Black	G(14) or 2 <sup>14</sup>	Reset	Reset	Reset	Reset	Reset	Reset	Reset
S	White/Violet	Direction ②	Direction ②	Direction ②	N/C	N/C	N/C	N/C	N/C
T	Black	DC Common	DC Common	DC Common	DC Common	DC Common	DC Common	DC Common	DC Common
U	White/Gray	Latch Control ①	Latch Control ①	Latch Control ①	Latch Control ①	Latch Control ①	Latch Control ①	Latch Control ①	Latch Control ①
V	Red	+DC	+DC	+DC	+DC	+DC	+DC	+DC	+DC

① Latch control not available with Gray Code or SSI output. On Gray Code encoders this pin is not connected (N/C).

② **Important**—The Direction pin function provides Direction Control for Binary Coded Decimal and Natural Binary or MSBC for parallel Gray Code. See next page for further detail.

### Electrical Connections—19 Pin Connector (Binary Coded Decimal)

Pin	845-CA-D-__ Wire Color	1000 BCD (12 Bit)	360 BCD (10 Bit)
V	Red	+DC	+DC
A	Brown	1	1
B	Orange	2	2
C	Yellow	4	4
D	Green	8	8
E	Blue	10	10
F	Violet	20	20
G	Gray	40	40
H	White	80	80
J	White/Orange	100	100
K	White/Brown	200	200
L	White/Red	400	N/C
M	White/Yellow	800	N/C
N	White/Green	N/C	N/C
P	White/Blue	N/C	N/C
R	White/Black	Direction Control	Direction Control
S	White/Violet	Reset	Reset
T	Black	DC Common	DC Common
U	White/Gray	Latch Control	Latch Control

### Electrical Connections for SSI Output—12 Pin Connector

Catalog Number	Wire Pair	Wire Color	Function	Pin
845-CA-G-__ (With 12 pin connector)	Red/Black/Shield	Red	+DC Input	8
		Black	DC Common	1
	White/Black/Shield	White	Clock +	3
		Black	Clock -	11
	Blue/Black/Shield	Blue	Data +	2
		Black	Data -	10
	Green/Black/Shield	Green	Direction Control	12
		Black	Reset	9

#### Direction Pin

The Direction Pin can change function with code type. In parallel type Gray Code encoders, its function is Most Significant Bit Complement or MSBC for short. In Natural Binary, Binary Coded Decimal and Gray Code SSI encoders, its function is Direction Control.

#### Direction Control ①

##### Natural Binary and BCD

A logic “1” (+DC or open) on the direction control pin will produce increasing counts with a counterclockwise rotation of the shaft. A logic “0” (DC common) on the direction control pin will produce increasing counts with a clockwise rotation of the shaft.

① Rotation is viewed from the end of the encoder shaft.

#### Gray Code (SSI)

A logic “1” (+DC or open) on the direction control pin will produce increasing counts with a clockwise rotation of the shaft. A logic “0” (DC common) on the direction control pin will produce increasing counts with a counterclockwise rotation of the shaft.

#### Gray Code (parallel)

Counterclockwise rotation of the shaft will produce increasing counts. For increasing counts with a clockwise rotation, use the Most Significant Bit Complement Pin instead of the Most Significant Bit Pin. See Electrical Connection table for pin designation.



**ATTENTION:** For parallel gray code: connecting the MSB or MSBC to +DC will result in permanent damage to the encoder.

#### Reset Pin

The shaft must be stationary before using the reset function. Connecting the Reset Pin to +DC will reset Natural Binary and BCD position value to zero. Connecting the Reset Pin to +DC will reset Gray Code position value to maximum (e.g., 255, 511, 1023, etc.) if MSBC is used, to zero if MSB is used. The reset function requires a connection to +DC for 0.1 seconds or longer.

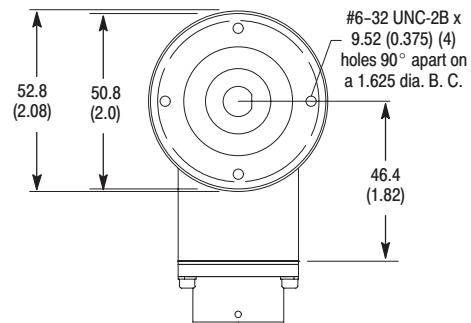
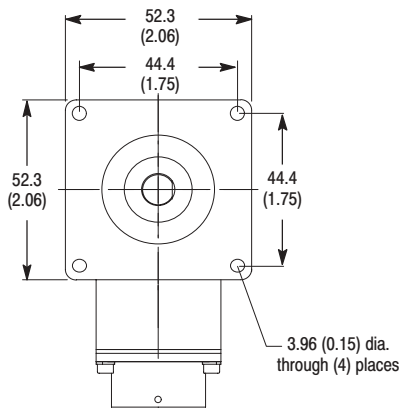
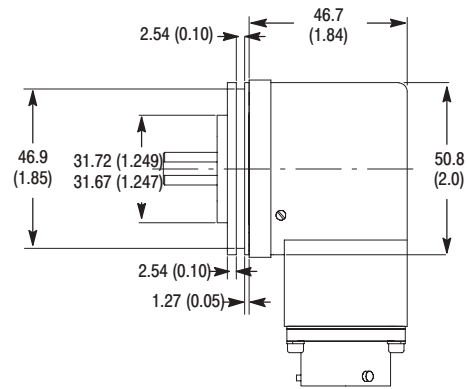
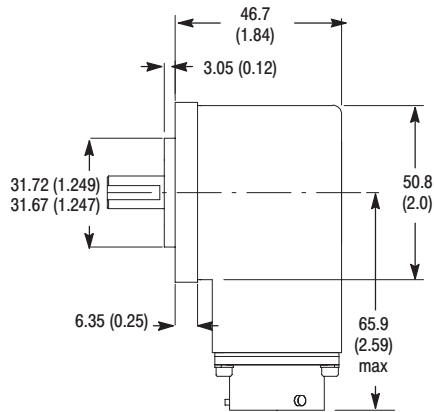


**ATTENTION:** Activating the Reset Pin results in a change of position reading. This can cause unexpected motion which could result in damage to the product, equipment, or personal injury.

# Bulletin 845GM Absolute Encoders

Single-Turn, Size 20

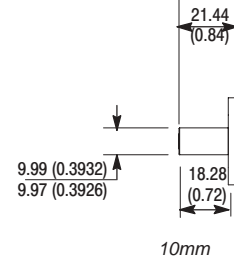
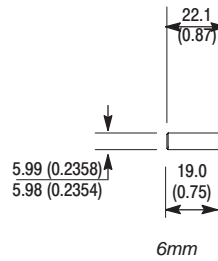
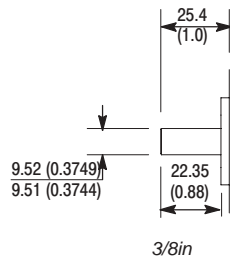
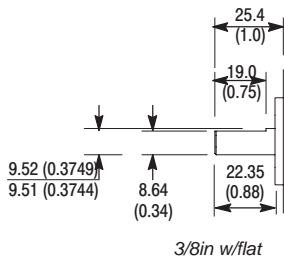
## Dimensions—mm (inches)



Square Flange Mount

English Servo Mount

### Shaft Options—Square Flange Mount



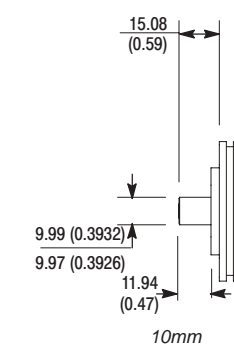
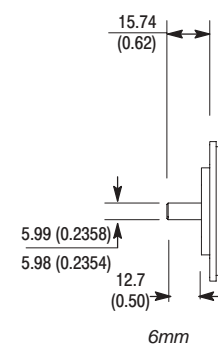
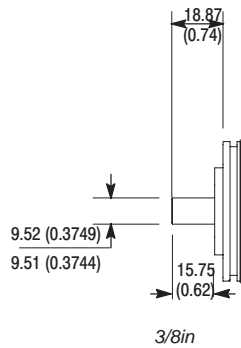
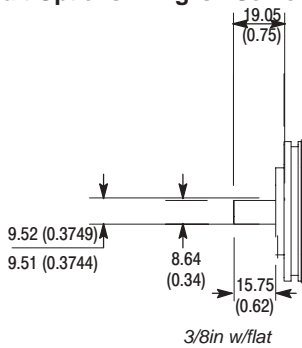
3/8in w/flat

3/8in

6mm

10mm

### Shaft Options—English Servo Mount



3/8in w/flat

3/8in

6mm

10mm



Square Flange Mount  
845H-SJDZ14CRY2



## Specifications

Electrical	
<b>Code Format</b>	Incremental, 2 channels with zero index
<b>Quadrature</b>	90° ±22°; Channel A leads B CCW
<b>Symmetry</b>	50% ±10%
<b>Zero Index Channel</b>	1/2 cycle, gated to channel B
<b>Power Requirements</b>	Determined by catalog number: 5V DC ±5% @ 150mA maximum 8-24V DC @ 150mA maximum
<b>Frequency Response</b>	Data: 210kHz      Zero index: 125kHz
<b>Operating Speed (Data)</b>	(210kHz x 60)/pulses per rev. = RPM or 6000 RPM, whichever is lower
<b>Resolution</b>	Up to 5000 PPR on code disk
<b>Output Drive Capability</b>	PNP current source = 20mA; NPN current sink = 20mA; Differential line driver = ±20mA; NPN open collector = 20mA
Mechanical	
<b>Starting &amp; Running Torque</b>	2.5Ncm typical [3.5in-oz]
<b>Moment of Inertia</b>	15gcm (2.1 x 10 <sup>-4</sup> oz-in-sec <sup>2</sup> )
<b>Slew Speed</b>	6000 RPM
<b>Shaft Loading (3/8" &amp; 10mm Dia.)</b>	Axial 89N [20lbs] (10lbs 5000 PPR); Radial 178N [40lbs] (20lbs 5000 PPR)
<b>Shaft Size</b>	6mm, 10mm, 6.4mm [1/4in] 9.517mm [3/8in] diameter
Environmental	
<b>Housing</b>	NEMA Type 4,13, IP66 (IEC 529)
<b>Temperature</b>	0°C to +60°C (+32°F to +140°F)—operating -25°C to +90°C (-13°F to +194°F)—storage
<b>Humidity</b>	98%, noncondensing
<b>Shock</b>	50g (11ms duration)
<b>Vibration</b>	20g (4 to 2000Hz)
<b>Approximate Ship Weight</b>	0.91kg (2lbs)

## Description

The Bulletin 845H optical incremental encoders electronically digitize shaft motion of a rotating element by converting mechanical motion to an electronic digital format. Incremental square waves are accumulated in a counter as position feedback. The encoder provides code disk resolutions up to 5000 pulses per revolution at a signal frequency response of 210 kHz.

The Bulletin 845H encoder is housed in a size 25, NEMA Type 4 and 13, IP66 (IEC 529), enclosure making it suitable for many of today's industrial environments.

## Features

- Code disk resolution up to 5000 PPR
- Optional sink, source, open collector or differential line driver output configurations
- English and metric options
- Input reverse polarity protection
- CE marked for all applicable directives

## Accessories

Description	Page Number
Flexible Couplings	6-52
Measuring Wheels	6-53
Servo Clamps	6-53
Pre-Wired Cables	6-54
Mating Connectors	6-57
Mounting Plates	6-57
Differential Encoder Buffer Board	6-60

# Bulletin 845H Incremental Encoders

Size 25, High Performance

## Selection Guide

**845H** — **S** **J** **H** **Z** **1** **4** **CR** **Y** **2** **C**  
*a* *b* *c* *d* *e* *f* *g*

*a*

Mounting Configuration ❶	
Code	Description
D	Square Flange
E	70mm Diameter Flange
F	90mm Diameter Flange
G	Metric Servo 48mm B.C.
H	English Servo
J	Metric Servo 42mm B.C.

*b*

Shaft Options ❶	
Code	Description
A	6mm Diameter
B	10mm Diameter
C	1/4in Diameter
Z	3/8in Diameter
K	6mm w/Flat
L	10mm w/Flat
M	1/4in w/Flat
N	3/8in w/Flat
P	3/8in w/Double Flat

❶ Standard catalog numbers consist of either English Mounting Configurations with English Shaft Options or Metric Mounting Configurations with Metric Shaft Options.

*c*

Power Supply	
Code	Description
1	5V DC ±5%
2	8–24V DC Unregulated

*d*

Output Configuration ❷	
Code	Description
2	PNP Current Source
3	NPN Current Sink
4	DLD 5V DC RS–422
5	NPN Open Collector 24V DC Max ❸
6	DLD 8–24V DC ❹

❷ DLD = Differential Line Driver  
 ❸ External pull-up resistor required  
 ❹ Can not be ordered with 5V DC power supply (code 1 above)

*e*

Resolution	
Code	Description (PPR)
AG	1
AM	5
BG	10
CA	50
CB	60
CE	64
CF	80
CG	100
DB	120
DF	150
EB	180
CH	200
CJ	250
CC	254
CW	256
EG	300
CK	360
CL	400
CM	500
DW	512
EH	600
DG	720
DL	800
LG	900
CN	1000
FW	1024
EL	1200
CD	1250
RF	1280
CU	1472
EM	1500
FL	1600
CP	1800
DN	2000
CS	2048
HL	2400
CR	2500
CY	2540
LJ	2750
EN	3000
CT	3600
DR	5000

*f*

Connection Type	
Code	Description
1	Axial Connector (End)
2	Radial Connector (Side)
A	Axial Cable (End)
R	Radial Cable (Side)

*g*

Connection Options	
Code	Description
Blank	Without Mating Connector ❺
C	With Mating Connector ❺
1	1m (3.28ft) Cable Length ❻
5	5m (16.4ft) Cable Length ❻
9	9m (29.52ft) Cable Length ❻

❺ These options not available with Connection Options code: "A" & "R."  
 ❻ These options not available with Connection Options code: "1" & "2."

## Electrical Connections

### 7-Pin Connector (ACS02E16S-1P (023))

Current Source, Current Sink,  
Open Collector Outputs

Pin	Function	Pin	Function
A	Channel A Output	E <sup>Ⓧ</sup>	—
B	Channel B Output	F	DC Return
C	Channel Z Output	G	Case Ground
D <sup>Ⓧ</sup>	DC+ Input	—	—

### 10-Pin Connector (ACS02E18-1P (023))

Differential Line-Driver Outputs

Pin	Function	Pin	Function
A	Channel A Output	F	DC Return
B	Channel B Output	G	Case Ground
C	Channel Z Output	H	Channel $\bar{A}$ Output
D <sup>Ⓧ</sup>	DC+ Input	I	Channel $\bar{B}$ Output
E <sup>Ⓧ</sup>	—	J	Channel $\bar{Z}$ Output

<sup>Ⓧ</sup> Pins D and E internally connected

## Cable

Current Source, Current Sink,  
Open Collector Outputs

Wire Pair	Wire Color	Function
Red/Black	Red	DC+ Input
	Black	DC Return
White/Black	White	Channel A Output
	Black	Not Connected
Blue/Black	Blue	Channel B Output
	Black	Not Connected
Green/Black	Green	Channel Z Output
	Black	Not Connected

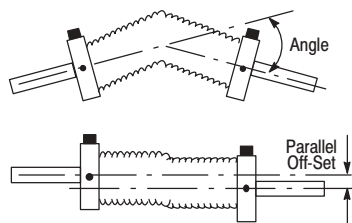
Differential Line Driver Outputs

Wire Pair	Wire Color	Function
Red/Black	Red	DC+ Input
	Black	DC Return
White/Black	White	Channel A Output
	Black	Channel $\bar{A}$ Output
Blue/Black	Blue	Channel B Output
	Black	Channel $\bar{B}$ Output
Green/Black	Green	Channel Z Output
	Black	Channel $\bar{Z}$ Output

## Connector Type

Output Code	Output Type	Connector Type	Number of Pins	Dimension "B"
2	Current Source	ACS02E16S-1P (023)	7	63 (2.48)
3	Current Sink	ACS02E16S-1P (023)	7	63 (2.48)
4	Diff. Line Driver	ACS02E18-1P (023)	10	73.9 (2.91)
5	Open Collector	ACS02E16S-1P (023)	7	63 (2.48)

## Flexible Shaft Couplings

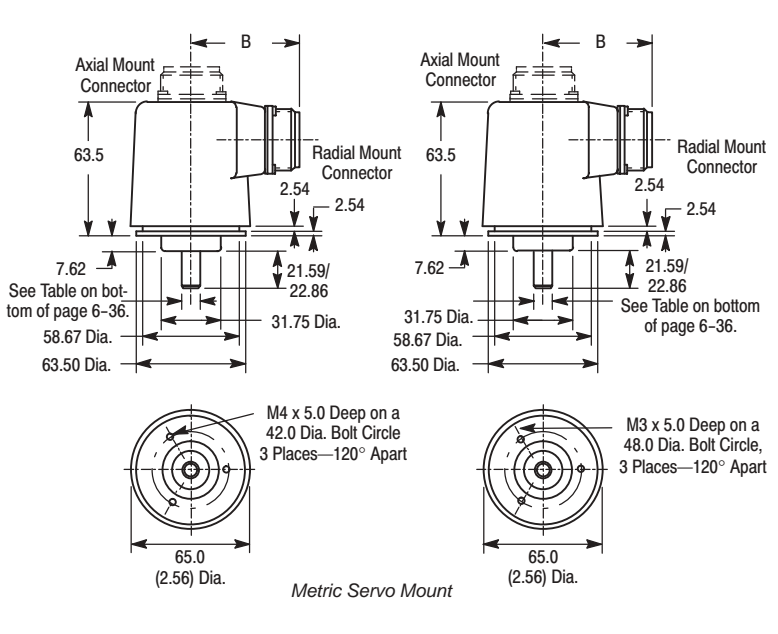
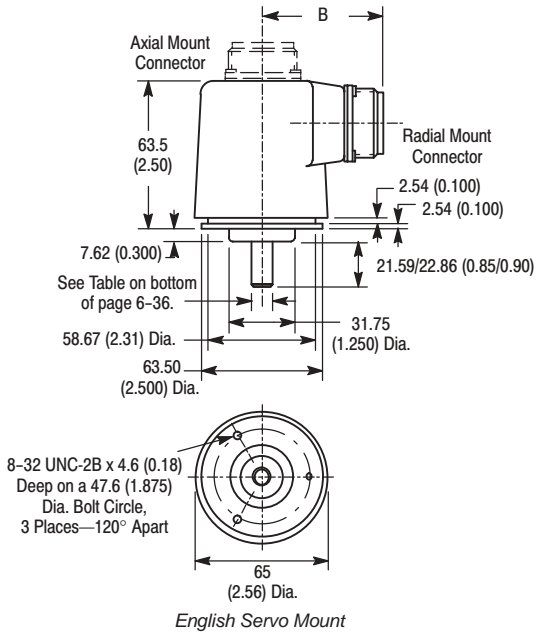
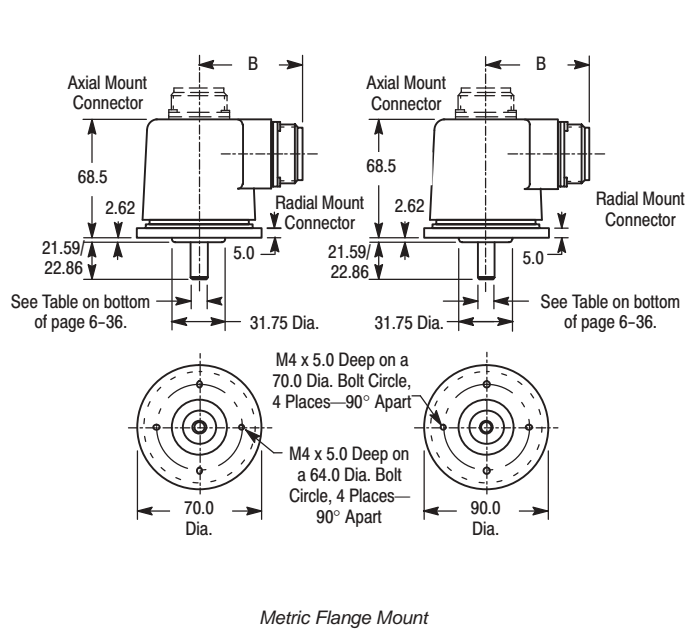
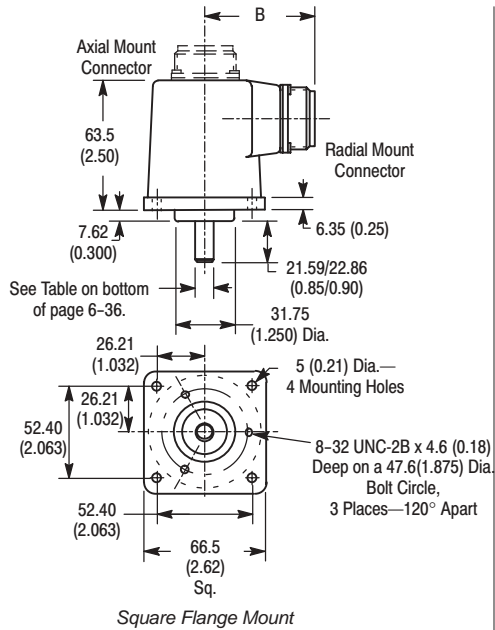


**ATTENTION:** Rigidly coupling the encoder shaft to the machine shaft **will cause a failure** in either the bearings of the encoder or the bearings of the machine shaft.

# Bulletin 845H Incremental Encoders

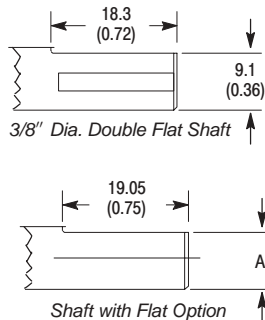
Size 25, High Performance

## Dimensions—mm (inches)



## Shaft Diameter Options

Code	Shaft Diameter
A or K	6mm +0.00mm, -0.013mm
B or L	10mm +0.00mm, -0.013mm
C or M	6.35 (0.2499) +0.0000, -0.0005
Z or N	9.52 (0.3749) +0.0000, -0.0005



## Flat Dimensions

Code	Dimension "A"
K	5.3mm (0.21in)
L	9.1mm (0.36in)
M	5.5mm (0.22in)
N	8.6mm (0.34in)



## Bulletin 845K Optical Incremental Encoders

NEMA Type 1, Size 25, High Performance



Square Flange Mount  
845K-SADZ14CRY3



## Specifications

Electrical	
<b>Code Format</b>	Incremental, 2 channels with zero index
<b>Quadrature</b>	90° ±22° Channel A leads B CCW
<b>Symmetry</b>	50% ±10%
<b>Zero Index Channel</b>	1/2 cycle, gated to channel B
<b>Power Requirements</b>	Determined by catalog number: 5V DC ±5% @ 150mA maximum 8-24V DC @ 150mA maximum
<b>Frequency Response</b>	Data: 210kHz      Zero index: 125kHz
<b>Operating Speed (Data)</b>	(210kHz x 60)/pulses per revolution = RPM or 6000 RPM, whichever is lower
<b>Resolution</b>	Up to 5000 PPR on code disk
<b>Output Drive Capability</b>	PNP current source = 20mA NPN current sink = 20mA Differential line driver = ±20mA NPN open collector = 20mA
Mechanical	
<b>Starting Torque</b>	0.7Ncm typical [1.0in-oz]
<b>Running Torque</b>	0.7Ncm typical [1.0in-oz]
<b>Moment of Inertia</b>	15gcm <sup>2</sup> (2.1 x 10 <sup>-4</sup> oz-in-sec <sup>2</sup> )
<b>Slew Speed</b>	6000 RPM
<b>Shaft Loading</b>	Axial 89N [20lbs] (10lbs 5000 PPR) Radial 178N [40lbs] (20lbs 5000 PPR)
<b>Shaft Size</b>	9.517mm [3/8in] diameter
Environmental	
<b>Housing</b>	NEMA Type 1
<b>Temperature</b>	0°C to +60°C (+32°F to +140°F)—operating -25°C to +90°C (-13°F to +194°F)—storage
<b>Humidity</b>	85%, noncondensing
<b>Shock</b>	50g (11ms duration)
<b>Vibration</b>	20g (5 to 2000Hz)
<b>Approximate Ship Weight</b>	0.91kg (2lbs)

## Description

The Bulletin 845K is a size 25 industrial optical incremental encoder. These encoders electronically digitize shaft motion of a rotating element by converting mechanical motion to an electronic digital format.

The Bulletin 845K encoders have code disk resolutions up to 5000 pulses per revolution and a signal frequency response of 210 kHz.

## Features

- Code disk resolution up to 5000 PPR
- Optional sink, source, open collector or differential line driver output configurations
- 210kHz operating frequency
- 24in pigtail cable terminal
- Input reverse polarity protection
- CE marked for all applicable directives

## Accessories

Description	Page Number
Flexible Couplings	6-52
Measuring Wheels	6-53
Servo Clamps	6-53
Mounting Plates	6-57
Differential Encoder Buffer Board	6-60

**IMPORTANT:** 845K is an obsolete product.  
Refer to Bulletin 845H for a replacement model.

# Allen-Bradley Automation

# Bulletin 845K Optical Incremental Encoders

NEMA Type 1, Size 25, High Performance

## Selection Guide

845K — S A H Z 1 4 CR Y 3  
                     a                    b    c    d

a

Mounting Configuration	
Code	Description
D	Square Flange
H	English Servo

b

Power Supply	
Code	Description
1	5V DC ±5%
2	8–24V DC Unregulated

c

Output Configuration ①	
Code	Description
2	PNP Current Source
3	NPN Current Sink
4	DLD 5V DC RS-422
5	NPN Open Collector 24V DC Max ②
6	DLD 8–24V DC ③

- ① DLD = Differential Line Driver
- ② External pull-up resistor required
- ③ Can not be ordered with 5V power supply (code 1 above)

d

Resolution	
Code	Description (PPR)
CA	50
CB	60
CE	64
CF	80
CG	100
DB	120
EB	180
CH	200
CJ	250
CC	254
CW	256
EG	300
CK	360
CL	400
CM	500
DW	600
EH	600
LG	900
FW	1000
	1200
CD	1250
	1600
CP	1800
DN	2000
CS	2048
HL	2400
CR	2500
CY	2540
CT	3600
DR	5000

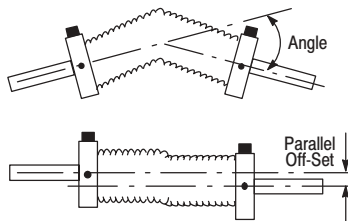
## Cable

### Current Source, Current Sink, Open Collector Outputs

Wire Pair	Wire Color	Function
Red/Black	Red	DC+ Input
	Black	DC Return
White/Black	White	Channel A Output
	Black	Not Connected
Blue/Black	Blue	Channel B Output
	Black	Not Connected
Green/Black	Green	Channel Z Output
	Black	Not Connected

Differential Line Driver Outputs		
Wire Pair	Wire Color	Function
Red/Black	Red	DC+ Input
	Black	DC Return
White/Black	White	Channel A Output
	Black	Channel $\bar{A}$ Output
Blue/Black	Blue	Channel B Output
	Black	Channel $\bar{B}$ Output
Green/Black	Green	Channel Z Output
	Black	Channel $\bar{Z}$ Output

### Flexible Shaft Couplings



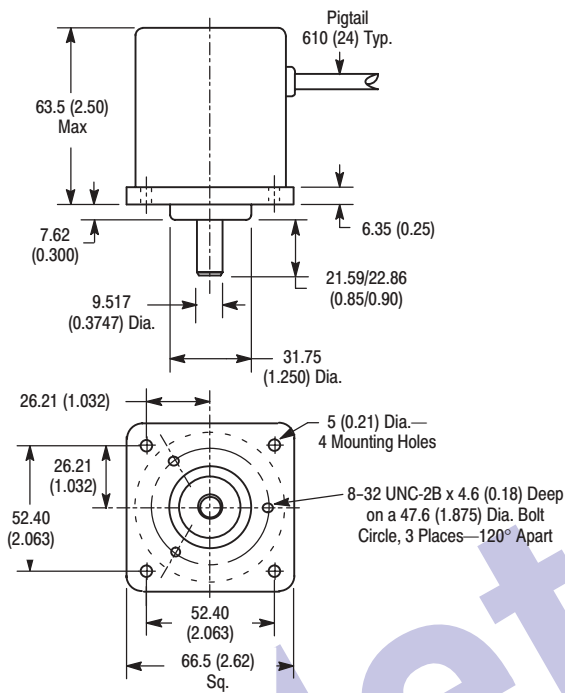
**ATTENTION:** Rigidly coupling the encoder shaft to the machine shaft **will cause a failure** in either the bearings of the encoder or the bearings of the machine shaft.

**IMPORTANT:** 845K is an obsolete product. Refer to Bulletin 845H for a replacement model.

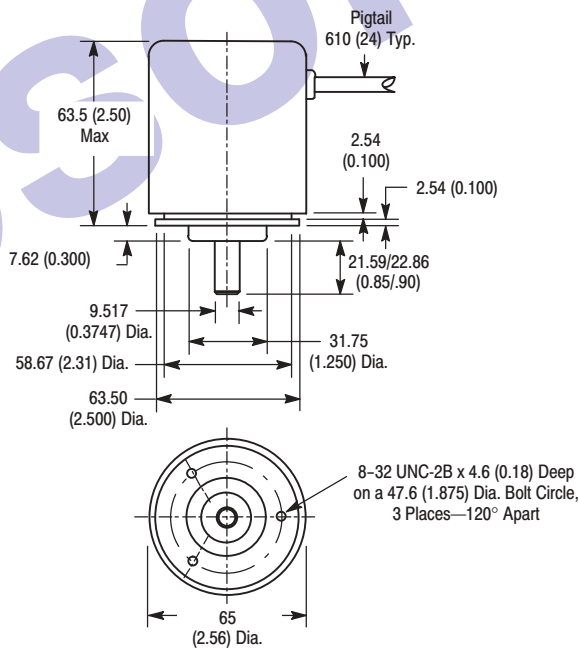
# Bulletin 845K Optical Incremental Encoders

NEMA Type 1, Size 25, High Performance

## Dimensions—mm (inches)



Square Flange Mount



English Servo Mount

**IMPORTANT:** 845K is an obsolete product.  
Refer to Bulletin 845H for a replacement model.

# Allen-Bradley Automation

**Bulletin 845P Optical Incremental Encoders**

NEMA Type 1, Size 15, High Performance



Servo Mount  
845P-SHC14-CN3

**Description**

Bulletin 845P optical incremental encoders convert shaft rotation into an electronic digital format. The encoder output (square wave pulses) provides an accurate means of digitizing position, velocity, and direction of rotation. Various position and motion controllers can then compare this information to desired settings, and control the system accordingly.

The Bulletin 845P is a size 15 industrial incremental encoder. The NEMA Type 1 aluminum enclosure provides protection against incidental contact with dirt, dust, lint, fibers, and other nonliquid contaminants. The electronics offer dual channel encoder signals in quadrature, with a standard gated index. The encoder provides differential output signals at 100kHz, with a resolution of 500 or 1000 pulses per revolution.

**Specifications**

<b>Electrical</b>	
<b>Code Format</b>	Incremental, 2 channels with zero index
<b>Quadrature</b>	90° ±36° Channel A leads B CCW
<b>Symmetry</b>	50% ±10%
<b>Zero Index Channel</b>	1/2 cycle, gated to channel B
<b>Power Requirements</b>	5V DC ±5% @ 90mA maximum
<b>Frequency Response</b>	100kHz
<b>Operating Speed (Data)</b>	(100kHz x 60)/pulses per revolution = RPM or 5000 RPM, whichever is lower
<b>Resolution</b>	500 or 1000 PPR on code disk
<b>Output Drive Capability</b>	Differential line driver = ±20mA
<b>Mechanical</b>	
<b>Starting Torque</b>	0.6Ncm typical (0.9in-oz)
<b>Running Torque</b>	0.1Ncm typical (0.15in-oz)
<b>Slew Speed</b>	5000 RPM
<b>Shaft Loading</b>	Axial 11N (2.5lbs) Radial 22N (5.0lbs)
<b>Shaft Size</b>	6.4mm (1/4in) diameter
<b>Environmental</b>	
<b>Housing</b>	NEMA Type 1
<b>Temperature</b>	0°C to +60°C (+32°F to +140°F) — operating -25°C to +90°C (-13°F to +194°F) — storage
<b>Humidity</b>	85%, noncondensing
<b>Shock</b>	50g (11ms duration)
<b>Vibration</b>	20g (5 to 2000Hz)
<b>Approximate Ship Weight</b>	0.34kg (12oz)

**Accessories**

<b>Description</b>	<b>Page Number</b>
Flexible Couplings	6-52
Servo Clamps	6-53
Differential Encoder Buffer Board	6-60

**IMPORTANT:** 845P is an obsolete product.

# Bulletin 845P Optical Incremental Encoders

NEMA Type 1, Size 15, High Performance

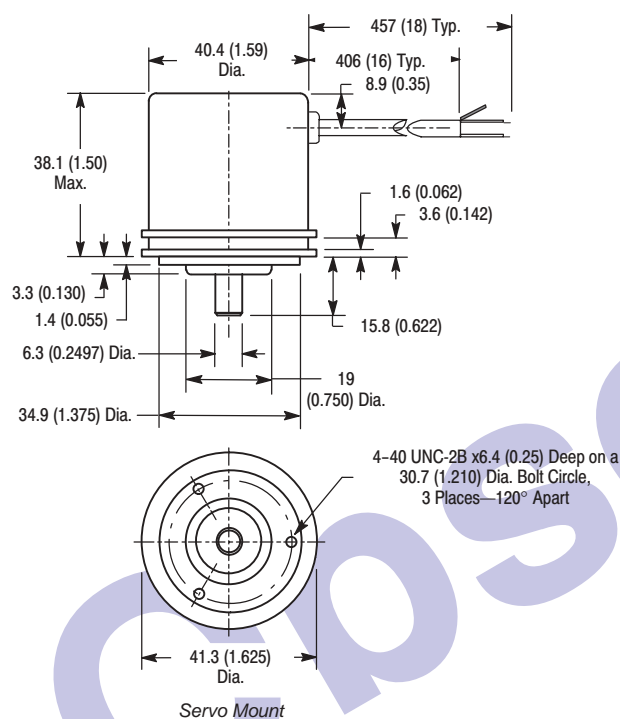
## Selection Guide

845P — S H C 1 4 — **CN** 3  
a

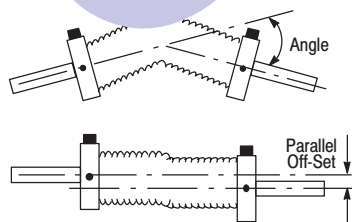
a

Resolution	
Code	Description (PPR)
CM	500
CN	1000

## Dimensions—mm (inches)



## Flexible Couplings



**ATTENTION:** Rigidly coupling the encoder shaft to the machine shaft **will cause a failure** in either the bearings of the encoder or the bearings of the machine shaft.

## Cable

### Differential Line Driver Output

Wire Color	Function
White	DC+ (5V DC)
	DC Return
	Channel A
Violet	Channel $\bar{A}$
Green	Channel B
Blue	Channel $\bar{B}$
Yellow	Channel Z
Orange	Channel $\bar{Z}$
Shield	Floating

**IMPORTANT:** 845P is an obsolete product.

# Allen-Bradley Automation

**Bulletin 845PY Digital Tachometer**

Size 20, 5PY Mounting



5PY Mount  
845PY-FW-2

**Specifications**

Electrical	
<b>Code Format</b>	Incremental, 2 channels
<b>Quadrature</b>	90° ±22° Channel A leads B CCW
<b>Symmetry</b>	50% ±10%
<b>Power Requirements</b>	Determined by catalog number: 5V DC ±5% @ 150mA maximum 11-20V DC @ 150mA maximum 24V DC @ 150mA maximum
<b>Frequency Response</b>	100kHz
<b>Operating Speed</b>	(100kHz x 60)/pulses per revolution = RPM or 15,000 RPM, whichever is lower
<b>Resolution</b>	Up to 3000 PPR on code disk
<b>Output Drive Capability</b>	Differential line driver = ±20mA @ 5V DC
Mechanical	
<b>Starting Torque</b>	2.5Ncm typical [3.5in-oz]
<b>Running Torque</b>	2.5Ncm typical [3.5in-oz]
<b>Slew Speed</b>	15,000 RPM
<b>Shaft Loading</b>	Axial: 359N [80lbs] Radial: 222N [50lbs]
<b>Shaft Size</b>	7.94mm [5/16in] diameter
Environmental	
<b>Housing</b>	NEMA Type 4, IP66 (IEC 529)
<b>Temperature</b>	0°C to +60°C (+32°F to +140°F) — operating -25°C to +90°C (-13°F to +194°F) — storage
<b>Humidity</b>	98%, noncondensing
<b>Shock</b>	50g (11ms duration)
<b>Vibration</b>	20g (5 to 2000Hz)
<b>Approximate Ship Weight</b>	0.56kg (20oz)

**Description**

Bulletin 845PY digital tachometer is an optical encoder that determines the angular velocity of a rotating shaft and is a direct digital replacement for the standard 5PY analog tachometer. The Bulletin 845PY will mount on the same bolt hole pattern and use the same flexible coupling.

The Bulletin 845PY digital tachometer is a heavy duty, NEMA Type 4, and IP66 (IEC 529) rated optical incremental shaft encoder that is housed in a two-inch diameter enclosure. Typical applications for the 845PY include velocity feedback to a variety of DC drives, and machine tools.

**Features**

- Digital replacement for the 5PY Analog Tachometer
- Direct 1395 digital DC drive interface
- Code disk resolution up to 3000 PPR
- Input reverse polarity protection
- CE marked for all applicable directives

**Accessories**

Description	Page Number
Pre-Wired Cables	6-54
Mating Connectors	6-57
Differential Encoder Buffer Board	6-60

## Selection Guide

845PY — **FW** — **2** — **C**

*a*                      *b*                      *c*

**a**

Resolution	
Code	Description (PPR)
CA	50
CB	60
CG	100
CH	200
CJ	250
CW	256
CK	360
CL	400
CM	500
EH	600
DL	800
CN	1000
FW	1024
CD	1250
EM	1500
DN	2000
CS	2048
CR	2500
CY	2540
LJ	2750
EN	3000

**b**

Power Supply Option	
Code	Description
1	5V DC $\pm 5\%$
2	11–20V DC
3	24V DC $\pm 10\%$

**c**

Mating Connector	
Code	Description
Blank	Without Mating Connector
C	With Mating Connector

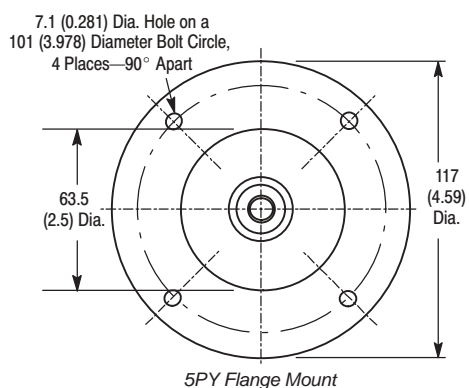
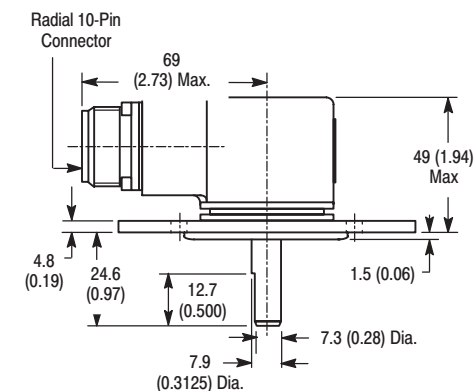
## Electrical Connections

10-Pin Connector  
(ACS02E18–1P (023))

## Differential Line Driver Outputs

Pin	Function	Pin	Function
A	Channel A Output	F	DC Return
B	Channel B Output	G	No Connection
C	No Connection	H	Channel $\bar{A}$ Output
D	DC+ Input	I	Channel $\bar{B}$ Output
E	No Connection	J	No Connection

## Dimensions—mm (inches)



# Allen-Bradley Automation

## Bulletin 845S Optical Incremental Encoders

Size 25, IGBT Drive Compatible



Square Flange Mount



### Description

The Bulletin 845S optical incremental encoders electronically digitize shaft motion of a rotating element by converting mechanical motion to an electronic digital format. Incremental square waves are accumulated in a counter as position feedback. The encoder provides code disk resolutions up to 5000 pulses per revolution at a signal frequency response of 100 kHz.

The Bulletin 845S encoder is housed in a size 25, NEMA Type 4 and 13, IP66 (IEC 529) enclosure, making it suitable for many of today's industrial environments.

### Features

- Tested for compatibility with Bulletin 1336 IGBT drive. Suitable for frequency drives at cable distances up to 1200 ft. (400ft).
- Code disk resolution up to 5000 PPR
- Encoder and metric versions
- Input reverse polarity protection
- CE marked for all applicable directives

### Specifications

Electrical	
<b>Code Format</b>	Incremental, 2 channels with zero index
<b>Quadrature</b>	90° ±22°; Channel A leads B CCW
<b>Symmetry</b>	50% ±10%
<b>Zero Index Channel</b>	1/2 cycle, gated to channel B
<b>Power Requirements</b>	Determined by catalog number: 5V DC ±5% @ 150mA maximum 8–24V DC @ 150mA maximum
<b>Frequency Response</b>	Data: 100kHz      Zero index: 100kHz
<b>Operating Speed (Data)</b>	(100kHz x 60)/pulses per rev. = RPM or 6000 RPM, whichever is lower
<b>Resolution</b>	Up to 5000 PPR on code disk
<b>Output Drive Capability</b>	Differential line driver = ±20mA
Mechanical	
<b>Starting &amp; Running Torque</b>	2.5Ncm typical [3.5in-oz]
<b>Moment of Inertia</b>	15gcm <sup>2</sup> (2.1 x 10 <sup>-4</sup> oz-in-sec <sup>2</sup> )
<b>Slew Speed</b>	6000 RPM
<b>Shaft Loading (3/8" &amp; 10mm Dia.)</b>	Axial 89N [20lbs] (10lbs 5000 PPR); Radial 178N [40lbs] (20lbs 5000 PPR)
<b>Shaft Size</b>	6mm, 10mm, 6.4mm [1/4in] 9.517mm [3/8in] diameter
Environmental	
<b>Housing</b>	NEMA Type 4,13, IP66 (IEC 529)
<b>Temperature</b>	0°C to +60°C (+32°F to +140°F)—operating -25°C to +90°C (-13°F to +194°F)—storage
<b>Humidity</b>	98%, noncondensing
<b>Shock</b>	50g (11ms duration)
<b>Vibration</b>	20g (4 to 2000Hz)
<b>Approximate Ship Weight</b>	0.91kg (2lbs)

### Accessories

Description	Page Number
Flexible Couplings	6-52
Measuring Wheels	6-53
Servo Clamps	6-53
Pre-Wired Cables	6-54
Mating Connectors	6-57
Mounting Plates	6-57
Differential Encoder Buffer Board	6-60

**IMPORTANT:** 845S is an obsolete product.  
Refer to Bulletin 845H for replacement models.



# Bulletin 845S Optical Incremental Encoders

Size 25, IGBT Drive Compatible

## Selection Guide

**845S** — **S** **J** **H** **Z** **1** **4** **CR** **Y** **2** **C**  
a b c d e f g

**a**

Mounting Configuration ❶	
Code	Description
D	Square Flange
E	70mm Diameter Flange
F	90mm Diameter Flange
G	Metric Servo 48mm B.C.
H	English Servo
J	Metric Servo 42mm B.C.

**b**

Shaft Options ❶	
Code	Description
A	6mm Diameter
B	10mm Diameter
C	1/4in Diameter
Z	3/8in Diameter
K	6mm w/Flat
L	10mm w/Flat
M	1/4in w/Flat
N	3/8in w/Flat
P	3/8in w/Double Flat

❶ Standard catalog numbers consist of either English Mounting Configurations with English Shaft Options or Metric Mounting Configurations with Metric Shaft Options.

Power Supply	
Code	Description
1	5V DC 100mA
2	24V DC 100mA regulated

**d**

Output Configuration ❷	
Code	Description
4	DLD 5V DC RS-422
6	DLD 8-24V DC ❸

❷ DLD = Differential Line Driver

❸ Can not be ordered with 5V DC power supply (code 1 above)

**e**

Resolution	
Code	Description (PPR)
CA	50
CB	60
CE	64
CF	80
CG	100
DB	120
EB	180
CH	200
CJ	250
CC	254
CW	256
EG	300
CK	360
CL	400
CM	500
DW	600
EH	600
	900
EN	1000
	1024
EL	1200
	1250
RF	1280
CU	1472
FL	1600
CP	1800
DN	2000
CS	2048
HL	2400
CR	2500
CY	2540
CT	3600
DR	5000

**f**

Connection Type	
Code	Description
1	Axial Connector (End)
2	Radial Connector (Side)
A	Axial Cable (End)
R	Radial Cable (Side)

**g**

Connection Options	
Code	Description
Blank	Without Connector ❹
C	With Connector ❹
1	1m (39.37in) Cable Length ❺
5	5m (16.40in) Cable Length ❺
7	7m (22.97in) Cable Length ❺

❹ Connector options are available with Connection Code: "A" & "R."  
 ❺ These options not available with Connection Options code: "1" & "2."

**IMPORTANT:** 845S is an obsolete product.  
 Refer to Bulletin 845H for replacement models.

# Allen-Bradley Automation

# Bulletin 845S Optical Incremental Encoders

Size 25, IGBT Drive Compatible

## Electrical Connections

### 10-Pin Connector (ACS02E18-1P (023))

#### Differential Line-Driver Outputs

Pin	Function	Pin	Function
A	Channel A Output	F	DC Return
B	Channel B Output	G	Shield ②
C	Channel Z Output	H	Channel $\bar{A}$ Output
D①	DC+ Input	I	Channel $\bar{B}$ Output
E①	—	J	Channel $\bar{Z}$ Output

① Pins D and E internally connected

② Pin G not connected to Case Ground

## Cable

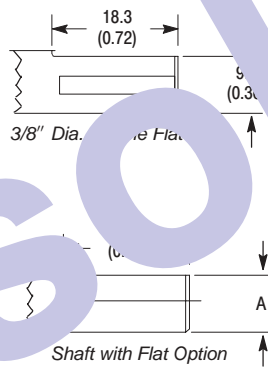
### Differential Line Driver Outputs ③

Wire Pair	Wire Color	Function
Red/Black	Red	DC+ Input
	Black	DC Return
White/Black	White	Channel A Output
	Black	Channel $\bar{A}$ Output
Blue/Black	Blue	Channel B Output
	Black	Channel $\bar{B}$ Output
Green/Black	Green	Channel Z Output
	Black	Channel $\bar{Z}$ Output

③ Cable shields connected internally to encoder shield

## Shaft Diameter Options

Code	Shaft Diameter
A or K	6mm +0.00mm, -0.013mm
B or L	10mm +0.00mm, -0.013mm
C or M	6.35 (0.2499) +0.0000, -0.0005
Z or N	9.52 (0.3749) +0.0000, -0.0005

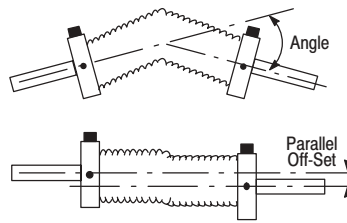


## Shaft Dimensions

Code	Shaft Dimension "A"
K	5.3mm (0.21in)
L	9.1mm (0.36in)
M	5.5mm (0.22in)
N	8.6mm (0.34in)

Obsolète

### Flexible Shaft Couplings



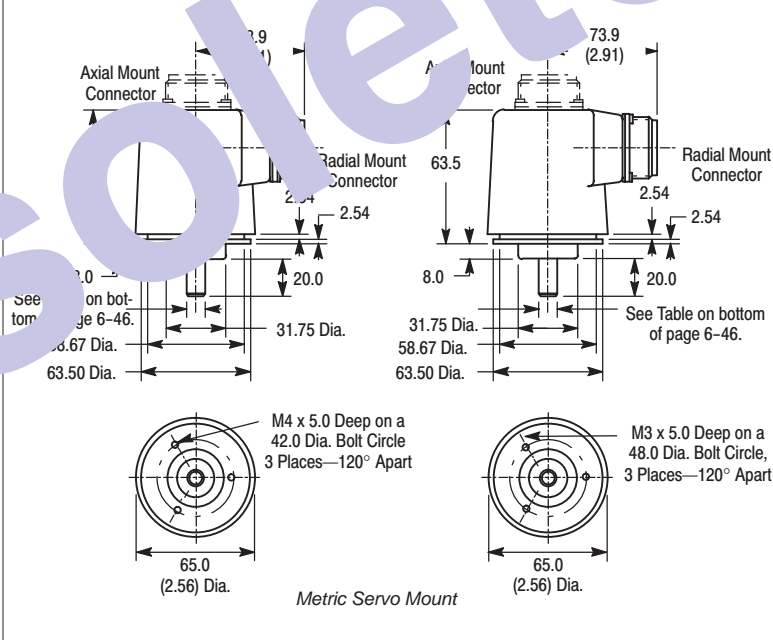
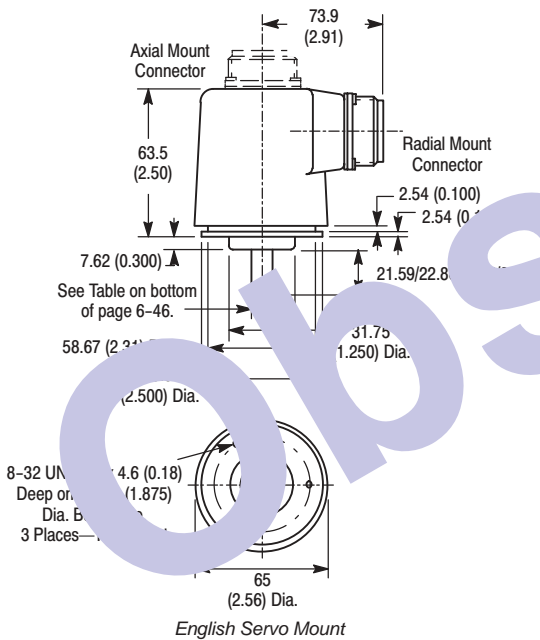
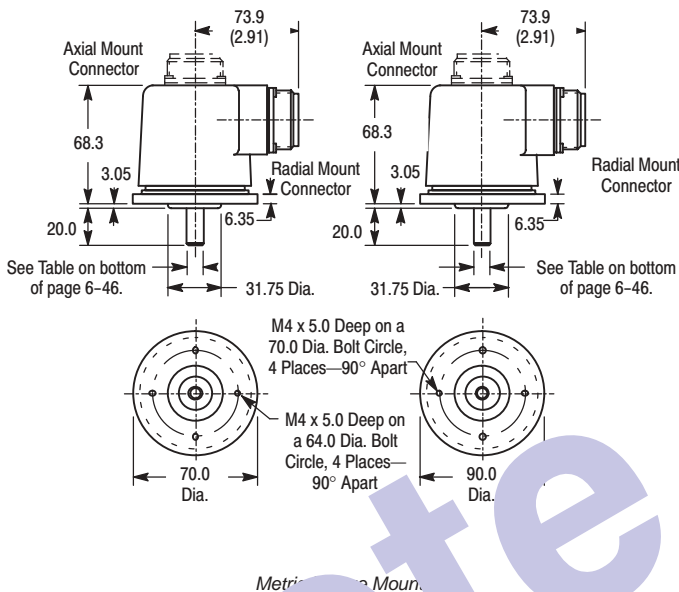
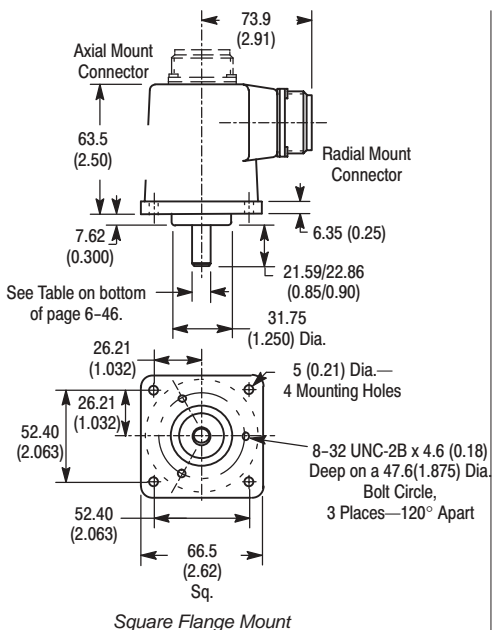
**ATTENTION:** Rigidly coupling the encoder shaft to the machine shaft **will cause a failure** in either the bearings of the encoder or the bearings of the machine shaft.

**IMPORTANT:** 845S is an obsolete product. Refer to Bulletin 845H for replacement models.

# Bulletin 845S Optical Incremental Encoders

Size 25, IGBT Drive Compatible

## Dimensions—mm (inches)



Connector Type	Output Code	Output Type	Connector Type	Number of Pins
	4	Diff. Line Driver	ACS02E18-1P (023)	10

**IMPORTANT:** 845S is an obsolete product.  
Refer to Bulletin 845H for replacement models.

# Allen-Bradley Automation

**Bulletin 845T Incremental Encoders**

Size 20, Heavy Duty



Square Flange Mount  
845T-DZ13ECR

**Description**

Bulletin 845T optical incremental encoders are used to electronically monitor the position of a rotating shaft. Shaft motion is converted to digital pulses which are accumulated and evaluated by various electronic controllers. The 845T provides code disk resolutions of up to 3000 pulses per revolution, and a frequency response of up to 100kHz.

The Bulletin 845T encoder is a heavy duty, NEMA Type 4, and IP66 (IEC 529) rated optical incremental shaft encoder that is housed in a two inch diameter enclosure. Typical applications for the 845T include machine tools, packaging machinery, motion controls, and robotics. The heavy duty bearing assembly, rugged construction and high shaft loading capabilities make the 845T suitable for many of today's harsh industrial environments.

**Features**

- Code disk resolution up to 3000 PPR
- Metal disk up to 600 PPR
- Input reverse polarity protection
- CE marked for all applicable directives

**Specifications**

<b>Electrical</b>	
<b>Code Format</b>	Incremental (A, AB or ABZ channels)
<b>Quadrature</b>	90° ±22° Channel A leads B CCW
<b>Symmetry</b>	50% ±10%
<b>Zero Index Channel</b>	1/2 cycle, gated to channel B̄
<b>Power Requirements</b>	Determined by catalog number: 5V DC ±5% @ 150mA maximum 11-20V DC @ 150mA maximum 24V DC @ 150mA maximum
<b>Frequency Response</b>	Data: 100kHz                      Zero index: 100kHz
<b>Operating Speed (Data)</b>	(100kHz x 60)/pulses per revolution = RPM or 15,000 RPM, whichever is lower
<b>Resolution</b>	Up to 3000 PPR on code disk
<b>Output Drive Capability</b>	Push-Pull Single Ended Driver = ±20mA Differential line driver = ±20mA
<b>Mechanical</b>	
<b>Starting Torque</b>	2.5Ncm typical [3.5in-oz]
<b>Running Torque</b>	2.5Ncm typical [3.5in-oz]
<b>Slew Speed</b>	15,000 RPM
<b>Shaft Loading</b>	Axial: 359N [80lbs] Radial: 359N [80lbs] (10mm, 3/8in shafts) 180N [40lbs] (6mm, 1/4in shafts)
<b>Shaft Size</b>	6mm, 10mm, 6.4mm [1/4in], 9.517mm [3/8in] diameter
<b>Environmental</b>	
<b>Housing</b>	NEMA Type 4, IP66 (IEC 529)
<b>Temperature</b>	0°C to +60°C(+32°F to +140°F)—operating -25°C to +90°C (-13°F to +194°F)—storage
<b>Humidity</b>	98%, noncondensing
<b>Shock</b>	50g (11ms duration)
<b>Vibration</b>	20g (5 to 2000Hz)
<b>Approximate Ship Weight</b>	0.44kg (14oz)

**Accessories**

<b>Description</b>	<b>Page Number</b>
Flexible Couplings	6-52
Measuring Wheels	6-53
Servo Clamps	6-53
Pre-Wired Cables	6-54
Mating Connectors	6-57
Mounting Plates	6-57
Differential Encoder Buffer Board	6-60

## Selection Guide

845T — **D** **Z** **1** **3** **E** **CR** — **C**

*a*   *b*   *c*   *d*   *e*   *f*   *g*

**a**

Mounting Configuration	
Code	Description
D	Square Flange
H	Servo with Face Mount Holes
L	Servo without Face Mount Holes

**b**

Shaft Options	
Code	Description
A	6mm Diameter
B	10mm Diameter
C	1/4in Diameter
Z	3/8in Diameter
K	6mm w/Flat
L	10mm w/Flat
M	1/4in w/Flat
N	3/8in w/Flat

**c**

Electrical Options ①	
Code	Description
1	5V DC in, 5V DC DLD Out
2	5V DC in, 5V DC P-P Out
3	11-24V DC in, 11-24V DC P-P Out
4	11-20V DC in, 5V DC DLD Out
5	24V DC in, 5V DC DLD Out
6	11-24V DC in, 11-24V DC DLD out

① DLD = Differential Line Driver  
P-P = Push-Pull Single Ended Driver

**d**

Signal Options	
Code	Description
1	Channel A Only
2	Channel A and B
3	Channel A, B, and Z

**e**

Connection Options	
Code	Description
A	6 Pin Connector ②
B	7 Pin Connector ②
E	10 Pin Connector
P	Pigtail Cable

② This option not available with Electrical Option codes: "1," "4," "5" or "6."

**f**

Resolution	
Code	Description (PPR)
AG	1
AM	5
BG	10
CA	50
CB	60
CE	64
CF	80
CG	100
DB	120
DF	150
EB	180
CH	200
CJ	250
CC	254
CW	256
EG	300
CK	360
CL	400
CM	500
DW	512
EH	600
DG	720
DL	800
LG	900
CN	1000
FW	1024
EL	1200
CD	1250
RF	1280
CU	1472
EM	1500
FL	1600
CP	1800
DN	2000
CS	2048
HL	2400
CR	2500
CY	2540
LJ	2750
EN	3000

**g**

Mating Connector/Cable Length	
Code	Description
Blank	Without Mating Connector ③
C	With Mating Connector ③
1	1m (3.28ft) Cable Length ④
5	5m (16.4ft) Cable Length ④
9	9m (29.52ft) Cable Length ④

③ These options not available with Connection Options code: "P."

④ These options not available with Connection Options code: "A," "B," & "E."

## Cable

## Push-Pull Outputs

Wire Pair	Wire Color	Function
Red/Black	Red	DC+ Input
	Black	DC Return
White/Black	White	Channel A Output
	Black	Not Connected
Blue/Black	Blue	Channel B Output
	Black	Not Connected
Green/Black	Green	Channel Z Output
	Black	Not Connected

## Differential Line Driver Outputs

Wire Pair	Wire Color	Function
Red/Black	Red	DC+ Input
	Black	DC Return
White/Black	White	Channel A Output
	Black	Channel $\bar{A}$ Output
Blue/Black	Blue	Channel B Output
	Black	Channel $\bar{B}$ Output
Green/Black	Green	Channel Z Output
	Black	Channel $\bar{Z}$ Output

# Bulletin 845T Incremental Encoders

Size 20, Heavy Duty

## Electrical Connections

### 6-Pin Connector (ACS02E14S-6P (023))

**Push-Pull Outputs**

Pin	Function	Pin	Function
A	DC Return	D	Channel B Output
B	DC+ Input	E	Channel A Output
C	Channel Z Output	F	No Connection

### 7-Pin Connector (ACS02E16S-1P (023))

**Push-Pull Outputs**

Pin	Function	Pin	Function
A	Channel A Output	E	No Connection
B	Channel B Output	F	DC Return
C	Channel Z Output	G	No Connection
D	DC+ Input	—	No Connection

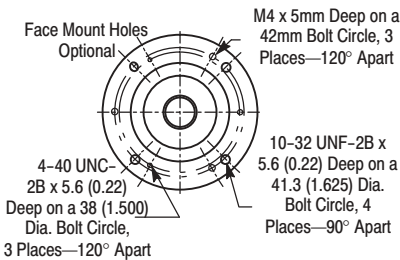
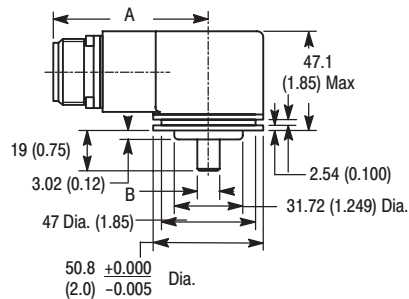
### 10-Pin Connector (ACS02E18-1P (023))

**Push-Pull, Differential Line Driver Outputs**

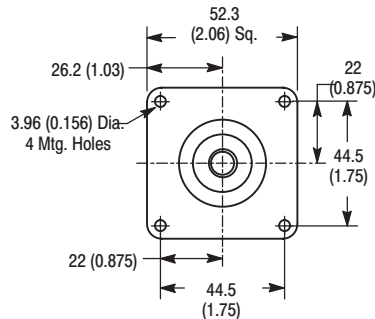
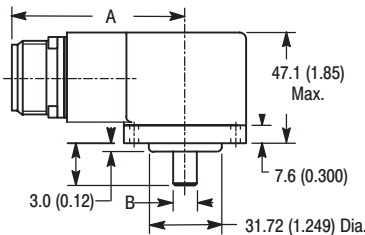
Pin	Function	Pin	Function
A	Channel A Output	F	DC Return
B	Channel B Output	G	No Connection
C	Channel Z Output	H	Channel $\bar{A}$ Output
D	DC+ Input	I	Channel $\bar{B}$ Output
E	No Connection	J	Channel $\bar{Z}$ Output

❶ Not included with push-pull outputs

## Dimensions—mm (inches)



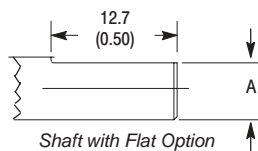
Servo Mount



Square Flange Mount

## Shaft Diameter Options Dimension "B"

Code	Shaft Diameter
A or K	6mm +0.00mm, -0.013mm
B or L	10mm +0.00mm, -0.013mm
C or M	6.35 (0.2499) +0.0000, -0.0005
Z or N	9.52 (0.3749) +0.0000, -0.0005



Option H Mounting Configuration includes all 3 sets of mounting holes.

## Connector Dimensions

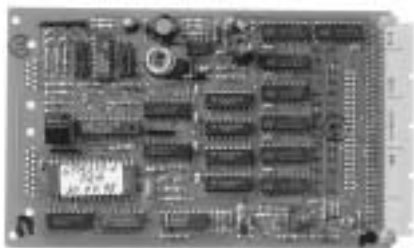
Dimension Code	Radial Connector Options	Length mm (inches)
A	ACS02E14S-6P (023)	57.7 (2.272)
	ACS02E16S-1P (023)	62.5 (2.460)
	ACS02E18-1P (023)	68.9 (2.691)

## Flat Dimensions

Code	Dimension "A"
K	5.3mm (0.21in)
L	9.1mm (0.36in)
M	5.5mm (0.22in)
N	8.6mm (0.34in)

## Bulletin 842 Encoder Accessories

## Serial Parallel Adaptor/SPA Card Holder



Serial Parallel Adaptor  
842-SPA

## Selection Guide

## 842 — SPA

Size	10.3 x 165mm (4 x 6.5in)
Voltage Supply	11-32V DC
Power Requirements	250mA
Operating Temperature	0°C to 50°C (32°F to 122°F)
Output Driver (parallel)	Push-pull, 5-32V, 20mA (max)
Input	RS422 (SSI)

## Description

The 842-SPA, Serial Parallel Adaptor, converts Synchronous Serial Interface (SSI) signals to parallel data format. The 842-SPA is used with 842A, 845G and 845GM absolute encoders.

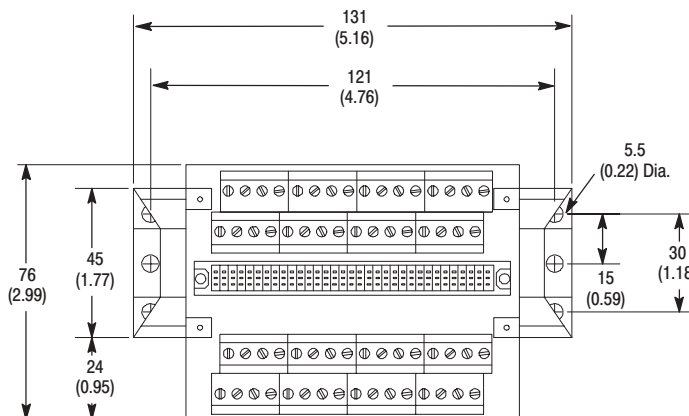
Typically, one each of the 842-SPA and 842-CH are ordered for each application.



SPA Card Holder  
842-CH

## Selection Guide

## 842 — CH



## Description

The 842-CH is the card holder for the 842-SPA. It is designed to be mounted in an enclosure provided by the user. The card holder should be mounted as close as possible to the controller or input card.

Typically, one each of the 842-SPA and 842-CH are ordered for each application.

The 842-CH can accommodate wire sizes from #26 to 16AWG.

# Allen-Bradley Automation

# Bulletin 845 Encoder Accessories

## Flexible Couplings



High Performance Flexible Coupling  
845-FC-B-B

### Selection Guide— High Performance

845 — FC — **B** — **B**  
a b

Smallest Bore Diameter	
Code	Description
A	1/4in
B	3/8in
R	6mm
T	10mm

b

Largest Bore Diameter	
Code	Description
A	1/4in
B	3/8in
C	1/2in
R	6mm
T	10mm

### Description

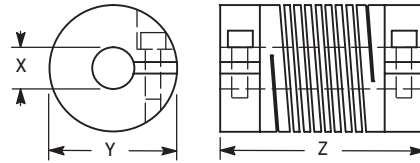
High performance flexible couplings are used to connect two shafts, and help to reduce the effects of misalignment between the shafts. Flexible couplings are offered in the high performance version, with nonconductive inserts. They are of the flexible curved beam helical type with clamping screw at both ends.

### Specifications

Parallel Offset	0.51mm (0.020in) max
Angular Offset	10.0° max
Axial Compliance	1.58mm (0.060in) max
Construction	Aluminum with a fiberglass insert

### Dimensions—mm (inches)

#### High Performance Flexible Coupling



Dimension Code	Bore Size Code Letter				
	A	B	C	R	T
X	6.4 (0.25)	9.5 (0.375)	12.7 (0.50)	6	10
Y	30.56 (1.20) Dia.				
Z	32 (1.25) Long				



Miniature Style Flexible Coupling  
845-FC-1

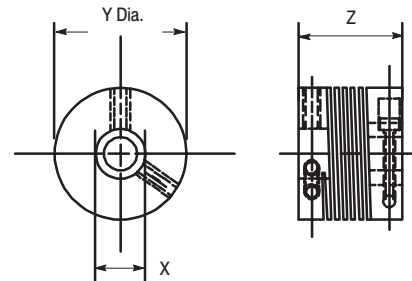
### Selection Guide— Miniature Style

845 — FC — **1**  
a

Bore Diameter	
Code	Description
1	3/8in to 3/8in
2	1/4in to 3/8in

### Dimensions—mm (inches)

#### Miniature Style Flexible Coupling



Dimension Code	Bore Size Code Letter	
	1	2
X	9.5 (0.375)	6.4 (0.25)
Y	25.40 (1.0) Dia.	
Z	19 (0.750) Long	

### Specifications

Parallel Offset	0.25mm (0.010in) max
Angular Offset	5.0° max
Axial Compliance	0.76mm (0.030in) max
Construction	Aluminum with a fiberglass insert



Selection Guide

845 — M W — A — 1  
a



Polyurethane 845-MW-A-2 Rubber O-Ring 845-MW-A-1

Contact Material	
Code	Description
1	Rubber O-Ring
2	Polyurethane

Specifications

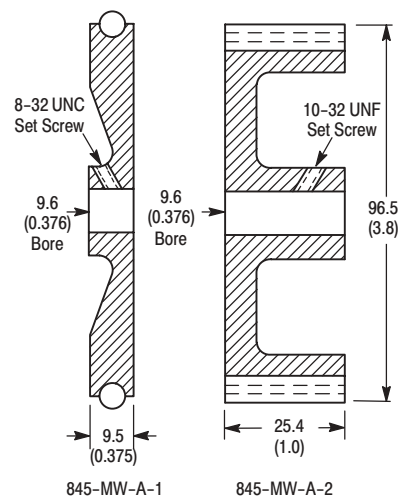
Circumference	304.8mm (12.00in)
Bore Hole Diameter	9.6mm (0.376in) Diameter
Durometer	70 Shore D
Material	Cast Aluminum

Description

Measuring wheels are used to convert a fixed amount of linear motion to a corresponding amount of rotary motion. Rubber O-Ring type contact material is used on metal, paper, foil, film and hard plastics. Polyurethane type contact material is used on soft smooth materials, such as soft paper, cardboard and fine weave textiles.

Dimensions—mm (inches)

Measuring Wheels



Selection Guide

845 — SC



Servo Clamps 845-SC

Dimension Code	Approximate Dimension
A	2.38 ±0.003 (0.093)
B	1.02±0.003 (0.040)
C	3.38 (0.133)
D	9.5+0.000, -0.032 (0.375)
E	3.43 (0.135)
F	9.90 (0.390)
G	3.18 (0.125)
H	1.73 (0.068) max.
J	#4-40
K	0.25 (0.010)

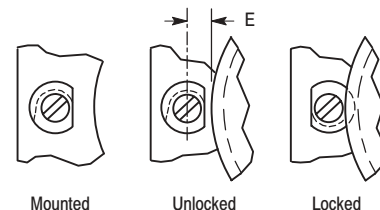
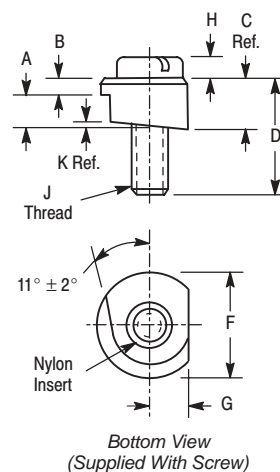
Material: Stainless Steel 316

Description

Servo clamps are used for the mounting of all encoders with the servo type mounting option. For the size 15 device, 3 clamps are arrayed on a 48.1mm (1.895in) diameter bolt circle. For the size 20 device, 3 or 4 clamps are arrayed on a 57.7mm (2.27in) diameter bolt circle. For 60mm encoders (i.e., the 842A), 3 or 4 clamps are arrayed on a 66.3mm (2.61in) diameter bolt circle. For the size 25 device, 3 or 4 clamps are arrayed on a 70.4mm (2.77in) diameter bolt circle. Servo clamps are sold as a kit (set of 4 clamps).

Dimensions—mm (inches)

Servo Clamps



# Bulletin 845 Encoder Accessories

## Pre-Wired Cable Assemblies

### Selection Guide

845 — CA — C — 25

*a*      *b*



6 Pin Connector  
845-CA-A-50

### Description

The following pre-wired cable assemblies are available for use with Allen-Bradley encoder products. The cables are wired to the appropriate mating connector for the encoder with which they will be used. The other end of the cable will be a stripped and tinned pigtail. Connector catalog numbers shown below from Amphenol Corporation.

Connector		
Code	Description	Cable Type
A	6 Pin (845T)	Alpha 6054C or equivalent
B	7 Pin (845F, H, T)	
C	10 Pin (845F, H, T, 844D)	
D	19 Pin (845D, G, GM)	Alpha 5199/20C or equivalent
G	12 Pin (842A, 845G, GM)	Alpha 6054C or equivalent
H	17 Pin (845G)	Alpha 5199/20C or equivalent
K	10 Pin (845F, H, T)	Alpha 6318 or equivalent ②
PY	10 Pin (845PY)	Alpha 6054C or equivalent

Cable Length ①	
Code	Description
10	10ft
25	25ft
50	50ft ②
100	100ft ②

- ① See table on page 6–56 for other available lengths.
- ② Not recommended for 5V DC powered encoders.
- ③ Low capacitance cable for long cable runs.

Catalog Number	Wire Pair	Wire Color	Function	Pin
845-CA-A- (With 6 pin ACS06E14S-6S (023) connector)	Red/Black/Shield	Red	+DC Input	B
		Black	DC Common	A
	White/Black/Shield	White	CH A	E
		Black	N/C	—
	Blue/Black/Shield	Blue	CH B	D
		Black	N/C	—
	Green/Black/Shield	Green	CH Z	C
		Black	N/C	—

Catalog Number	Wire Pair	Wire Color	Function	Pin
845-CA-B- (With 7 pin ACS06E16S-1S (023) connector)	Red/Black/Shield	Red	+DC Input	D
		Black	DC Common	F
	White/Black/Shield	White	CH A	A
		Black	N/C	—
	Blue/Black/Shield	Blue	CH B	B
		Black	N/C	—
	Green/Black/Shield	Green	CH Z	C
		Black	N/C	—

Catalog Number	Wire Pair	Wire Color	Function	Pin
845-CA-C- (With 10 pin ACS06E18-1S (023) connector)	Red/Black/Shield	Red	+DC Input	D
		Black	DC Common	F
	White/Black/Shield	White	CH A	A
		Black	CH $\bar{A}$	H
	Blue/Black/Shield	Blue	CH B	B
		Black	CH $\bar{B}$	I
	Green/Black/Shield	Green	CH Z	C
		Black	CH $\bar{Z}$	J

## Bulletin 845 Encoder Accessories

## Pre-Wired Cable Assemblies

Catalog Number	Wire Color	Pin	Wire Color	Pin
845-CA-D- (With 19 pin PT06E14-19S connector)	Brown	A	White/Red	L
	Orange	B	White/Yellow	M
	Yellow	C	White/Green	N
	Green	D	White/Blue	P
	Blue	E	White/Black	R
	Violet	F	White/Violet	S
	Gray	G	Black	T
	White	H	White/Gray	U
	White/Orange	J	Red	V
	White/Brown	K	White/Black/Brown	—
			Shield	Shield

Catalog Number	Wire Pair	Wire Color	Function	Pin
845-CA-G- (With 12 pin connector)	Red/Black/Shield	Red	+DC Input	8
		Black	DC Common	1
	White/Black/Shield	White	Clock +	3
		Black	Clock -	11
	Blue/Black/Shield	Blue	Data +	2
		Black	Data -	10
	Green/Black/Shield	Green	CW/CCW	12
		Black	NC	—

Catalog Number	Wire Color	Pin	Wire Pair	Pin
845-CA-H- (With 17 pin MS3106E20-29S connector)	White/Orange	A	White/Green	L
	White	B	White/Yellow	M
	Gray	C	White/Red	N
	Violet	D	White/Blue	P
	Blue	E	Black	R
	Yellow	F	Red	S
	Orange	G	Green	T
	Brown	H		
	White/Violet	J		
	White/Brown	K		
			Shield	Shield

# Allen-Bradley Automation

# Bulletin 845 Encoder Accessories

## Pre-Wired Cable Assemblies

Catalog Number	Wire Pair	Wire Color	Function	Pin
845-CA-K- (With 10 pin ACS06E18-1S (023) connector)	Red/Black/Shield	Red	+DC Input	D
		Black	DC Common	F
	White/Black/Shield	White	CH A	A
		Black	CH $\bar{A}$	H
	Blue/Black/Shield	Blue	CH B	B
		Black	CH $\bar{B}$	I
	Green/Black/Shield	Green	CH Z	C
		Black	CH $\bar{Z}$	J
All Shields	—	Shield	G	

Catalog Number	Wire Pair	Wire Color	Function	Pin
845-CA-PY- (With 10 pin ACS06E18-1S (023) connector)	Red/Black/Shield	Red	+DC Input	D
		Black	DC Common	F
	White/Black/Shield	White	CH A	A
		Black	CH $\bar{A}$	H
	Green/Black/Shield	Green	CH B	B
		Black	CH $\bar{B}$	I

Catalog Number	Description	Catalog Number	Description
845-CA-A-10	6 Pin Connector for 845T—3m (10ft)		
845-CA-A-25	6 Pin Connector for 845T—7.6m (25ft)		
845-CA-A-50	6 Pin Connector for 845T—15.2m (50ft)		
845-CA-A-100	6 Pin Connector for 845T—30.4m (100ft)		
845-CA-B-10	7 Pin Connector for 845F, H, T—3m (10ft)	845-CA-G-10	12 Pin Connector for 842A, 845G <sup>①</sup> , GM <sup>②</sup> —3m (10ft)
845-CA-B-25	7 Pin Connector for 845F, H, T—7.6m (25ft)	845-CA-G-25	12 Pin Connector for 842A, 845G <sup>①</sup> , GM <sup>②</sup> —7.6m (25ft)
845-CA-B-50	7 Pin Connector for 845F, H, T—15.2m (50ft)	845-CA-G-50	12 Pin Connector for 842A, 845G <sup>①</sup> , GM <sup>②</sup> —15.2m (50ft)
845-CA-B-100	7 Pin Connector for 845F, H, T—30.4m (100ft)	845-CA-G-100	12 Pin Connector for 842A, 845G <sup>①</sup> , GM <sup>②</sup> —30.4m (100ft)
845-CA-C-10	10 Pin Connector for 845F, H, T, 844D—3m (10ft)	845-CA-H-10	17 Pin Connector for 845G—3m (10ft)
845-CA-C-25	10 Pin Connector for 845F, H, T, 844D—7.6m (25ft)	845-CA-H-25	17 Pin Connector for 845G—7.6m (25ft)
845-CA-C-50	10 Pin Connector for 845F, H, T, 844D—15.2m (50ft)	845-CA-H-50	17 Pin Connector for 845G—15.2m (50ft)
845-CA-C-100	10 Pin Connector for 845F, H, T, 844D—30.4m (100ft)	845-CA-H-100	17 Pin Connector for 845G—30.4m (100ft)
845-CA-C-200	10 Pin Connector for 845F, H, T, 844D—60.9m (200ft)	845-CA-K-10	10 Pin Connector <sup>②</sup> —3m (10ft)
845-CA-C-330	10 Pin Connector for 845F, H, T, 844D—100.5m (330ft)	845-CA-K-25	10 Pin Connector <sup>②</sup> —7.6m (25ft)
845-CA-D-10	19 Pin Connector for 845D, G, GM—3m (10ft)	845-CA-K-50	10 Pin Connector <sup>②</sup> —15.2m (50ft)
845-CA-D-25	19 Pin Connector for 845D, G, GM—7.6m (25ft)	845-CA-K-100	10 Pin Connector <sup>②</sup> —30.4m (100ft)
845-CA-D-50	19 Pin Connector for 845D, G, GM—15.2m (50ft)	845-CA-K-200	10 Pin Connector <sup>②</sup> —60.9m (200ft)
845-CA-D-100	19 Pin Connector for 845D, G, GM—30.4m (100ft)	845-CA-K-300	10 Pin Connector <sup>②</sup> —91.4m (300ft)
845-CA-D-150	19 Pin Connector for 845D, G, GM—45.7m (150ft)	845-CA-K-400	10 Pin Connector <sup>②</sup> —121.9m (400ft)
845-CA-D-200	19 Pin Connector for 845D, G, GM—60.9m (200ft)	845-CA-PY-10	10 Pin Connector for 845PY—3m (10ft)
		845-CA-PY-25	10 Pin Connector for 845PY—7.6m (25ft)
		845-CA-PY-50	10 Pin Connector for 845PY—15.2m (50ft)
		845-CA-PY-100	10 Pin Connector for 845PY—30.4m (100ft)

Cables 50ft and longer not recommended for 5V DC powered encoders.

① 845-CA-G-\*\* for 845G and 845GM SSI models.

② Low capacitance cable for long cable runs.

# Bulletin 845 Encoder Accessories

## Mating Connectors/Mounting Plates

### Selection Guide

845 — 10P

a



Mating Connectors

### Description

Mating connectors listed are either included with, or available as standard options for all encoder products.

a	
Connector	
Code	Description
6P	6 Pin (845T)
7P	7 Pin (845F, H, T)
7P-RT	7 Pin, Right Angle (845F, H, T)
10P	10 Pin (845F, H, T, PY, 844D)
10P-RT	10 Pin, Right Angle (845F, H, T, PY, 844D)
12P	12 Pin (842A, G, GM)
SCD	19 Pin, KPT06F-14-19S (845D, G, GM)
17P	17 Pin, MS3106E20-29S (845G)

### Description

Mounting plates are used to physically mount the encoder or resolver to the rotating member that is to be monitored.

### Selection Guide

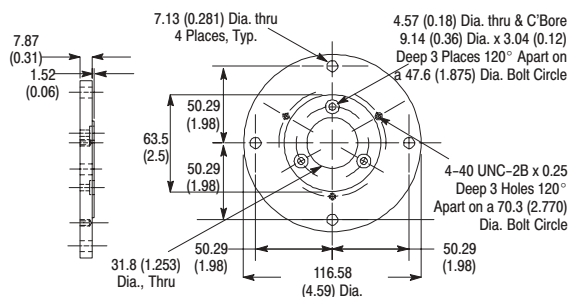
845 — MB — 1

a

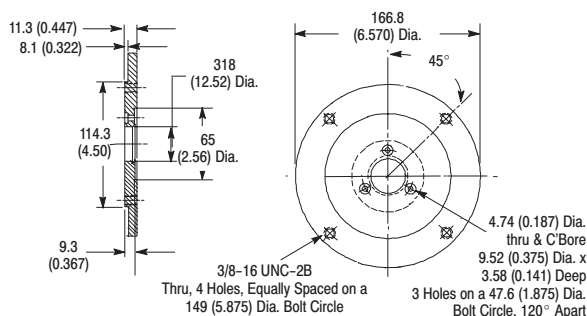
### Dimensions—mm (inches)



845-MB-1



845-MB-2



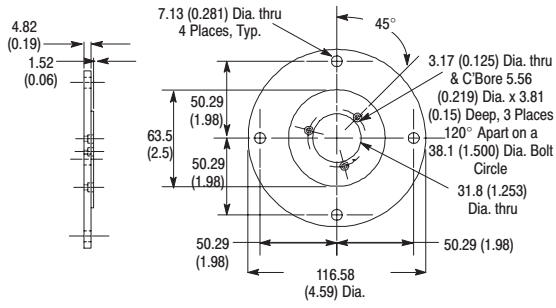
a	
Plate	
Code	Description
1	5PY Mounting Plate for Size 25 Face or Servo Mount (845H, K, G, D)
2	BC42 Mounting Plate for Size 25 Face Mount (845H, K, G, D)
3	5PY Mounting Plate for Size 20 Face Mount (845T)
4	Integral Coupling Flange, Miniature Style (845D, G, H, K, T) ①
5	Integral Coupling Flange, High Performance (845D, G, H, K, T) ①
6	BC48 Servo to Square (842A) ②
7	0.1875 Servo to Square (845H, K) ②
8	NEMA 180 C-Face Mount (845H, K) ③
9	Low Profile Coupling Flange Miniature Style (845D, G, H, K, T)

- ① For size 20/25 face mount
- ② Square flange adaptor
- ③ Face or servo mount

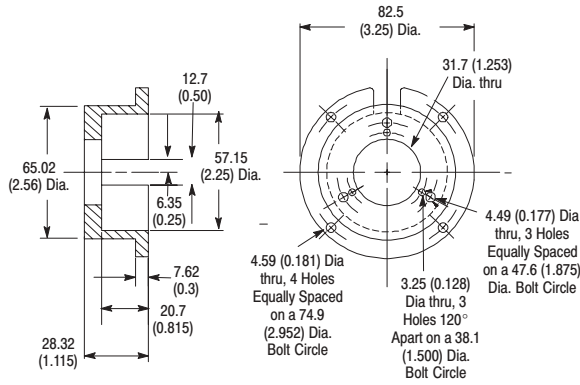
Dimensions—mm (inches) (continued)



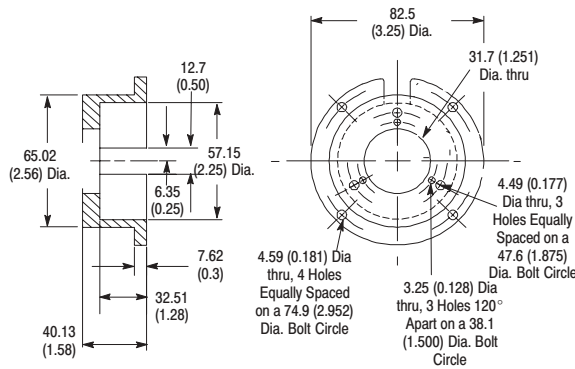
845-MB-3



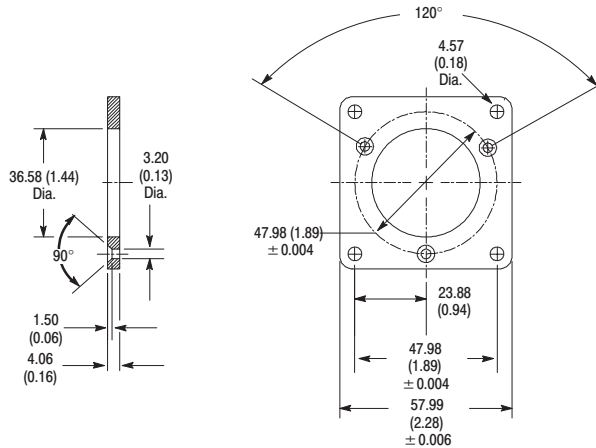
845-MB-4



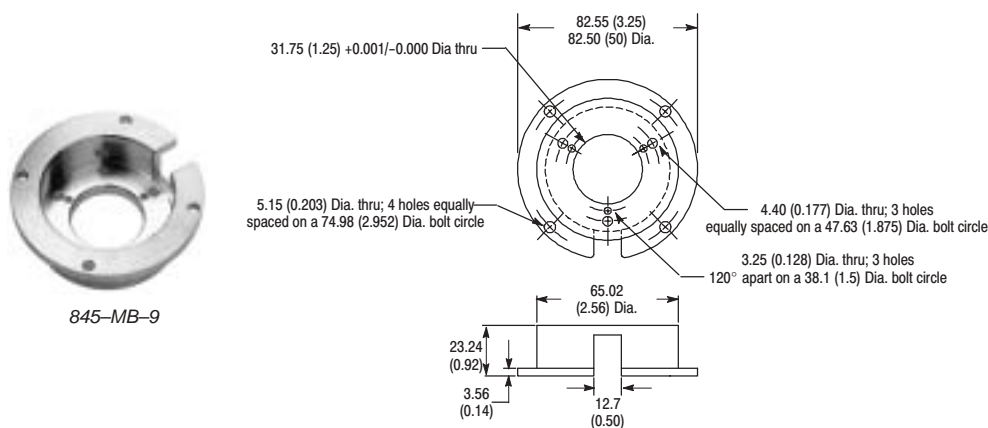
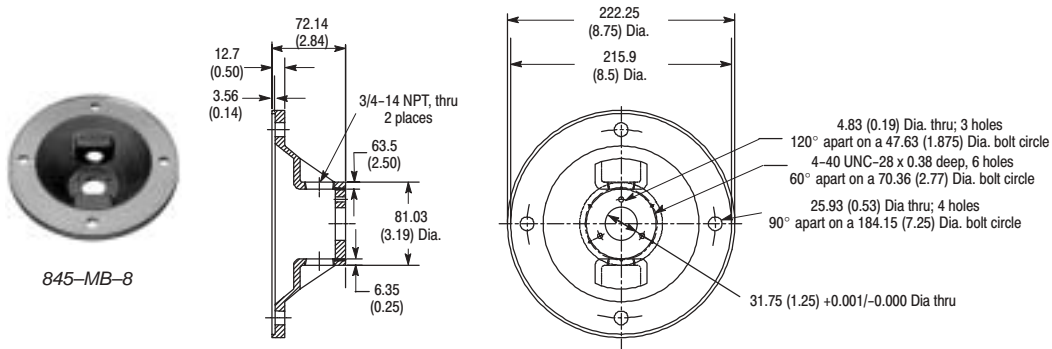
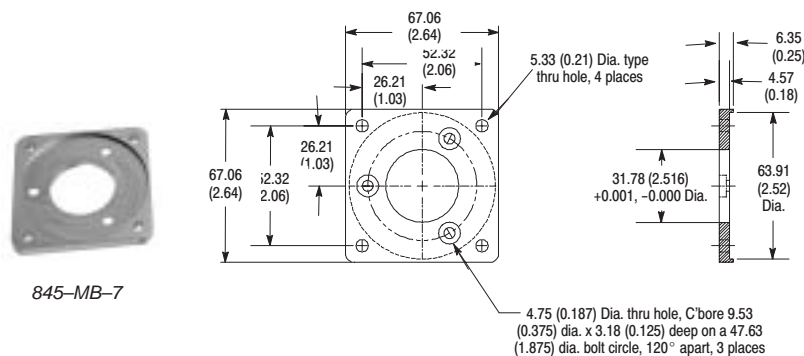
845-MB-5



845-MB-6



Dimensions—mm (inches) (continued)

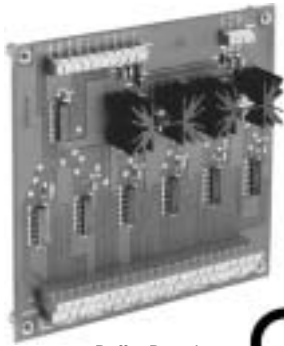


Encoder Mounting Plate Options

Mounting Plate	Option 1	Option 2	845D #1	845D #2	845G	845K	845T
845-MB-1	845H-SJD*	845H-SJH*	845D-S*D*	845-S*H*	845G-*	845K-*	
845-MB-2							
845-MB-3							
845-MB-4	845H-SJD*	845H-SJH*	845D-S*D*	845D-S*H*	845G-*	845K-*	845T-H*
845-MB-5							
845-MB-6	842A-31*						
845-MB-7	845H-SJH*			845D-S*H*	845G-S*	845K-SAH*	
845-MB-8	845H-SJD*	845H-SJH*	845D-S*D*	845D-S*H*	845G-*	845K-*	
845-MB-9							

# Bulletin 845 Encoder Accessories

## Differential Encoder Buffer Board



Buffer Board  
845-BB



### Selection Guide

**845 — BB**

### Specifications

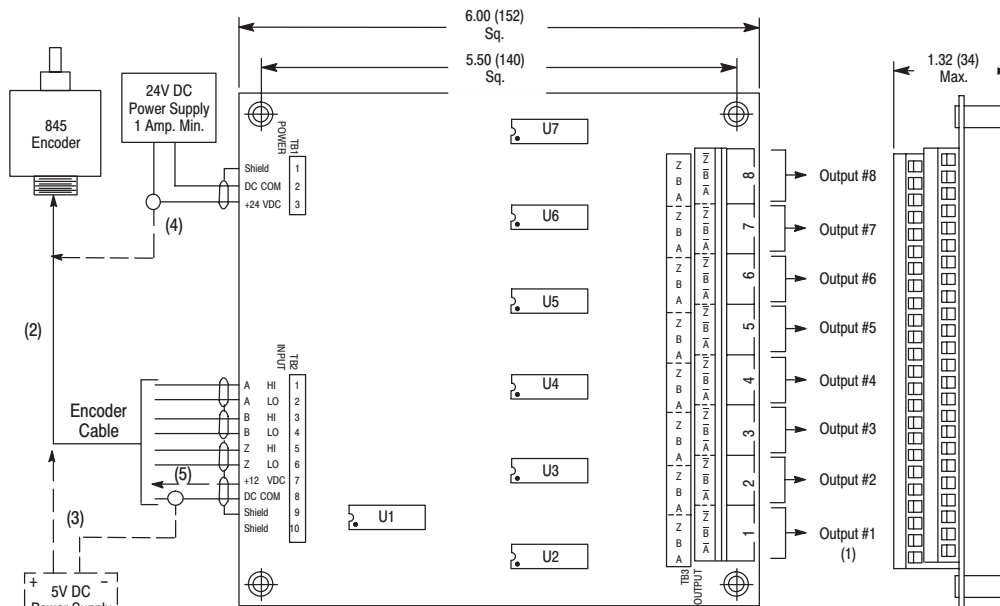
Electrical	
<b>Power Requirements</b>	24V DC ±10% filtered @ 1A maximum
<b>Input Code Format</b>	Incremental differential line driver dual channel with zero index
<b>Input Signal</b>	5V DC RS-422 differential line driver
<b>Available Encoder Power</b>	12V DC ±10% @ 220mA maximum
<b>Frequency Response</b>	250kHz maximum
<b>Outputs</b>	Eight (8) sets of ABZ channel 5V DC RS-422 differential line driver signals
<b>Output Drive Capability</b>	±20mA per channel
Mechanical	
<b>Dimensions</b>	152mm (6in) x 152mm (6in) x 34mm (1.32in) maximum
<b>Mounting</b>	Thru-hole standoffs on circuit board four (4) holes on a 140mm (5.5in) square
<b>Enclosure</b>	None (non-enclosed circuit board)
Environmental	
<b>Temperature</b>	0°C to +50°C (+32°F to +122°F) — operating -25°C to +90°C (-13°F to +194°F)—storage
<b>Humidity</b>	98%, Noncondensing
<b>Approximate Ship Weight</b>	0.23kg (0.5lbs)

### Description

The 845-BB buffer board is an encoder interface designed to allow a single differential line driver type encoder to be wired to eight sets of differential inputs. The inputs may be programmable controllers, numerical controllers, motion controllers, and other positioning systems that require differential encoder input signals.

The 845-BB buffer board should be mounted in the I/O cabinet and will provide a degree of immunity to electrical noise. The buffer board is powered with 24V DC, 1A maximum. Internal voltage regulator circuits make available 12V DC as encoder power. All connections are made via terminal strips mounted on the buffer board.

### Dimensions—mm (inches)



Notes:

- (1) Output cable is (Alpha 6053C) or (Belden 9329) or equivalent.
- (2) Encoder cable is (Alpha 6054C) or (Belden 9330) or equivalent.
- (3) For 5V DC Encoders, connect 5V common to DC common (max cable length = 30 feet).
- (4) Connect for 24V DC Encoders.
- (5) Connect for 12V DC Encoders.