

## Fiber Optic Cables

### Introduction



**Many new products have been added. Orders can be placed using either the new catalog numbers (43GR–TBB25SL) or the prior catalog numbers (99–32–1).**

Fiber optic sensors permit the attachment of “light pipes” called fiber optic cables. Light emitted from the source is sent through transparent fibers in the cables and emerges at the end of the fiber. The transmitted or reflected beam is then carried back to the receiver through different fibers. Ideal for sensing small objects, fiber optic cables can be mounted in locations that would otherwise be inaccessible to photoelectric sensors. Other characteristics/advantages of fiber optic sensors include:

- Some glass fiber optic tips have the ability to withstand high temperatures (up to 900°F)
- Withstand extreme shock and vibration
- Often have the fastest response times
- Immunity to electrical interference (EMI, RFI).

#### Fiber Optic Cables—Types

Fiber optic cables can be made of glass or plastic and categorized as either individual (transmitted beam) or bifurcated (diffuse).

Glass fiber optic cables contain multiple strands of very thin glass fiber that are bundled together in a flexible sheath. Typically more durable than their plastic

counterparts, glass fiber optic cables will withstand much higher temperatures; glass fiber optic cables with a stainless steel sheath are rated up to 260°C (500°F). Special glass cables can be obtained with temperature ratings of up to 482°C (900°F). Most glass cables are available with a choice of PVC or flexible stainless steel sheath. While PVC-sheathed cables are typically less expensive, stainless steel sheathing offers greater durability and allows the cables to operate in higher temperatures. Glass fibers can be used with infrared or visible LED light sources.

Individual glass strand diameters range from 25µ (0.001in) to 50µ (0.003in). Light transmission is maximized with a thicker bundle diameter. It is also important to note that attenuation increases as fiber optic cable length increases. For further details, see the Application Recommendations section on page 1–295.

Plastic fiber optic cables are constructed of a single acrylic monofilament and, since plastic fibers absorb infrared light, they are most efficient when used with visible red LED sources. It is recommended that plastic fiber optic cables are used with visible light sources. Considered less durable than glass cables, plastic fibers are generally less expensive and can be

used in applications where continuous flexing of the cable is required. For that reason, coiled plastic cables are also available for such applications.

#### General Information

Sensor and Sensing Tip Selection . . . . . page 1–293 and 1–294

#### Glass Fiber Optic Cables

Application  
 Recommendations . . . . . page 1–295  
 Large Aperture Fibers . . . . . page 1–298  
 Small Aperture Fibers . . . . . page 1–322  
 Custom Fiber Configurator page 1–331  
 Sensing Tip Drawings . . . . . page 1–333  
 Standard Bundle Sizes . . . . . page 1–345  
 Accessories . . . . . page 1–346

#### Plastic Fiber Optic Cables

Application  
 Recommendations . . . . . page 1–347  
 Small Aperture Fibers . . . . . page 1–351  
 Miniature Aperture Fibers . . . . . page 1–358  
 Special Purpose Fibers . . . . . page 1–362  
 Custom Fiber Configurator . . . . . page 1–364  
 Sensing Tip Drawings . . . . . page 1–366  
 Standard Bundle Sizes . . . . . page 1–370  
 Accessories . . . . . page 1–371

Catalog Number Index . . . . . page 9–1

## Selection Process

### 1. Determine the sensing mode (reliability)

- Transmitted beam (two separate cables required)
  - Greater distance from sensing tip to the object
  - Reflectivity of the object is low
  - Generally darker colors reflect less light.
- Diffuse (one bifurcated cable)
  - Distance from sensing tip to the object is small
  - Reflectivity of the object is high
  - Generally lighter colors reflect more light.
- Select fiber bundle size for the application.

The smaller the bundle size the smaller the light spot size for seeing smaller objects.

### 2. Choose between glass or plastic fiber optic cables

- Glass
  - Higher temperature rating (up to 900° F possible)
  - Used with infrared or visible red light sources
  - More expensive.
- Plastic
  - Typically used for visible light sources

- Lower temperature applications (lower than 200° F)
- Less expensive.

### 3. Mechanical considerations

- Glass has a more restrictive bending radii (see page 1–295)
- Select stainless steel or PVC sheathing depending on durability requirements
- Select sensing tip configuration based on mounting space availability
  - Threaded tip versus ferruled
  - Straight tip versus 45° or 90° bend
  - Straight tip with light exiting at 90°.

### 4. Cable length


- Determine distance from sensor to object including required bending radii
- Longer distances will reduce sensing distances as fiber optic cables have a resistance to light transfer
  - Light loss is approximately 10% per foot
- Use of extended range lens assemblies significantly increase sensing distance.

## Custom Fiber Optic Cables

Rockwell Automation/Allen-Bradley can provide custom glass fiber optic cables to meet nearly any application requirement.

Typical cable modifications include:

- Custom lengths up to 15.2m (50ft)
- Custom temperature ratings up to 482° C (900° F) applies to glass fiber optic cables
- Custom configurations including multiple sensing tips
- Custom sensing end tips— nearly any modification is possible



**CAUTION:** Standard fiber optic cables are not recommended for explosion-proof applications in hazardous environments. The fiber optic cable can provide a path for explosive fumes to travel from the hazardous area to the safe area.

For more information contact product support at 1.800.666.0001 or +1.978.441.9500. (Reference pages 1–331 to 1–332 for glass and 1–364 to 1–365 for plastic.)

## Sensing Modes

The standard photoelectric sensors, fiber optic sensors are offered in two sensing modes: transmitted beam and diffuse. Reflective sensing can be accomplished in a diffuse mode or retroreflective mode.

Standard **diffuse** sensing with fiber optic cables is similar to sensing with lensed photoelectrics. When adjusted to maximum sensitivity these sensors, using bifurcated fiber optic cables, can detect extremely small targets.

Individual fiber optic cables may be used for more specialized diffuse mode applications. For instance, aiming the two separate sensing tips of the cables at the target can create sharp cutoff, fixed focus and mechanically convergent sensing modes.

## Bifurcated Cable (Diffuse Retroreflective)



Standard **retroreflective** sensing is possible with fiber optics, but polarized retroreflective sensing is not. In some applications, it will be necessary to

reduce the sensitivity of the sensor to prevent diffuse detection of the target.

Transmitted beam sensing, the most reliable sensing mode, requires two

individual fiber optic cables. Targets are detected when they break the light path established between the emitter and receiver cables.

## Fiber Optic Cables

### Introduction

#### Individual Cable (Transmitted Beam)



#### Sensing End Tip Selection

One of the most important decisions to be made when selecting fiber optic cables is the sensing end tip configuration. Among the many considerations:

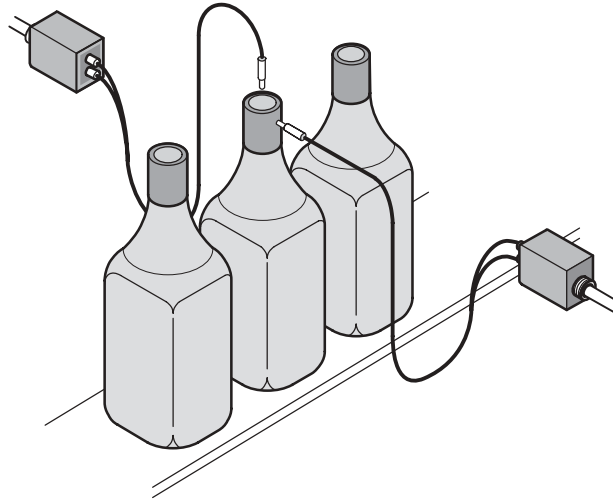
- Size of the object to be sensed
- Rate of travel of the target object
- Distance to the object

- Mounting options
- Environmental conditions
- Moving parts surrounding the object
- Sensing mode

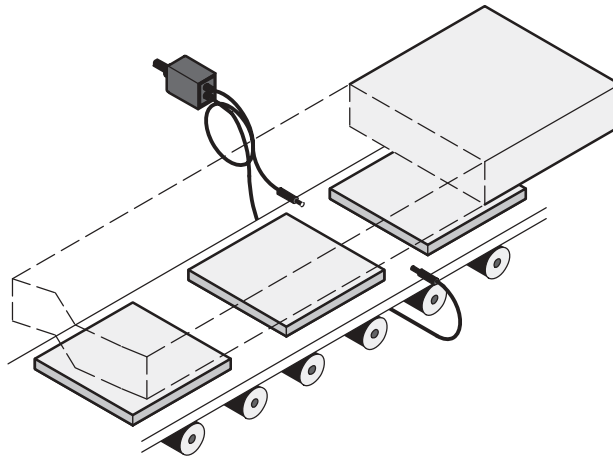
Based on these factors, there are many sensing tips to select from offering various fiber diameters and arrays,

bending radii, threaded and smooth body configurations, etc. The following pages are designed to assist in the selection of the proper sensing end tip for the application. Once a selection has been made, proceed to the fiber optic cables section to select the appropriate fiber optic cable part number.

#### Cork Detection with Bifurcated Fiber Optic Cables



#### Work Piece Detection with Individual Fiber Optic Cables





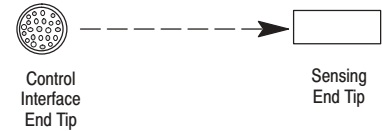
- Avoid sharp bends. The individual glass fibers in the cable can be broken. Don't exceed the following bend tolerances with PVC sheathed cables:

**Minimum Cable Bend Radius**

Bundle Diameter—mm (in)	Minimum Bend—mm (in)
0.68 (0.027)	12.7 (0.50)
1.16 (0.046)	12.7 (0.50)
1.6 (0.063)	15.8 (0.625)
2.28 (0.090)	15.8 (0.625)
3.17 (0.125)	19.0 (0.75)
3.96 (0.156)	25.4 (1.0)
4.57 (0.180)	31.7 (1.25)

- Glass fiber optic cables have a wide **field of view**, typically 66°. A smaller field of view can be achieved by attaching an Extended Range Lens Assembly to the sensing end of the fiber. These lens assemblies will also increase the available sensing distance. Refer to the Accessories section for more information.


- Most glass fiber optic cables have round sensing tips with the glass fibers arranged in a circular configuration. Other cables such as 43GT-FIS40SL offer sensing tips with a **rectangular shaped opening** for the glass fibers, referred to as "slotted" cables (see illustration below).



Use these equivalent diameters to determine the approximate performance of slotted cables. Refer to the Typical Response curves on page 1-296.

Slot Dimensions—mm (in)	Round Sensing Tip Equivalent Diameter—mm (in)
2.5 x 0.5 (0.1 x 0.02)	1.5 (0.06)
0.5 x 2.5 (0.02 x 0.1)	1.5 (0.06)
51 x 0.25 (2.0 x 0.01)	3.1 (0.125)
9.7 x 0.8 (0.382 x 0.032)	3.1 (0.125)
38 x 0.025 (1.5 x 0.01)	3.1 (0.125)

Formula:  
 Approximate diameter = 1.128 x √ Length x Width



**CAUTION:** Standard fiber optic cables are not recommended for explosion-proof applications in hazardous environments. The fiber optic cable can provide a path for explosive fumes to travel from the hazardous area to the safe area.

**Application Recommendations**

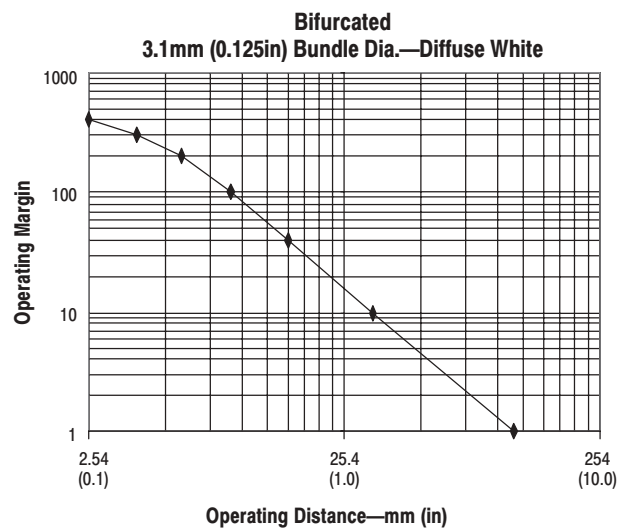
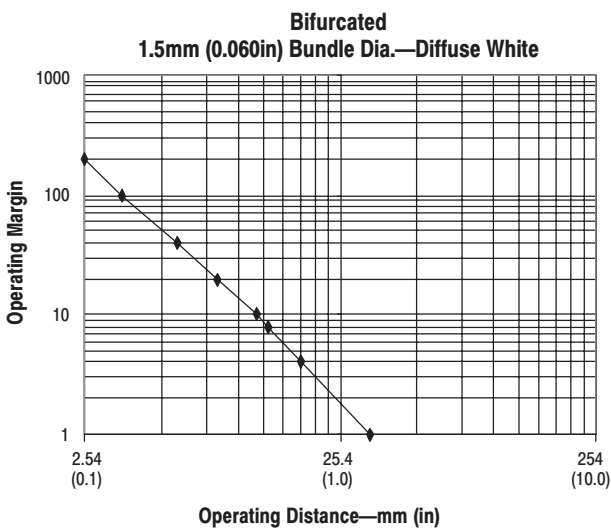
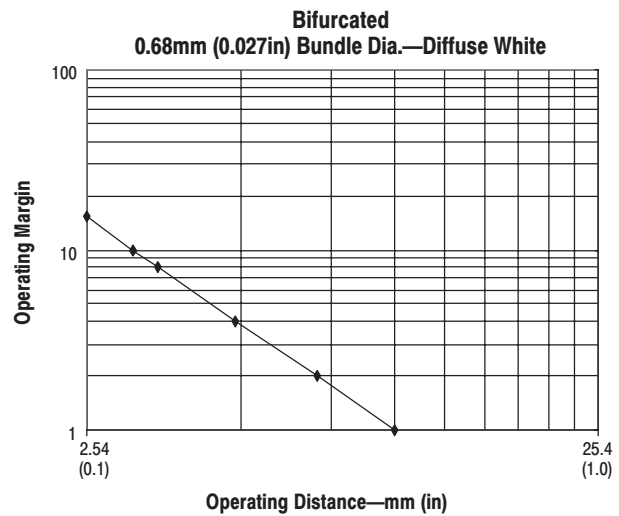
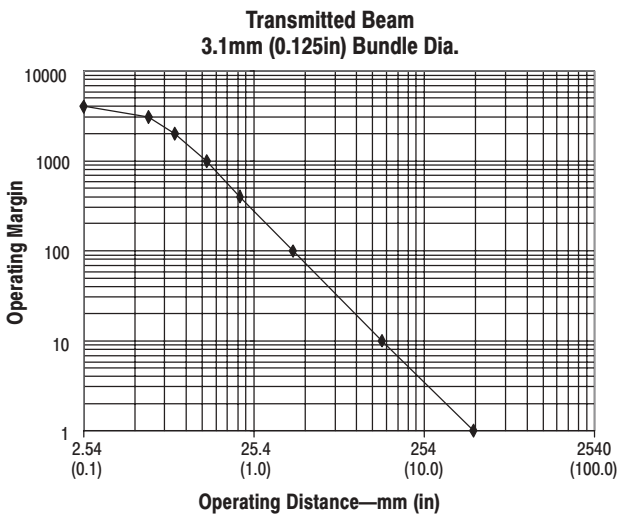
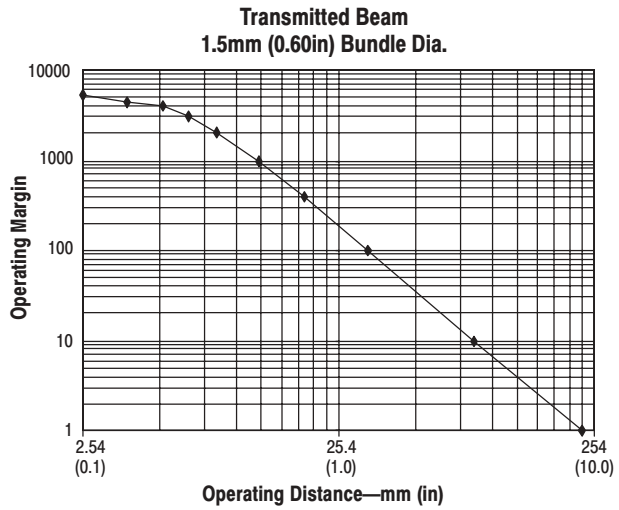
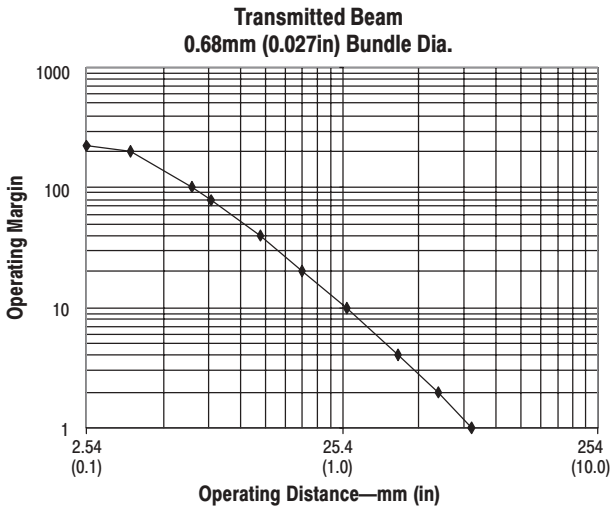
- Many glass fiber optic cables are available with different glass fiber bundle diameters.  
 Larger diameter bundles contain more fibers to carry light between the sensor and application. These cables will generally offer **longer sensing ranges**.  
 Smaller diameter bundles provide greater resolution and the ability to detect smaller targets.
- The **Typical Response curves** on page 1-296 show the performance of Allen-Bradley glass fiber optic sensors and cables. Note that different sensing distances can be achieved depending upon the cable bundle diameter. These sensing distances must be derated for adverse environments.  
 These Typical Response curves are for standard 0.91m (3ft) cable lengths. Longer custom cables will attenuate the light and reduce the operating range. Contact product support at 1.800.666.0001 or +1.978.441.9500 for application assistance.
- Glass fiber optic cables can be applied in high shock and vibration applications, but secure the cables to prevent excess flexing. Do not use glass cables in applications where they are constantly flexing. **They will break.** Plastic fiber optic cables will provide better performance in these applications.

- Glass fiber optic cables cannot be cut, spliced or repaired.
- Most sensing end tips cannot be bent. **Only special end tips can be bent** as specified in the Selection Guide. When using bendable end tips, bend should not be attempted closer than 19mm (0.75in) to the sensing end of the cable.
- Some applications call for glass fiber optic cables to be used to isolate the sensor from **high voltage**. Custom cables with special nonconductive components must be ordered for these applications.
- X-RAY or GAMMA radiation will cause glass fibers to eventually become opaque. Custom cables constructed with special optical quartz fibers must be ordered for use in areas with **high radiation**.
- Use Transmitted Beam sensing in **submerged applications** when possible. Spiral wound stainless steel sheathing is generally not suitable for wet applications. Fiber optic cables with PVC sheathing should be used for these applications.
- A glass fiber optic sensor with a **bifurcated** cable can provide **retroreflective** or **diffuse sensing** depending upon the distance to the target and the sensitivity adjustment on the sensor. If the sensor and cable are to be used for retroreflective sensing, the sensitivity of the sensor must be adjusted low enough to avoid unwanted diffuse response from the targets to be sensed.

# Glass Fiber Optic Cables

## Introduction

### Typical Response Curves for Series 5000 Sensors



For information on how to read a response curve see page 1-22.

# Allen-Bradley Parts

## Glass Fiber Optic Cables

### Additional Cables for Large Aperture Sensors (4.6mm or 0.187in OD Sensor End Tip)

#### Custom Fiber Optic Cables

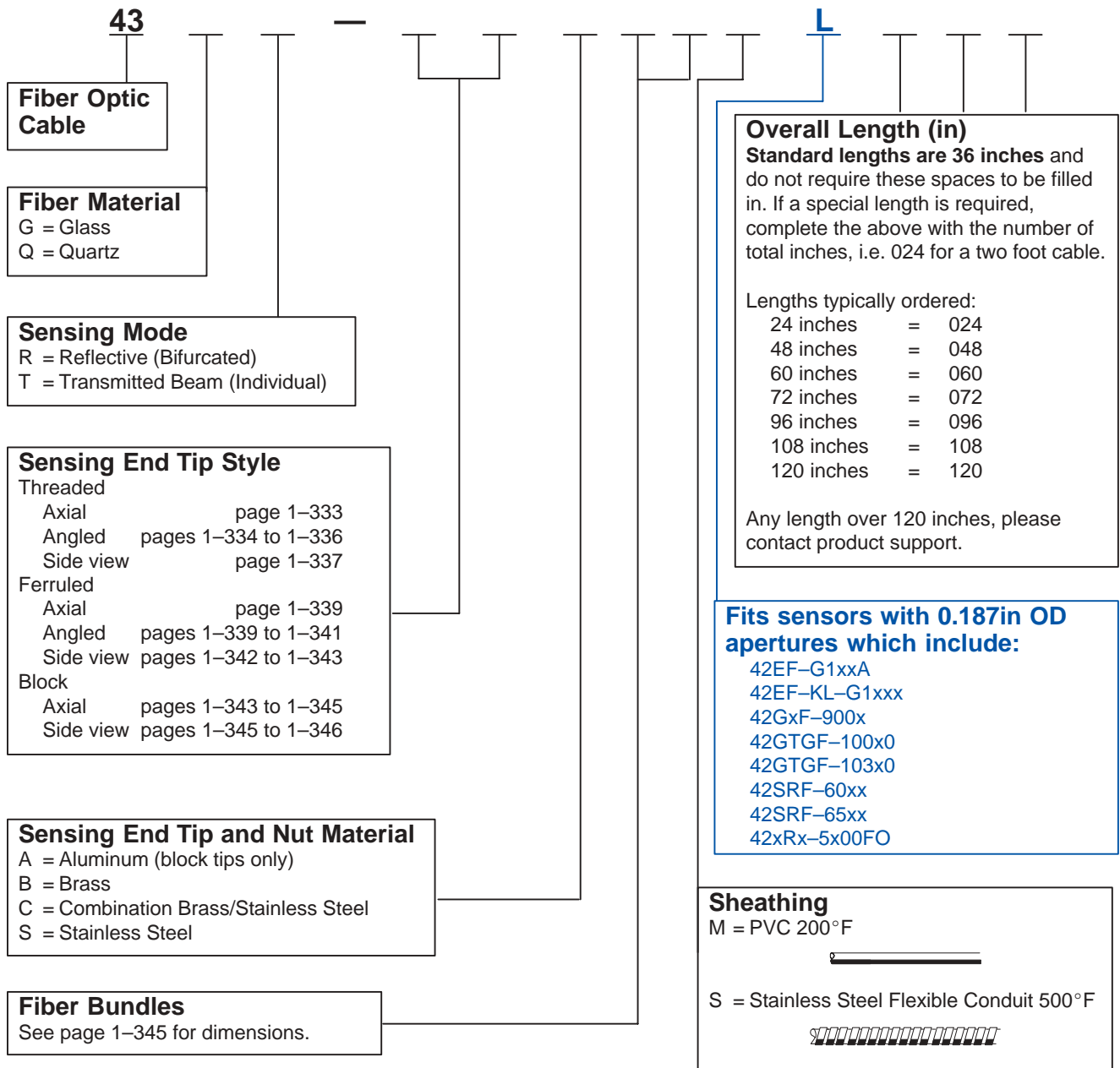
Rockwell Automation/Allen-Bradley can provide custom glass fiber optic cables to meet nearly any application requirement.

Typical cable modifications include:

- Custom lengths up to 15.2m (50ft)
- Custom temperature ratings up to 482°C (900°F)
- Custom configurations including multiple sensing tips
- Custom sensing end tips—nearly any modification is possible

For more information contact your product support at 1.800.666.0001 or +1.978.441.9500.

#### To Build a Custom Fiber Optic for a Large Aperture Sensor:



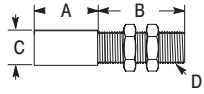




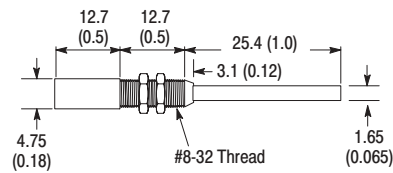
## Glass Fiber Optic Cable Tips

Use with Configurators on page 1-331 and 1-332.

### Dimensions—mm (inches)



Code	Standard Bundle mm (in)	Dimensions—mm (in)			
		A	B	C	D
TA	2.29 (0.09)	10.16 (0.40)	11.18 (0.44)	5.84 (0.23)	M6 x 1 class 6g
TB	3.2 (0.125)	13.46 (0.53)	38.1 (1.5)	7.92 (0.312)	5/16 x 24 UNF
TF	3.2 (0.125)	13.46 (0.53)	12.7 (0.5)	4.45 (0.175)	#8-32
TG	1.2 (0.046)	13.46 (0.53)	38.1 (1.5)	9.53 (0.375)	3/8 x 24 UNF
TV	4.0 (0.156)	13.46 (0.53)	139.7 (5.5)	7.92 (0.312)	5/16 x 24 UNF
TY	3.2 (0.125)	13.46 (0.53)	101.6 (4.0)	7.62 (0.3)	5/16 x 24 UNF
XA	1.2 (0.046)	10.16 (0.40)	12.7 (0.5)	4.75 (0.187)	M4 x 0.7
XB	1.2 (0.046)	10.16 (0.40)	12.7 (0.5)	4.75 (0.187)	M6 x 0.75
XD	3.2 (0.125)	13.46 (0.53)	15.24 (0.6)	7.92 (0.312)	5/16 x 24 UNF



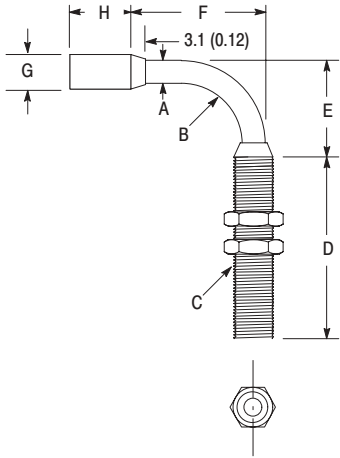
Code	Standard Bundle mm (in)
MR	1.2 (0.046)



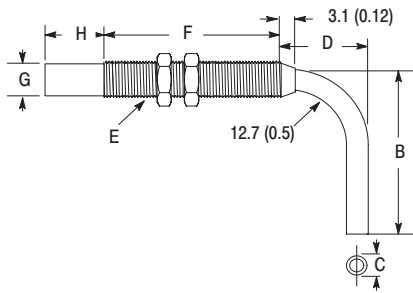
## Glass Fiber Optic Cable Tips

Use with Configurators on page 1–331 and 1–332.

### Dimensions—mm (inches)



Code	Standard Bundle mm (in)	Dimensions—mm (in)							
		A	B	C	D	E	F	G	H
TM	3.2 (0.125)	4.75 (0.187)	12.7 (0.5)	5/16 x 24	38.1 (1.5)	20.3 (0.8)	27.9 (1.1)	7.49 (0.295)	15.8 (0.625)
TO	4.0 (0.156)	5.54 (0.218)	12.7 (0.5)	5/16 x 24	38.1 (1.5)	20.3 (0.8)	27.9 (1.1)	7.49 (0.295)	15.8 (0.625)
TC	1.2 (0.046)	2.36 (0.093)	6.35 (0.25)	8 - 32	12.7 (0.5)	9.65 (0.38)	15.2 (0.6)	4.45 (0.175)	15.8 (0.625)
TI	1.2 (0.046)	2.36 (0.093)	3.81 (0.15)	M6 x 0.75	15.2 (0.6)	8.89 (0.35)	12.7 (0.5)	4.75 (0.187)	10.1 (0.40)



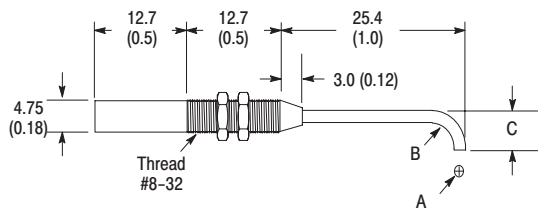
Code	Standard Bundle mm (in)	Dimensions—mm (in)						
		B	C	D	E	F	G	H
TQ	3.2 (0.125)	27.9 (1.1)	4.75 (0.187)	15.75 (0.62)	5/16 x 24	38.1 (1.5)	7.92 (0.312)	13.97 (0.55)
TR	3.98 (0.156)	27.9 (1.1)	5.54 (0.218)	18.29 (0.72)	5/16 x 24	38.1 (1.5)	7.92 (0.312)	13.97 (0.55)
TW	3.2 (0.125)	40.6 (1.6)	4.75 (0.187)	15.75 (0.62)	5/16 x 24	38.1 (1.5)	7.92 (0.312)	13.97 (0.55)
TX	3.2 (0.125)	20.6 (0.81)	4.75 (0.187)	26.9 (1.06)	5/16 x 24	38.1 (1.5)	7.92 (0.312)	13.97 (0.55)
TD	1.2 (0.046)	12.7 (0.5)	2.36 (0.093)	8.89 (0.35)	M4 x 0.7	12.7 (0.5)	4.75 (0.187)	10.16 (0.40)

# Allen-Bradley Parts

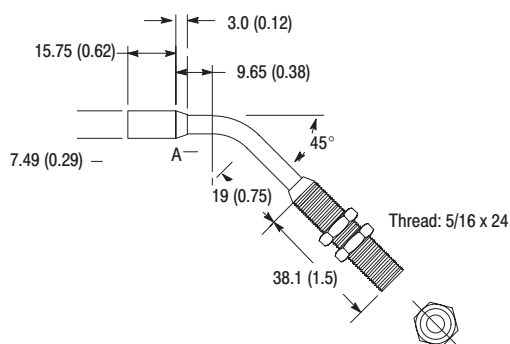
## Glass Fiber Optic Cable Tips

Use with Configurators on page 1-331 and 1-332.

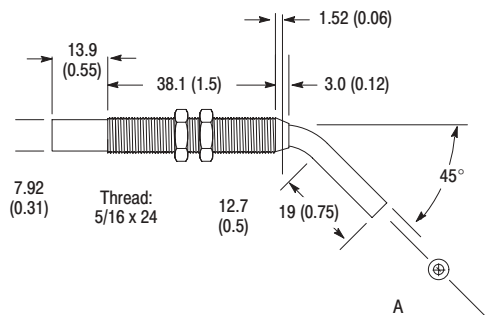
### Dimensions—mm (inches)



Code	Standard Bundle mm (in)	Dimensions—mm (in)		
		A	B	C
MT	0.70 (0.027)	1.09 (0.043)	2.29 (0.09)	4.83 (0.19)
MU	1.2 (0.046)	1.65 (0.065)	3.05 (0.12)	6.35 (0.25)



Code	Standard Bundle mm (in)	Dimensions—mm (in)
		A
TH	3.2 (0.125)	4.75 (0.187)
TJ	4.0 (0.156)	5.54 (0.218)

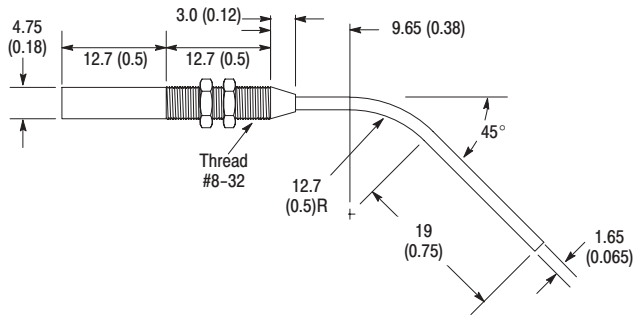


Code	Standard Bundle mm (in)	Dimensions—mm (in)
		A
TK	3.2 (0.125)	4.75 (0.187)
TL	4.0 (0.156)	5.54 (0.218)

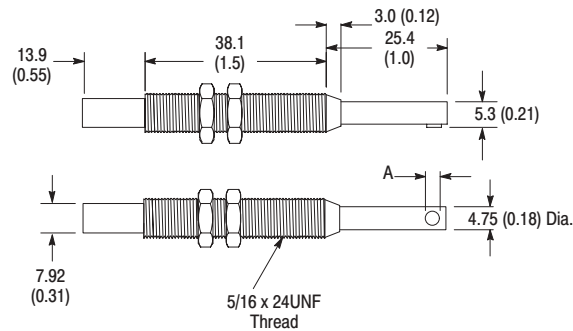
## Glass Fiber Optic Cable Tips

Use with Configurators on page 1–331 and 1–332.

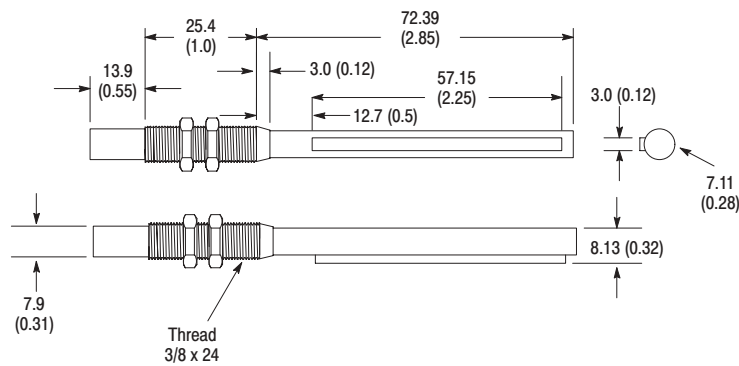
### Dimensions—mm (inches)



Code	Standard Bundle mm (in)
MS	1.2 (0.046)



Code	Standard Bundle mm (in)	Dimensions—mm (in) A
TT	2.29 (0.09)	3.2 (0.125)
TZ	2.5 x 0.5 (0.1 x 0.02)	3.94 (0.155)

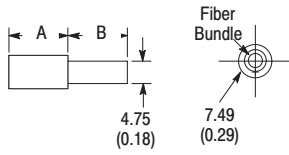


Code	Standard Bundle mm (in)
TU	51 x 0.3 (2.0 x 0.01)

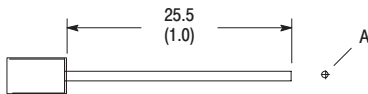
**Glass Fiber Optic Cable Tips**

Use with Configurators on page 1-331 and 1-332.

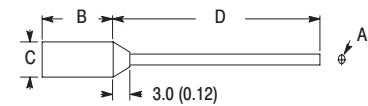
**Dimensions—mm (inches)**



Code	Standard Bundle mm (in)	Dimensions—mm (in)	
		A	B
FA	3.2 (0.125)	12.7 (0.5)	12.7 (0.5)
FB		12.7 (0.5)	26.9 (1.06)
FC		12.7 (0.5)	31.7 (1.25)
FD		12.7 (0.5)	50.8 (2.0)
FE		35.5 (1.4)	76.2 (3.0)



Code	Standard Bundle mm (in)	Dimensions—mm (in) A
MA	0.70 (0.027)	1.09 (0.043)
MC	1.2 (0.046)	1.65 (0.065)

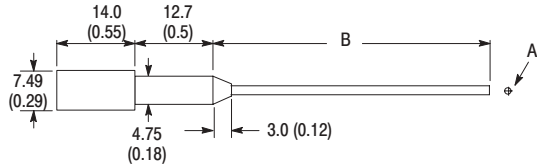


Code	Standard Bundle mm (in)	Dimensions—mm (in)			
		A	B	C	D
MD	1.2 (0.046)	1.65 (0.065)	12.7 (0.5)	4.06 (0.16)	25.4 (1.0)
MG	1.2 (0.046)		35.5 (1.4)	7.87 (0.31)	
MH	1.6 (0.062)	2.36 (0.093)	35.5 (1.4)	7.87 (0.31)	76.2 (3.0)
MI	1.6 (0.062)		12.7 (0.5)	7.87 (0.31)	25.4 (1.0)

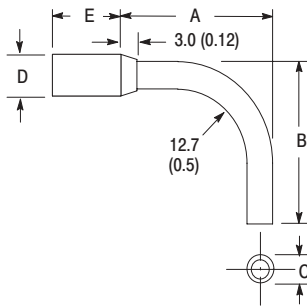
## Glass Fiber Optic Cable Tips

Use with Configurators on page 1–331 and 1–332.

### Dimensions—mm (inches)



Code	Standard Bundle mm (in)	Dimensions—mm (in)	
		A	B
MB	1.2 (0.046)	1.65 (0.065)	25.4 (1.0)
MF	1.2 (0.046)	1.65 (0.065)	50.8 (2.0)
MV	0.70 (0.027)	1.09 (0.043)	12.7 (0.5)

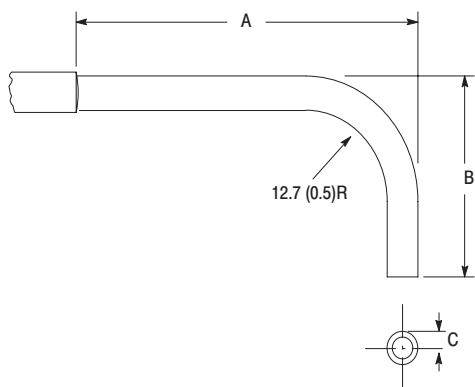


Code	Standard Bundle mm (in)	Dimensions—mm (in)				
		A	B	C	D	E
FI	3.2 (0.125)	27.9 (1.1)	20.3 (0.8)	4.75 (0.187)	7.49 (0.295)	15.8 (0.625)
FJ	4.0 (0.156)	27.9 (1.1)	25.4 (1.0)	5.54 (0.218)	7.49 (0.295)	15.8 (0.625)
FK	3.2 (0.125)	27.9 (1.1)	27.9 (1.1)	4.75 (0.187)	7.49 (0.295)	15.8 (0.625)
FL	3.2 (0.125)	27.9 (1.1)	35.0 (1.38)	4.75 (0.187)	7.49 (0.295)	15.8 (0.625)
FM	3.2 (0.125)	47.7 (1.88)	47.7 (1.88)	4.75 (0.187)	7.49 (0.295)	15.8 (0.625)
FT	2.2 (0.09)	12.7 (0.5)	10.16 (0.40)	2.36 (0.093)	4.75 (0.187)	10.4(0.4)

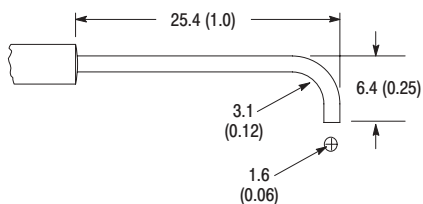
## Glass Fiber Optic Cable Tips

Use with Configurators on page 1-331 and 1-332.

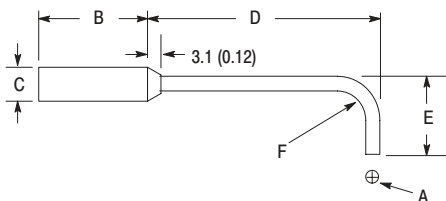
### Dimensions—mm (inches)



Code	Standard Bundle mm (in)	Dimensions—mm (in)		
		A	B	C
FS	3.2 (0.125)	27.9 (1.1)	20.3 (0.8)	4.75 (0.187)



Code	Standard Bundle mm (in)
ML	1.2 (0.046)

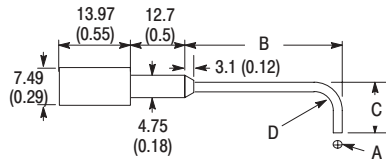


Code	Standard Bundle mm (in)	Dimensions—mm (in)					
		A	B	C	D	E	F
MM	1.2 (0.046)	1.65 (0.065)	12.7 (0.5)	4.06 (0.16)	25.4 (1.0)	6.35 (0.25)	3.05 (0.12)
MO	1.2 (0.046)	1.65 (0.065)	35.5 (1.4)	7.87 (0.31)	25.4 (1.0)	6.35 (0.25)	3.05 (0.12)
MQ	1.6 (0.062)	2.36 (0.09)	35.5 (1.4)	7.87 (0.31)	25.4 (1.0)	6.35 (0.25)	3.05 (0.12)
MY	1.2 (0.046)	1.57 (0.062)	10.16 (0.40)	4.83 (0.19)	12.7 (0.5)	4.83 (0.19)	3.05 (0.12)

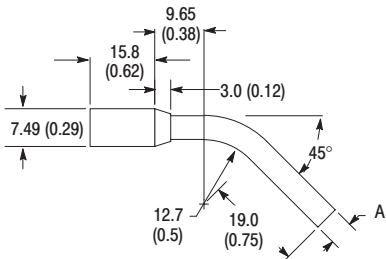
## Glass Fiber Optic Cable Tips

Use with Configurators on page 1–331 and 1–332.

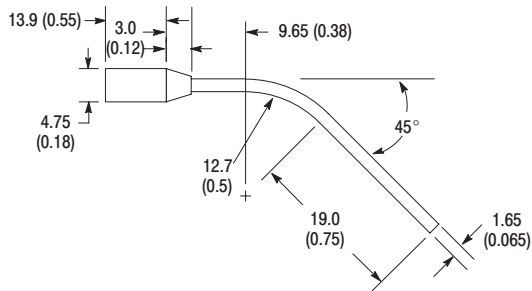
### Dimensions—mm (inches)



Code	Standard Bundle mm (in)	Dimensions—mm (in)			
		A	B	C	D
MK	0.70 (0.027)	1.09 (0.043)	25.4 (1.0)	4.83 (0.19)	2.29 (0.09)
MN	1.2 (0.046)	1.65 (0.065)	12.7 (0.5)	31.7 (1.25)	19 (0.75)



Code	Standard Bundle mm (in)	Dimensions—mm (in) A
FG	3.2 (0.125)	4.75 (0.187)
FH	4.0 (0.156)	5.54 (0.218)



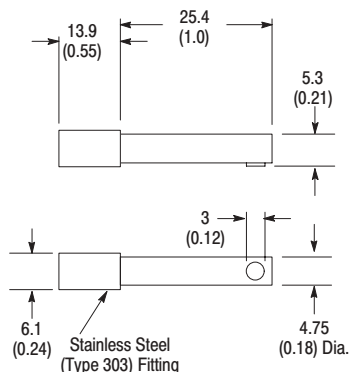
Code	Standard Bundle mm (in)
MJ	1.2 (0.046)



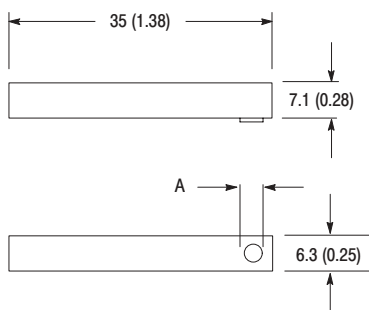
## Glass Fiber Optic Cable Tips

Use with Configurators on page 1-331 and 1-332.

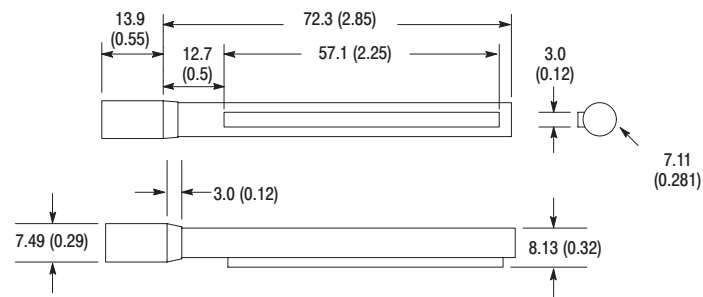
### Dimensions—mm (inches)



Code	Standard Bundle mm (in)
FO	2. (0.09)



Code	Standard Bundle mm (in)	Dimensions—mm (in) A
FP	2. (0.09)	3.2 (0.125)
FR	0.5 x 2.5 (0.2 x 0.01) N-S slot	3.94 (0.155)

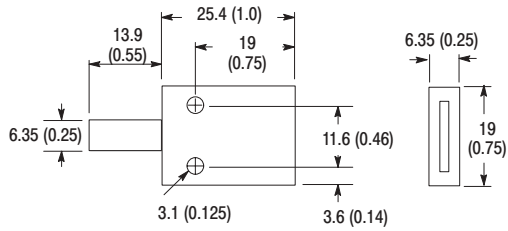


Code	Standard Bundle mm (in)
FQ	51 x 0.3 (2.0 x 0.01) N-S slot

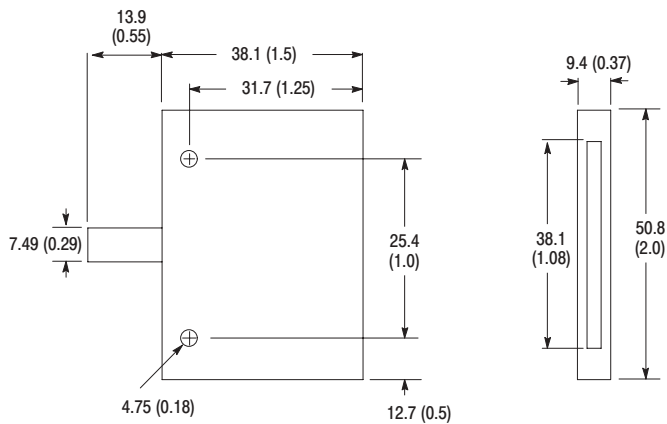
## Glass Fiber Optic Cable Tips

Use with Configurators on page 1–331 and 1–332.

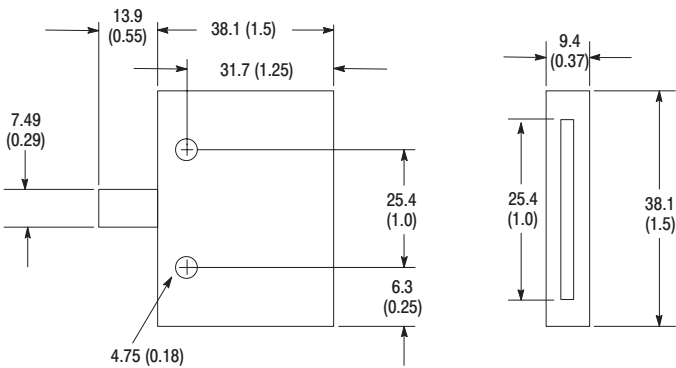
### Dimensions—mm (inches)



Code	Standard Bundle mm (in)
BA	9.7 x 0.8 (0.382 x 0.032) (E-W)



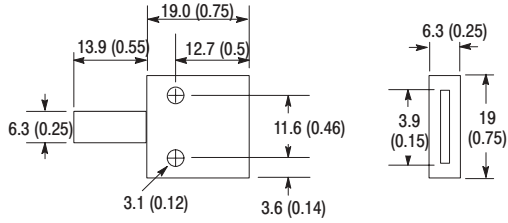
Code	Standard Bundle mm (in)
BC	38.1 x 0.3 (1.5 x 0.01)



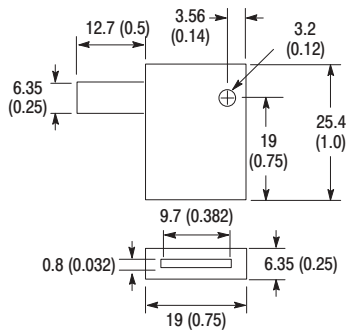
Code	Standard Bundle mm (in)
BR	25.4 x 0.4 (1.0 x 0.015)

# Allen-Bradley Parts

**Dimensions—mm (inches)**



Code	Standard Bundle mm (in)
BT	3.9 x 0.5 (0.154 x 0.02)

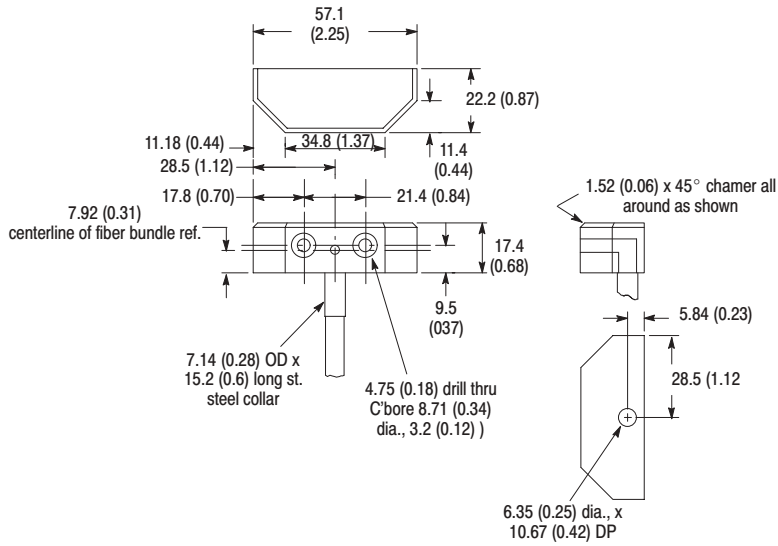


Code	Standard Bundle mm (in)
BE	9.7 x 0.8 (0.382 x 0.032) (E-W)

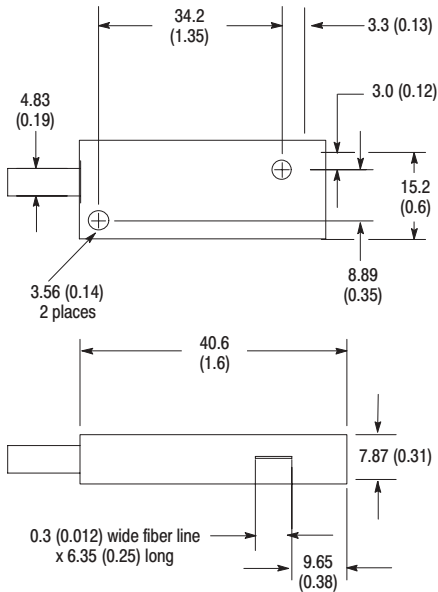
## Glass Fiber Optic Cable Tips

Use with Configurators on page 1–331 and 1–332.

### Dimensions—mm (inches)



Code	Standard Bundle mm (in)
BP	2.79 x 2.79 (0.11 x 0.11)



Code	Standard Bundle mm (in)
BS	0.3 x 6.35 (0.012 x 0.25) N-S slot

These bundle size codes are used with the configurators on page 1–331 and 1–332.

**Glass Fiber Bundle with  
Cylindrical Sensing End Tips**

Code	Diameter		Arrangement
	mm	inches	
00	0.70	0.027	Randomized
05	0.81	0.032	Randomized
10	1.2	0.046	Randomized
15	1.57	0.062	Randomized
20	2.29	0.090	Randomized
22	2.79	0.110	Randomized
25	3.2	0.125	Randomized
30	4.0	0.156	Randomized
33	4.57	0.180	Randomized
35	5.59	0.220	Randomized
40	2.5 x 0.5	0.10 x 0.02	E-W Slot
41	0.5 x 2.5	0.02 x 0.10	N-S Slot
45	22 x 0.5	0.875 x 0.02	Randomized
46	51 x 0.3	2.0 x 0.01	N-S Slot

**Glass Fiber Bundle with  
Block Sensing End Tips**

Code	Diameter	
	mm	inches
70	3.9 x 0.5	0.154 x 0.020
72	9.7 x 0.8	0.382 x 0.320
73	38 x 0.25	1.50 x 0.010
74	51 x 0.25	2.00 x 0.010
77	0.4 x 0.25	0.154 x 0.010
78	0.3 x 0.25	0.110 x 0.110
79	25.4 x 0.4	1.00 x 0.015
80	6.4 x 0.3	0.25 x 0.012

**Note:** Typical fiber optic cable construction is normally randomized. Other options, such as half or shimmed half moon, are available. Please contact product support at 1.800.666.0001 or +1.978.441.9500 for these options.

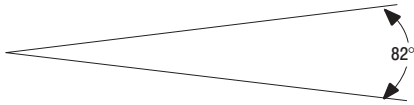
# Glass Fiber Optic Cable Tips

## Accessories

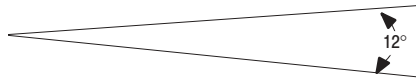
### Extended Range Lens Assemblies

Extended range assemblies provide greater sensing range and reduce the field of view for detecting smaller objects at a greater distance. Without the extended range lens assembly the field of view is a divergent beam of 82° leaving the end of the fiber optic cable tip. With the extended range lens the beam is reduced to 12° thus permitting the sensing of smaller objects.

### Fiber Optic Field of View Standard Fibers (Without Extended Range Lens Assembly)



### Fiber Optic Field of View Standard Fibers (With Extended Range Lens Assembly)




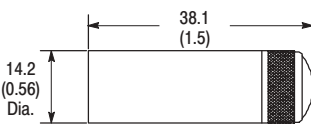

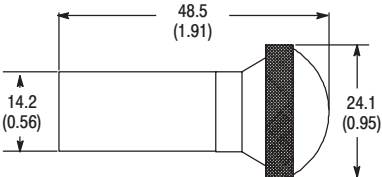

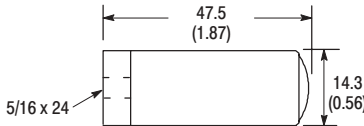
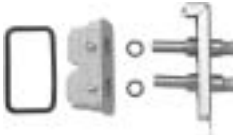
### Adjustable Fixed Focus Sensing Lens

Consult product support for special applications. All the lens assemblies shown can provide fixed focus sensing with glass fiber optic cables. The distance between the lens and sensing tip can be adjusted, thus varying the focal length. A close position of the lens with respect to the sensing end tip will provide a longer focal length with a larger spot size. Moving the lens away from the sensing end tip of the fiber optic cable will provide a shorter focal

length with a smaller spot size. An example of this using the 60-1844 lens is shown below:

Distance between cable end tip and inside of lens adaptor—mm (in)	Spot Size (Diameter mm (in))	Focus Range mm (in)
0	31.8 (1.25)	127 (5)
2.54 (0.1)	12.7 (0.5)	51-89 (2-3.5)
5.08 (0.2)	7.62 (0.3)	38-51 (1.5-2)
7.62 (0.3)	5.08 (0.2)	33-38 (1.3-1.5)
10.16 (0.4)	3.81 (0.1)	28-33 (1.1-1.3)

It is necessary to reduce the sensitivity of the sensor when using lens assemblies with bifurcated cables to avoid detecting the rear surface of the adaptor lens.

Catalog Number	Description	Dimensions—mm (in)
<b>60-1844</b> (One per package) Sensing end tips with a 4.74mm (0.187in) diameter	 Extended Range Lens Assembly	
<b>60-2559</b> (One per package) Sensing tips with 4.74mm (0.187in) diameter	 Extended Range Lens Assembly	
<b>60-2323</b> (One per package) Sensing end tips with 5/16x24 threads	 Extended Range Lens Assembly (Thread mount 5/16 x 24)	
<b>60-5550</b> (One per package)	 Adaptor Kit for Series 5000 Green Line Sensors	
<b>60-2696</b>	Glass Fiber Optic Cable Bracket	