

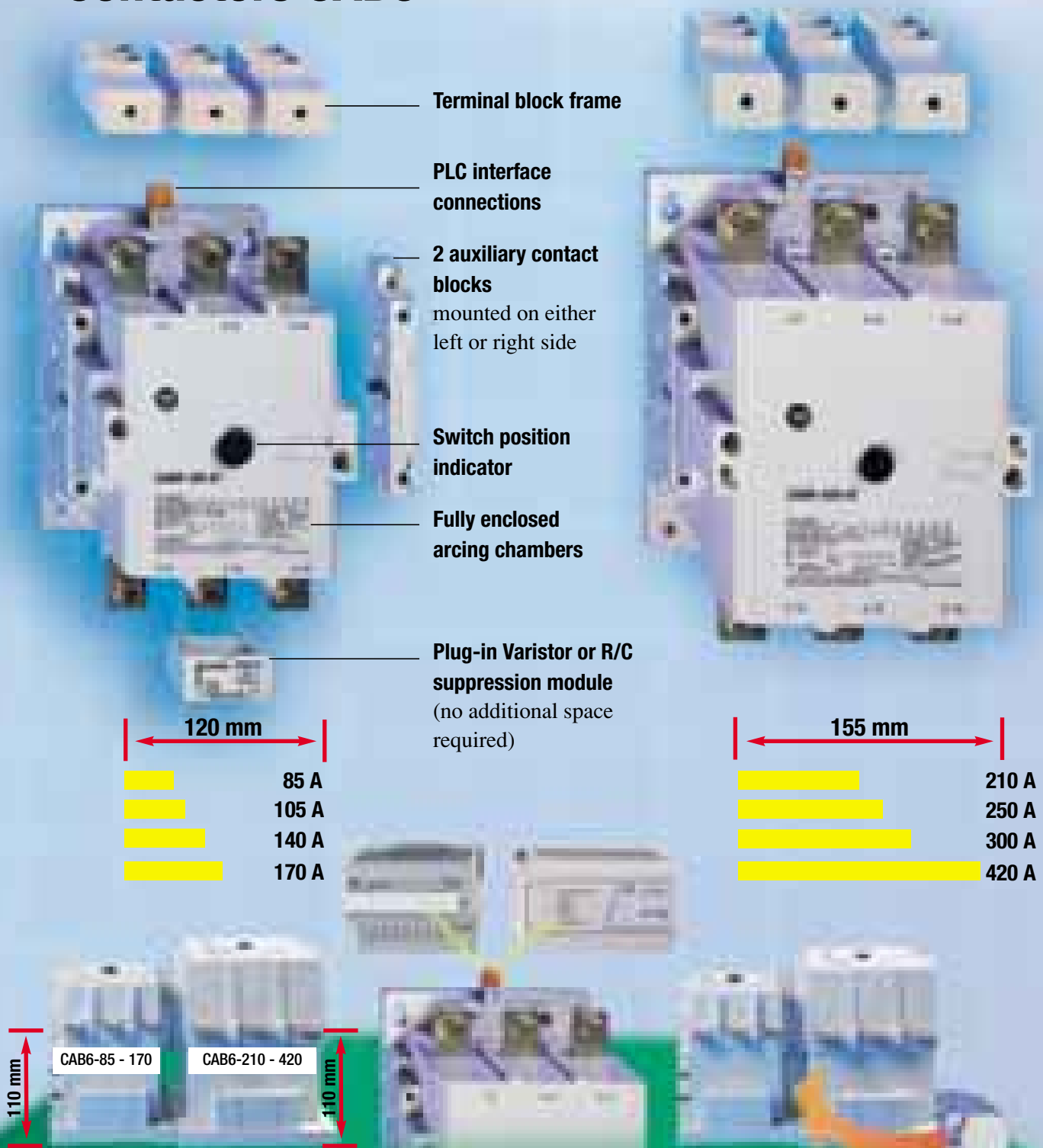
Contactors CAB6

*The trendsetter for all applications
from 85A to 420A*



**Rockwell
Automation**

Contactors CAB6



Shorter Assembly Time

- Regardless of the size of CAB6 unit, the distance of the terminals from the mounting surface is the same.
- Efficient, simple and straightforward wiring.

Integrated Interface for PLC Input

- Part of the coil manager and therefore less space and wiring required.
- Configurable for conventional or electronic interface control.

Mechanical Interlock

- CAB6 contactors can be mechanically interlocked without occupying additional mounting surface.

Flexible Motor Management up to 420 A

Connected to the Future

The CAB6 contactors solve all motor management tasks with the technology of tomorrow:

- Coil manager (electronic coil control)
- Direct PLC connection
- Environmentally friendly materials
- Easy to handle
- Ratings, design and dimensions matched to the highly efficient Allen-Bradley motor protection devices for powerful starter combinations.

Electronic Motor Protection Relay CEFB1

- Wide current ranges
20 A ... 180 A
160 A ... 630 A
- Tripping time setting range
2 ... 30 seconds
- Precise digital settings
- Thermal overload protection
- Asymmetry and single phasing protection
- PTC thermistor input

Motor Manager 825

- Supervision and protection of LV and MV motors
- Avoids downtime
- Central supervision and control
- Communication via DeviceNet, Remote I/O, PROFIBUS and MODBUS

Circuit-breakers up to 400 A

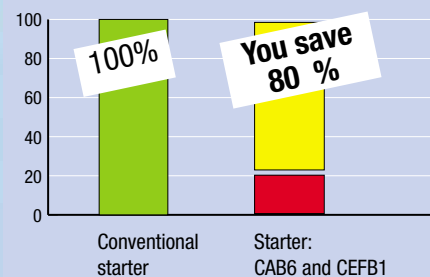
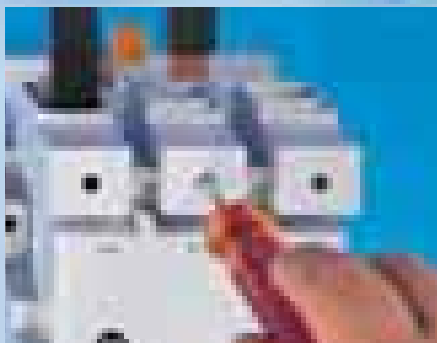
- Fast tripping of phase faults
- Effective current limitation
- Short-circuit coordination Type 2 without over-sizing contactors
- Integrated motor protection

Greater Safety

- Finger protection for safe working
- Interlocked arcing chambers
- Switch position indicator cannot operate contactor (safety contactor)

Coil Manager Saves Energy

- As much as 5 times less energy consumption
- Wide voltage ranges
- Distinct on/off thresholds (no contact chatter possible)



AB Parts

All present and correct!

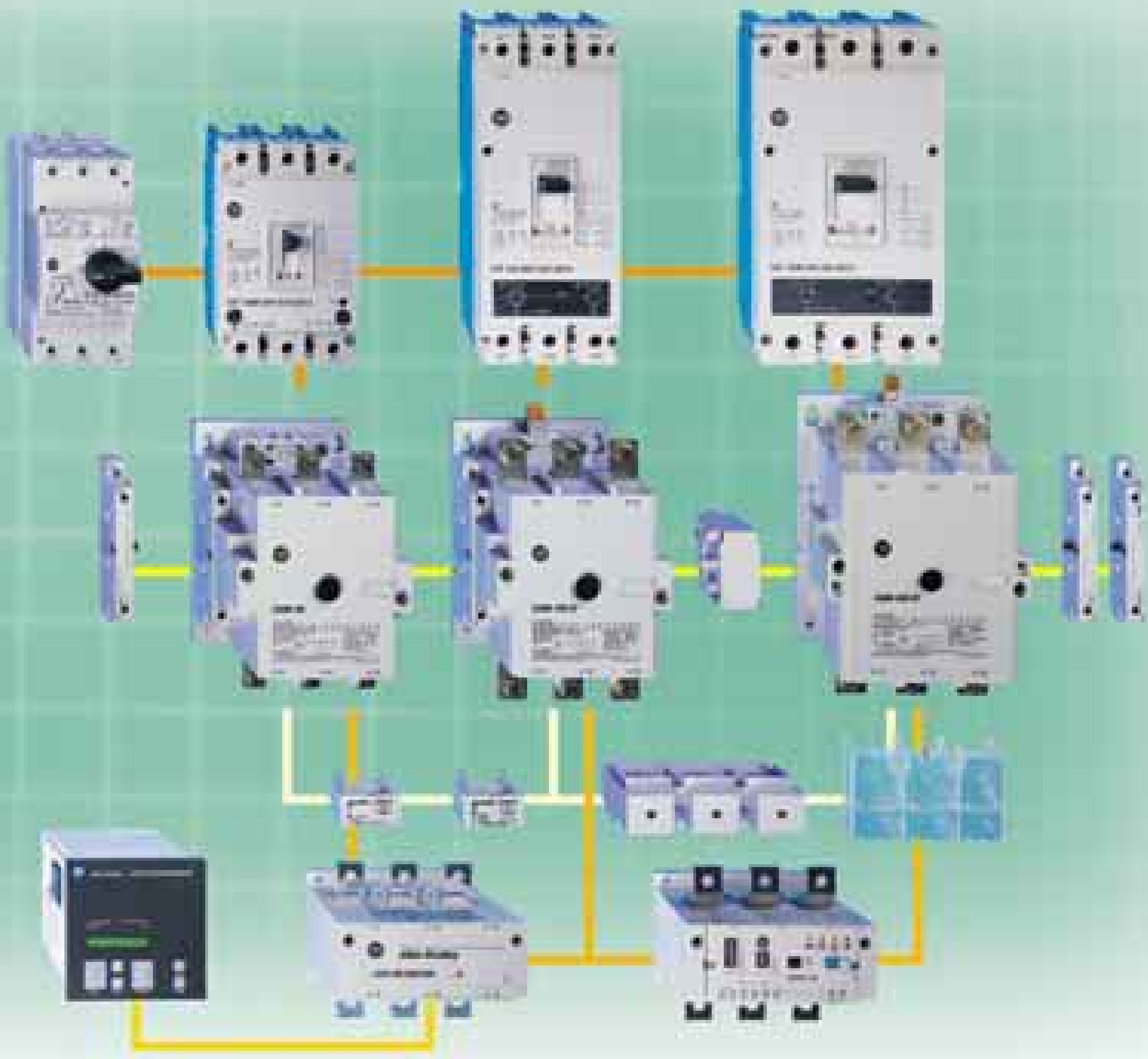


CAB6 rated from 105 to 420 A with electronic and from 85 to 140 A with conventional coil control.

| Contactor | | CAB6-85 | CAB6-105(-EI) | CAB6-140(-EI) | CAB6-170-EI | CAB6-210-EI | CAB6-250-EI | CAB6-300-EI | CAB6-420-EI |
|-----------|-----------------------|---------|---------------|---------------|-------------|-------------|-------------|-------------|-------------|
| Control | conventional | X | X | X | - | - | - | - | - |
| Control | electronic interface* | - | X | X | X | X | X | X | X |
| AC-1, 40° | [A] | 160 | 160 | 250 | 250 | 350 | 350 | 450 | 500 |
| AC-3, | [kW] 415V | 55 | 75 | 90 | 100 | 132 | 150 | 185 | 250 |

*for direct PLC connection

Flexible Motor Management up to 420 A with CAB6 Contactors



More Than 500,000 Ways To Make Automation Work

| | |
|---------------------------------|---|
| Power devices: | Circuit breakers Motor contactors and starters Motor protection Motor control centers Power monitoring |
| Sensors: | Limit, photoelectric and proximity switches Pressure and temperature controls Radio frequency identification Bar code Encoders Vision systems |
| Operator interfaces: | Push buttons and pilot devices Cam switches Message displays Operator panels, terminals |
| Motion control: | AC and DC drives Drive systems Computer numerical controls General purpose motion control |
| Logic devices: | Programmable controllers Universal I/O Control and information processing Relays Terminal blocks |
| Communication products: | Automation control networks Multivendor connectivity (MAP) |
| Application systems: | Custom engineered control systems Batch control Burner management systems Distributed discrete manufacturing control Injection molding control SCADA Stamping press control systems |
| Quality management: | SPC/SQC data collection and analysis |
| Global support services: | Technical training Field engineering and service Repair and exchange services Technical support |

Reach us now at www.rockwellautomation.com

Wherever you need us, Rockwell Automation brings together leading brands in industrial automation including Allen-Bradley controls, Reliance Electric power transmission products, Dodge mechanical power transmission components, and Rockwell Software. Rockwell Automation's unique, flexible approach to helping customers achieve a competitive advantage is supported by thousands of authorized partners, distributors and system integrators around the world.



Americas Headquarters, 1201 South Second Street, Milwaukee, WI 53204, USA, Tel: (1) 414 382-2000, Fax: (1) 414 382-4444
European Headquarters SA/NV, avenue Herrmann Debroux, 46, 1160 Brussels, Belgium, Tel: (32) 2 663 06 00, Fax: (32) 2 663 06 40
Asia Pacific Headquarters, 27/F Citicorp Centre, 18 Whitfield Road, Causeway Bay, Hong Kong, Tel: (852) 2887 4788, Fax: (852) 2508 1846

| | |
|-----------------------------|---|
| Belgium | Rockwell Automation SA/NV • De Kleetlaan 2B • B-1831 Diegem • Tel: (32-2) 716 84 11 • Fax: (32-2) 725 07 24 |
| Czech Republic | Rockwell Automation s.r.o. • Nad Vrsovskou horou 88/4 • CZ-10100 Prague 10 • Tel: (420-2) 67 10 7413 • Fax: (420-2) 67 10 7415 |
| Denmark | Rockwell Automation A/S • Herstedoestervej 27-29 • DK-2620 Albertslund • Tel: (45) 43 46 6000 • Fax: (45) 43 46 6001 |
| Ireland | Rockwell Automation Limited • Naas Road Industrial Park • Naas Road • Dublin 12 • Tel: (353-1) 4508164 • Fax: (353-1) 4565474 |
| The Netherlands | Rockwell Automation B.V. • Amsterdamseweg 15 • NL-1422 AC Uithoorn • Tel: (31-297) 543 500 • Fax: (31-297) 560 701 |
| South Africa | Rockwell Automation Limited • P.O. Box 7096 • Halfway House 1685 • Gauteng • Tel: (27-11) 654 9700 • Fax: (27-11) 654 9800 |
| Sweden | Rockwell Automation AB • Finlandsгатan 52 • S-16474 Kista • Tel: (46-8) 477 40 00 • Fax: (46-8) 477 40 40 |
| United Arab Emirates | Rockwell Automation B.V. • Al Moosa Tower • Sheikh Zayed Road • P.O. Box 51022 • Dubai • Tel: (971-4) 311 814 • Fax: (971-4) 312 164 |
| United Kingdom | Rockwell Automation Limited • Pitfield • Kiln Farm • Milton Keynes • Buckinghamshire, MK11 3DR • Tel: (44-(0)870) 242 5000 • Fax: (44-1908) 261 917 |

**Rockwell
Automation**