

## Allen-Bradley Bulletin 1336 PLUSII GM1/GM2/GM5 Comm Module Adapter

### Purpose

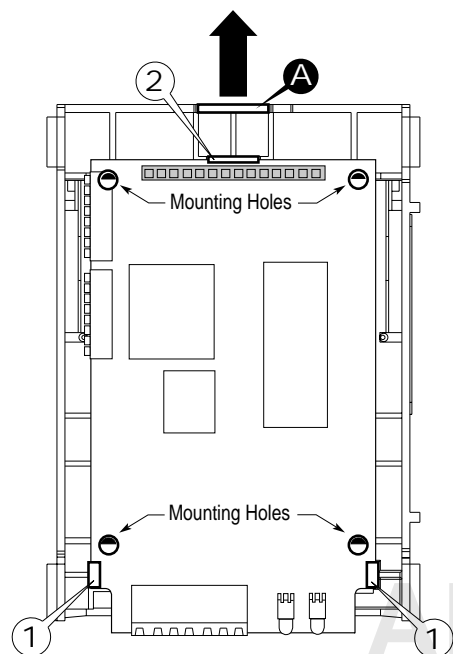
These installation instructions serve as a supplement to Publications 1203-5.1, 1203-5.3 and 1203-5.5.

**Important:** The plastic snap-in Comm Module Adapter included with the GM1, GM2 and GM5 can only be used with 1336 PLUSII drives as detailed in the Allen-Bradley 1336 PLUSII User Manual.

### Installation



**ATTENTION:** The drive and module contain ESD (Electrostatic Discharge) sensitive parts and assemblies. Static control precautions are required when installing, testing, servicing or repairing the drive or module. Component damage may result if ESD control precautions are not followed. If you are not familiar with static control procedures, reference AB publication 8000-4.5.2, "Guarding Against Electrostatic Damage" or any other applicable ESD protection handbook.



The Comm Module is made to mount to the back of the plastic adapter component side up, with the blue Main Control Board connector facing you. (4) large board mounting holes fit over (4) half-circle mounting pins on the plastic adapter, with (3) adapter tabs provided to secure the module in place.

- ① Angle the bottom of the Comm Module underneath the two small tabs at the bottom of the plastic adapter.
- ② Align the four mounting holes over the four half-circle mounting pins on the plastic adapter. Gently pull out the adapter guide tab **A** while pressing down on the top of the board until the large top tab snaps in place.

Refer to Publication 1203-5.1, 1203-5.3 or 1203-5.5 to complete any required switch or jumper settings, then continue on to step 3.

---

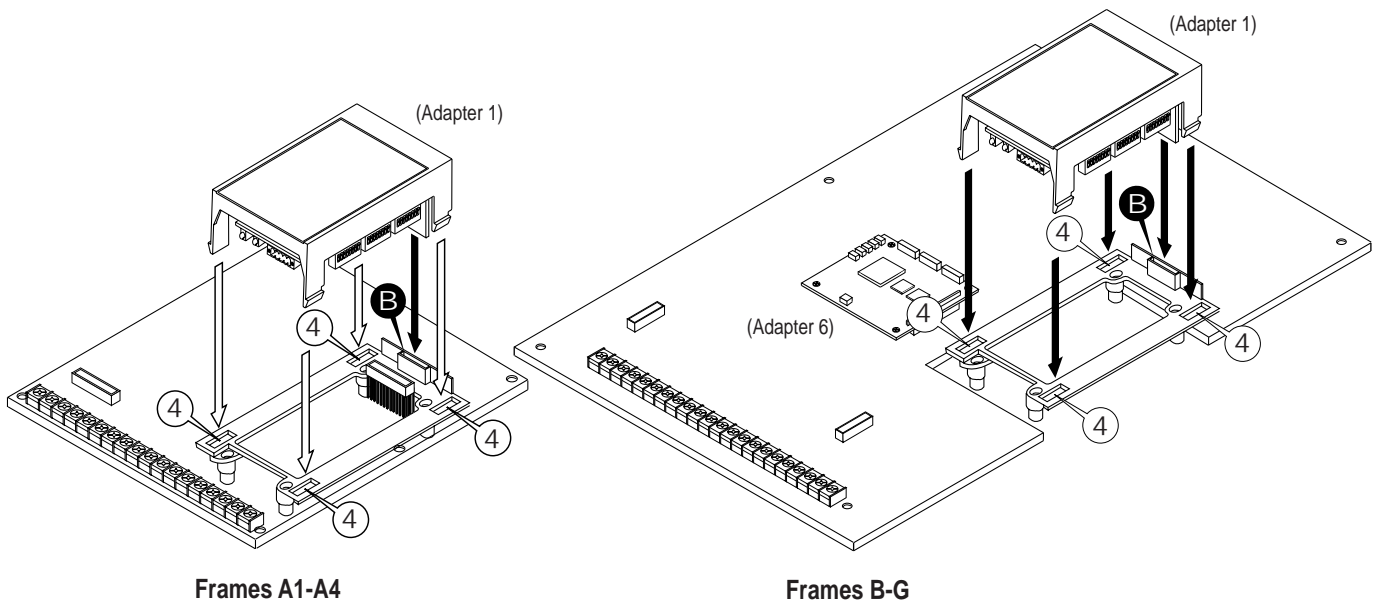
③ Remove and lock-out all incoming power to the drive. Remove the drive cover.

---

④ Align the adapter tabs in the tab holes on the Main Control Board cradle, engaging the guide tab into the guide slot **B**. Make certain that the blue connector is engaged in the socket on the Main Control Board. Press down on the assembly until the adapter tabs snap in place.

---

**Refer to Publication 1203-5.1, 1203-5.3 or 1203-5.5 to complete Comm Module setup and installation.**



Rockwell Automation helps its customers receive a superior return on their investment by bringing together leading brands in industrial automation, creating a broad spectrum of easy-to-integrate products. These are supported by local technical resources available worldwide, a global network of system solutions providers, and the advanced technology resources of Rockwell.

**Worldwide representation.**



Argentina • Australia • Austria • Bahrain • Belgium • Bolivia • Brazil • Bulgaria • Canada • Chile • China, People's Republic of • Colombia • Costa Rica • Croatia • Cyprus • Czech Republic • Denmark • Dominican Republic • Ecuador • Egypt • El Salvador • Finland • France • Germany • Ghana • Greece • Guatemala • Honduras • Hong Kong • Hungary • Iceland • India • Indonesia • Iran • Ireland • Israel • Italy • Jamaica • Japan • Jordan • Korea • Kuwait • Lebanon • Macau • Malaysia • Malta • Mexico • Morocco • The Netherlands • New Zealand • Nigeria • Norway • Oman • Pakistan • Panama • Peru • Philippines • Poland • Portugal • Puerto Rico • Qatar • Romania • Russia • Saudi Arabia • Singapore • Slovakia • Slovenia • South Africa, Republic of • Spain • Sweden • Switzerland • Taiwan • Thailand • Trinidad • Tunisia • Turkey • United Arab Emirates • United Kingdom • United States • Uruguay • Venezuela

Rockwell Automation Headquarters, 1201 South Second Street, Milwaukee, WI 53204-2496 USA, Tel: (1) 414 382-2000, Fax: (1) 414 382-4444