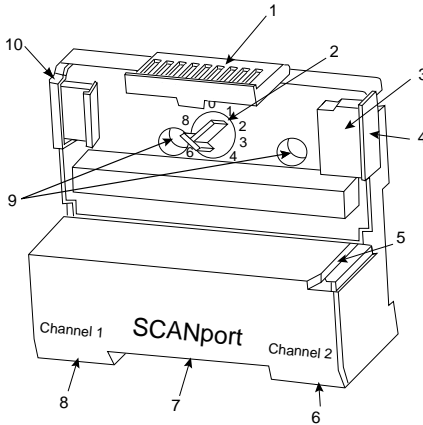




ALLEN-BRADLEY

FLEX I/O™ SCANport™ Terminal Base (Cat. No. 1203-FB1) Installation Instructions

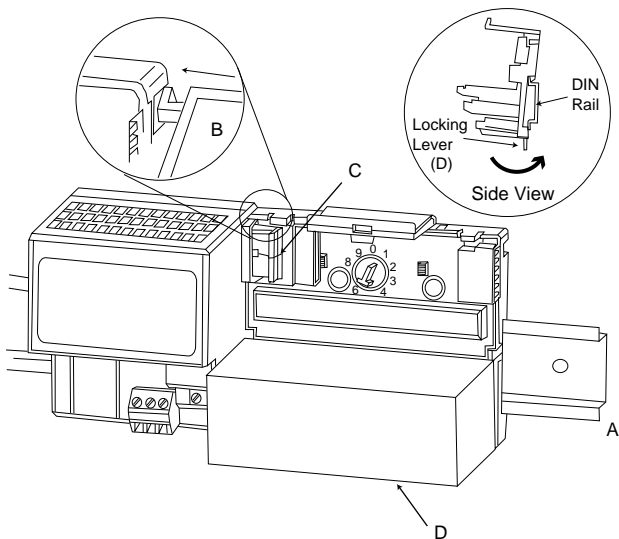


Allen-Bradley

Component Identification

1	Module locking latch
2	Keyswitch – Set to the position required for the installed module
3	Male flexbus connector (beneath the cover plug)
4	Cover plug for male flexbus connector
5	Key slot for attaching to 1203 module
6	Channel 2 SCANport connector
7	Locking tab for DIN rail
8	Channel 1 SCANport connector
9	Mounting holes for panel mounting
10	Female flexbus connector

Mounting on a DIN Rail



ATTENTION: Do not remove or replace a terminal base unit when power is applied. Interruption of the flexbus can result in unintended operation or machine motion.

1. Remove the cover plug (if used) in the male connector of the unit to which you are connecting this terminal base unit.
2. Check to make sure that the 16 pins in the male connector on the adjacent device are straight and in line so that the mating female connector on this terminal base unit will mate correctly.
3. Position the terminal base on the 35 x 7.5mm DIN rail **A** (Allen-Bradley part number 199-DR1; 46277-3; EN 50022) at a slight angle with hook **B** on the left side of the terminal base hooked into the right side of the unit on the left.
4. Make certain that the female flexbus connector **C** is **fully retracted** into the base unit.
5. Rotate the terminal base onto the DIN rail with the top of the rail hooked under the lip on the rear of the terminal base. **Use caution to make sure that the female flexbus connector does not strike any of the pins in the mating male connector.**

6. Press the terminal base down onto the DIN rail until flush. The locking lever **D** snaps into position and locks the terminal base to the DIN rail.
7. If the terminal base does not lock in place, use a screwdriver or similar device to move the locking lever down, press the terminal base flush with the DIN rail, and release the locking lever to lock the base in place.
8. **Gently** push the female flexbus connector **C** into the adjacent terminal base or adapter male connector to complete the flexbus connections.
9. For specific wiring information, refer to the installation instructions for the module you are installing in this terminal base unit.
10. Repeat the above steps to install the next terminal base.



ATTENTION: The 1203 flex modules that use this base may require up to twice the adapter power supply current of standard flex modules. When installing flex modules, you can use a maximum of four 1203 modules with any flex adapter. As a general rule, each 1203 module requires the power capacity of two of the standard flex modules, so you cannot install as many standard modules as you normally would when using the 1203 modules. Refer to the following chart to determine the number of 1203 and standard modules that may be installed together in your system.

If you are using this number of standard (1794) modules:	Then, the maximum number of 1203 modules that you can use is:	And, the number of SCANport connections provided is:
7 or 8	0	0
5 or 6	1	2
3 or 4	2	4
1 or 2	3	6
0	4	8

Wiring

To wire the 1203-FB1 base, connect a SCANport cable from the SCANport device to the desired channel. SCANport cables are available in either Male-to-Male or Male-to-Female configurations. You can connect cables of up to 10 meters (33 feet) between a SCANport device and any SCANport peripheral. If you use a port expander, you must subtract the cable length between any device and the expander from the maximum cable length used to connect a peripheral.

Specifications

Category	Description
I/O capacity	2 SCANport channels
SCANport voltage rating	12V dc +10% - 25%
SCANport current	60mA per channel
Isolation voltage	1200V ac/dc Flex to SCANport channel
SCANport cable	8-pin circular mini-DIN connector
Keypress position	1
Dimensions (with the module installed)	78.7H x 94.0W x 65.6D millimeters (3.1H x 3.7W x 2.7D inches)
Environmental conditions Temperature Operating Non-operating Humidity Operating Non-operating Shock Operating Non-operating Vibration	0 to +55°C (32 to 131°F) -40 to +85°C (-40 to 185°F) 5 to 80% non-condensing 5 to 95% non-condensing 30g peak acceleration, 11(±1)ms pulse width 50g peak acceleration, 11(±1)ms pulse width 5g @ 10-500Hz per IEC 68-2-6
Regulatory agencies	As specified by product label

Allen-Bradley

European Union Directive Compliance

If this product has the CE mark it is approved for installation within the European Union or EEA regions. It has been designed and tested to meet the following directives.

EMC Directive

This product is tested to meet Council Directive 89/336/EEC Electromagnetic Compatibility (EMC) and the following standards, in whole or in part, documented in a technical construction file:

- EN 50081-2 EMC – Generic Emission Standard, Part 2 – Industrial Environment
- EN 50082-2 EMC – Generic Immunity Standard, Part 2 – Industrial Environment

This product is intended for use in an industrial environment.

Low Voltage Directive

This product is tested to meet Council Directive 73/23/EEC Low Voltage, by applying the safety requirements of EN 61131-2 Programmable Controllers, Part 2 – Equipment Requirements and Tests.

For specific information required by EN 61131-2, see the appropriate sections in this publication, as well as the following Allen-Bradley publications:

- Industrial Automation Wiring and Grounding Guidelines, publication 1770-4.1
- Guidelines for Handling Lithium Batteries, publication AG-5.4
- Automation Systems Catalog, publication B111

 **Rockwell** Automation

Allen-Bradley

With major offices worldwide. 

World Headquarters, Allen-Bradley
1201 South Second Street
Milwaukee, WI 53204 USA
Tel (1) 414 382-2000 Fax (1) 414 382-4444

Publication 1203-5.7ML - April 1996

N95654101
Copyright 1996 Allen-Bradley Company, Inc. Printed in USA