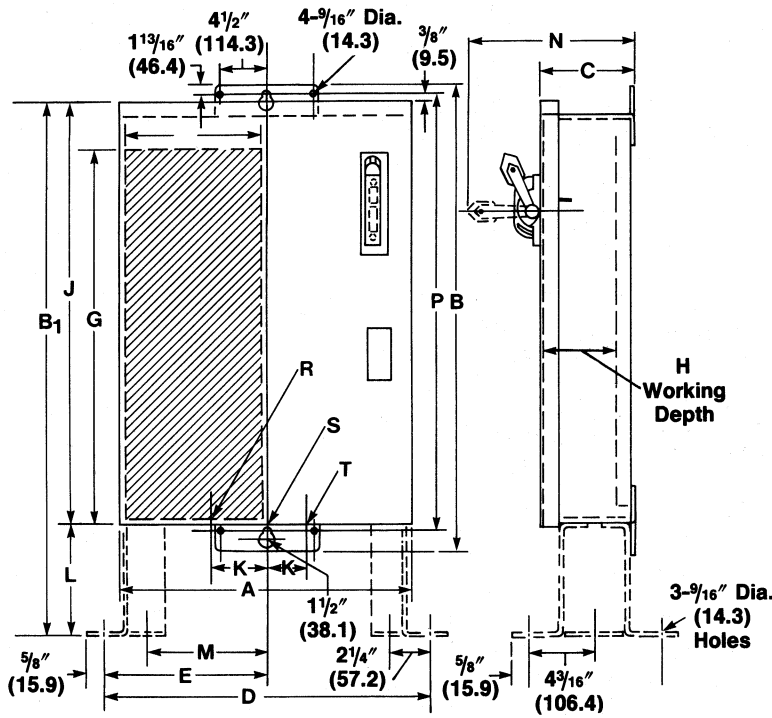




# PUMP CONTROL PANELS

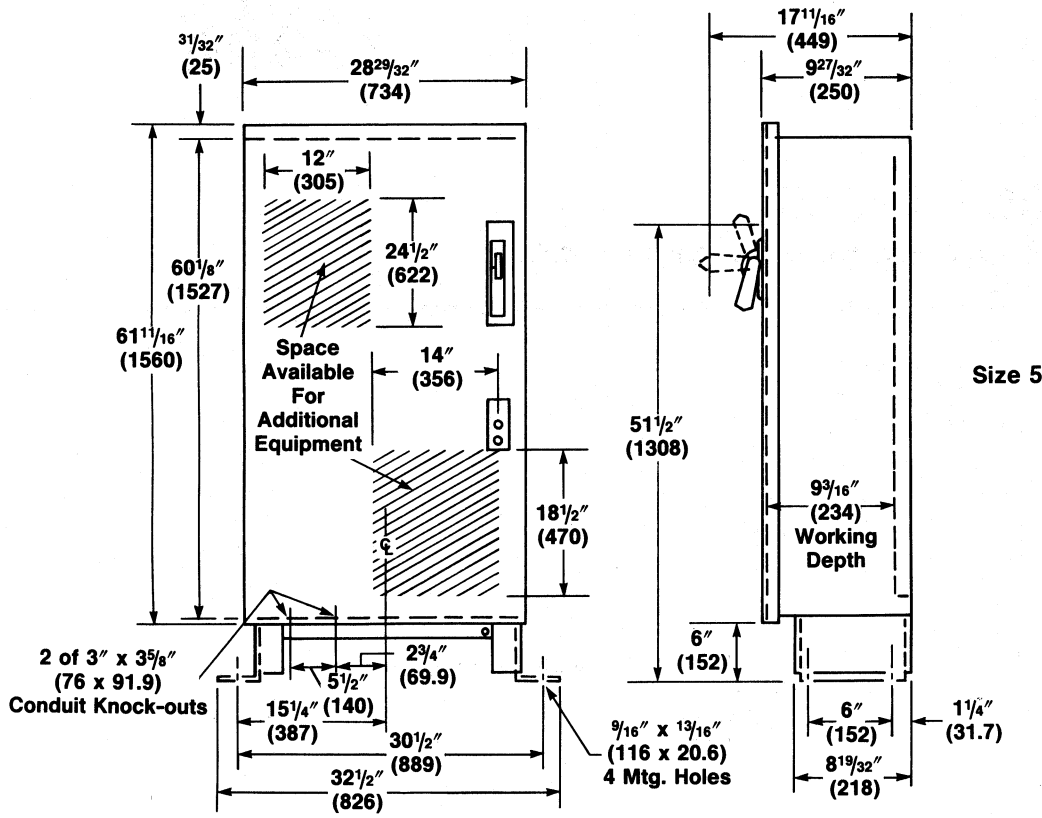
## NEMA Type 3R — Series U and Later



Size 1 Through 4

Bulletin Number	Size	Dimensions in Inches (MM)															Approx. Shipping Weight In-Lbs. (Kg)			
		A	B	B <sub>1</sub>	C	D	E	F	G	H	J	K	L	M	N	P		Conduit Knockouts		
		Wide	High	High	Deep													R	S	T
1232X	1	19 <sup>1</sup> / <sub>32</sub> (483.4)	31 <sup>3</sup> / <sub>32</sub> (789.8)	42 <sup>1</sup> / <sub>32</sub> (1077)	7 <sup>1</sup> / <sub>2</sub> (190.5)	20 <sup>7</sup> / <sub>16</sub> (519.3)	10 <sup>7</sup> / <sub>32</sub> (259.6)	8 <sup>1</sup> / <sub>2</sub> (215.9)	23 <sup>3</sup> / <sub>16</sub> (589)	6 <sup>7</sup> / <sub>8</sub> (174.6)	2 <sup>27</sup> / <sub>32</sub> (707.2)	2 <sup>1</sup> / <sub>4</sub> (57.2)	14 <sup>9</sup> / <sub>16</sub> (369.9)	7 <sup>3</sup> / <sub>32</sub> (202.4)	13 <sup>5</sup> / <sub>8</sub> (346.1)	28 <sup>23</sup> / <sub>32</sub> (729.5)	1 <sup>3</sup> / <sub>8</sub> x 1 <sup>5</sup> / <sub>8</sub> x 1 <sup>23</sup> / <sub>32</sub> (34.9 x 43.7)	7 <sup>8</sup> / <sub>8</sub> x 1 <sup>1</sup> / <sub>8</sub> (22.2 x 28.6)	1 <sup>1</sup> / <sub>8</sub> x 1 <sup>1</sup> / <sub>8</sub> x 1 <sup>23</sup> / <sub>32</sub> (28.6 x 34.9 x 43.7)	70 (31.5)
	2	19 <sup>1</sup> / <sub>32</sub> (483.4)	31 <sup>3</sup> / <sub>32</sub> (789.8)	42 <sup>1</sup> / <sub>32</sub> (1077)	7 <sup>1</sup> / <sub>2</sub> (190.5)	20 <sup>7</sup> / <sub>16</sub> (519.3)	10 <sup>7</sup> / <sub>32</sub> (259.6)	8 <sup>1</sup> / <sub>2</sub> (215.9)	23 <sup>3</sup> / <sub>16</sub> (589)	6 <sup>7</sup> / <sub>8</sub> (174.6)	2 <sup>27</sup> / <sub>32</sub> (707.2)	2 <sup>1</sup> / <sub>4</sub> (57.2)	14 <sup>9</sup> / <sub>16</sub> (369.9)	7 <sup>3</sup> / <sub>32</sub> (202.4)	13 <sup>5</sup> / <sub>8</sub> (346.1)	28 <sup>23</sup> / <sub>32</sub> (729.5)	1 <sup>3</sup> / <sub>8</sub> x 1 <sup>5</sup> / <sub>8</sub> x 1 <sup>23</sup> / <sub>32</sub> (34.9 x 43.7)	7 <sup>8</sup> / <sub>8</sub> x 1 <sup>1</sup> / <sub>8</sub> (22.2 x 28.6)	1 <sup>1</sup> / <sub>8</sub> x 1 <sup>1</sup> / <sub>8</sub> x 1 <sup>23</sup> / <sub>32</sub> (28.6 x 34.9 x 43.7)	72 (32.4)
	3	21 <sup>29</sup> / <sub>32</sub> (553.2)	45 <sup>3</sup> / <sub>32</sub> (1145)	56 <sup>1</sup> / <sub>32</sub> (1423)	8 <sup>23</sup> / <sub>32</sub> (221.5)	23 <sup>3</sup> / <sub>16</sub> (589)	11 <sup>19</sup> / <sub>32</sub> (294.5)	—	—	8 (203.2)	4 <sup>11</sup> / <sub>32</sub> (1053)	1 <sup>3</sup> / <sub>4</sub> (44.5)	14 <sup>9</sup> / <sub>16</sub> (369.9)	9 <sup>27</sup> / <sub>32</sub> (250)	14 <sup>7</sup> / <sub>8</sub> (377.8)	42 <sup>2</sup> / <sub>32</sub> (1083)	1 <sup>23</sup> / <sub>32</sub> x 1 <sup>3</sup> / <sub>32</sub> x 1 <sup>1</sup> / <sub>32</sub> (43.7 x 50)	—	1 <sup>23</sup> / <sub>32</sub> x 1 <sup>3</sup> / <sub>32</sub> x 1 <sup>1</sup> / <sub>32</sub> (43.7 x 50)	135 (60.8)
	4	25 <sup>29</sup> / <sub>32</sub> (658)	54 <sup>3</sup> / <sub>32</sub> (1374)	59 <sup>7</sup> / <sub>32</sub> (1504)	8 <sup>23</sup> / <sub>32</sub> (223)	27 <sup>9</sup> / <sub>16</sub> (690.6)	13 <sup>19</sup> / <sub>32</sub> (345.3)	—	—	8 <sup>1</sup> / <sub>64</sub> (203.6)	5 <sup>0</sup> / <sub>32</sub> (1287)	2 <sup>1</sup> / <sub>4</sub> (57.2)	8 <sup>9</sup> / <sub>16</sub> (217.5)	11 <sup>27</sup> / <sub>32</sub> (300.8)	17 <sup>1</sup> / <sub>2</sub> (444.5)	51 <sup>2</sup> / <sub>32</sub> (1312)	2 <sup>15</sup> / <sub>32</sub> x 3 (62.7 x 76.2)	—	2 <sup>15</sup> / <sub>32</sub> x 3 (62.7 x 76.2)	225 (101)
1233X	1	19 <sup>1</sup> / <sub>32</sub> (483.4)	31 <sup>3</sup> / <sub>32</sub> (789.8)	42 <sup>1</sup> / <sub>32</sub> (1077)	7 <sup>1</sup> / <sub>2</sub> (190.5)	20 <sup>7</sup> / <sub>16</sub> (519.3)	10 <sup>7</sup> / <sub>32</sub> (259.6)	8 <sup>1</sup> / <sub>2</sub> (215.9)	23 <sup>3</sup> / <sub>16</sub> (589)	6 <sup>7</sup> / <sub>8</sub> (174.6)	2 <sup>27</sup> / <sub>32</sub> (707.2)	2 <sup>1</sup> / <sub>4</sub> (57.2)	14 <sup>9</sup> / <sub>16</sub> (369.9)	7 <sup>3</sup> / <sub>32</sub> (202.4)	13 <sup>5</sup> / <sub>8</sub> (346.1)	28 <sup>23</sup> / <sub>32</sub> (729.5)	1 <sup>3</sup> / <sub>8</sub> x 1 <sup>5</sup> / <sub>8</sub> x 1 <sup>23</sup> / <sub>32</sub> (34.9 x 43.7)	7 <sup>8</sup> / <sub>8</sub> x 1 <sup>1</sup> / <sub>8</sub> (22.2 x 28.6)	1 <sup>1</sup> / <sub>8</sub> x 1 <sup>1</sup> / <sub>8</sub> x 1 <sup>23</sup> / <sub>32</sub> (28.6 x 34.9 x 43.7)	71 (32)
	2	19 <sup>1</sup> / <sub>32</sub> (483.4)	31 <sup>3</sup> / <sub>32</sub> (789.8)	42 <sup>1</sup> / <sub>32</sub> (1077)	7 <sup>1</sup> / <sub>2</sub> (190.5)	20 <sup>7</sup> / <sub>16</sub> (519.3)	10 <sup>7</sup> / <sub>32</sub> (259.6)	8 <sup>1</sup> / <sub>2</sub> (215.9)	23 <sup>3</sup> / <sub>16</sub> (589)	6 <sup>7</sup> / <sub>8</sub> (174.6)	2 <sup>27</sup> / <sub>32</sub> (707.2)	2 <sup>1</sup> / <sub>4</sub> (57.2)	14 <sup>9</sup> / <sub>16</sub> (369.9)	7 <sup>3</sup> / <sub>32</sub> (202.4)	13 <sup>5</sup> / <sub>8</sub> (346.1)	28 <sup>23</sup> / <sub>32</sub> (729.5)	1 <sup>3</sup> / <sub>8</sub> x 1 <sup>5</sup> / <sub>8</sub> x 1 <sup>23</sup> / <sub>32</sub> (34.9 x 43.7)	7 <sup>8</sup> / <sub>8</sub> x 1 <sup>1</sup> / <sub>8</sub> (22.2 x 28.6)	1 <sup>1</sup> / <sub>8</sub> x 1 <sup>1</sup> / <sub>8</sub> x 1 <sup>23</sup> / <sub>32</sub> (28.6 x 34.9 x 43.7)	71 (32)
	3	21 <sup>29</sup> / <sub>32</sub> (553.2)	45 <sup>3</sup> / <sub>32</sub> (1145)	56 <sup>1</sup> / <sub>32</sub> (1423)	8 <sup>23</sup> / <sub>32</sub> (221.5)	23 <sup>3</sup> / <sub>16</sub> (589)	11 <sup>19</sup> / <sub>32</sub> (294.5)	—	—	8 (203.2)	4 <sup>11</sup> / <sub>32</sub> (1053)	1 <sup>3</sup> / <sub>4</sub> (44.5)	14 <sup>9</sup> / <sub>16</sub> (369.9)	9 <sup>27</sup> / <sub>32</sub> (250)	14 <sup>7</sup> / <sub>8</sub> (377.8)	42 <sup>2</sup> / <sub>32</sub> (1083)	1 <sup>23</sup> / <sub>32</sub> x 1 <sup>3</sup> / <sub>32</sub> x 1 <sup>1</sup> / <sub>32</sub> (43.7 x 50)	—	1 <sup>23</sup> / <sub>32</sub> x 1 <sup>3</sup> / <sub>32</sub> x 1 <sup>1</sup> / <sub>32</sub> (43.7 x 50)	132 (59.4)
	4	21 <sup>29</sup> / <sub>32</sub> (553.2)	45 <sup>3</sup> / <sub>32</sub> (1145)	56 <sup>1</sup> / <sub>32</sub> (1423)	8 <sup>23</sup> / <sub>32</sub> (221.5)	23 <sup>3</sup> / <sub>16</sub> (589)	11 <sup>19</sup> / <sub>32</sub> (294.5)	—	—	8 (203.2)	4 <sup>11</sup> / <sub>32</sub> (1053)	2 <sup>1</sup> / <sub>4</sub> (57.2)	14 <sup>9</sup> / <sub>16</sub> (369.9)	9 <sup>27</sup> / <sub>32</sub> (250)	14 <sup>7</sup> / <sub>8</sub> (377.8)	42 <sup>2</sup> / <sub>32</sub> (1083)	2 <sup>15</sup> / <sub>32</sub> x 3 (62.7 x 76.2)	—	2 <sup>15</sup> / <sub>32</sub> x 3 (62.7 x 76.2)	142 (63.9)

■ For Size 2 applications with 100A-600 Volt Class H Fusing this dimension is 13" (330.2).



Size 5

