

# NEMA Pump Control Panels



## Bulletin 1232X and 1233X

## Product Profile

Allen-Bradley NEMA Pump Control Panels are specifically designed for irrigation and similar outdoor pumping applications.

### Product Applications

- Crop Irrigation
- Oil Pumping
- Waste Water Treatment
- Golf Course Irrigation
- Commercial Fish Farming
- Marina Slip Power Hook-ups

### Product Features

- Allen-Bradley NEMA Pump Control Panels feature the Bulletin 500 Line "proven choice" starter
- Available with a disconnect switch or circuit breaker
- Overload protection: eutectic alloy, or solid state
- NEMA Starter Sizes 1...5



### Enclosure Features

- Type 3R extra capacity enclosure — extra space for additional components
- Powder paint finish — provides durable protection in outdoor installations against rain, sleet and snow
- Color-coded molded handle — instant visual recognition if the pump panel is energized
- Proper component design and spacing — meets service entrance requirements
- External reset — allows overload relay to be reset without opening the enclosure
- Winglever screw fasteners — no tools are required for easy access to the enclosure
- Door positioner rod — holds the enclosure door open, even in windy conditions
- White mounting plate — maximizes ambient lighting for easy installation and wiring of components
- Disconnect and enclosure padlocking capability — eliminates unauthorized access
- H-O-A Selector Switch and a "RUN" push button as standard — provisions for extra pilot devices in the flange
- Mounting feet — allows for both pole or wall mounting standards

# AB Spares



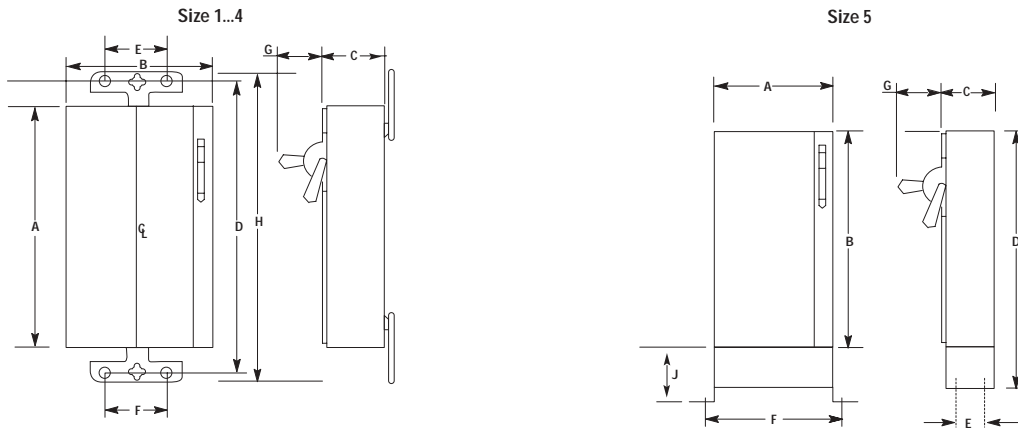
## Rockwell Automation

Bringing Together Leading Brands in Industrial Automation

## Approximate Dimensions

Approximate dimensions are shown in inches (millimeters). Dimensions are not intended to be used for manufacturing purposes.

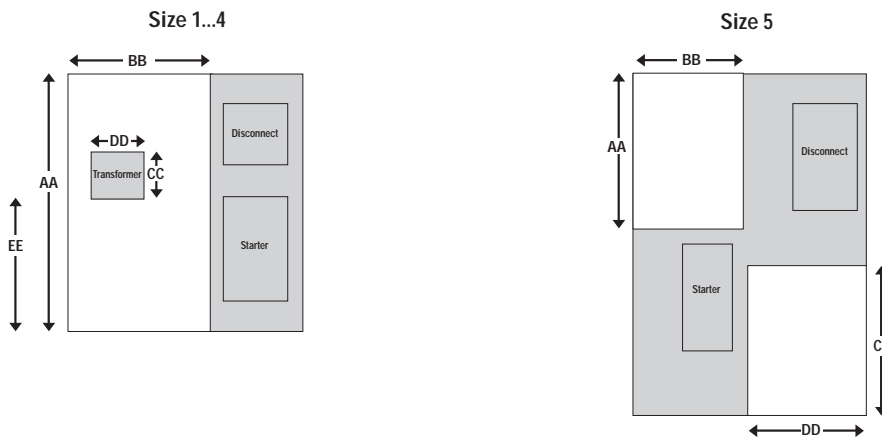
### Type 3R (Enclosure Code "N") Rainproof Enclosures with Extra Panel Space — for Bulletins 1232X and 1233X



### Enclosure Dimensions

NEMA Size	Approximate Dimensions in Inches (Millimeters)									Approx. Shipping Weight in lbs (kg)
	A Height	B Width	C Depth	D	E	F	G <sup>1</sup> Handle Depth	H	J	
1...2	30 (762)	20.5 (521)	8.72 (221)	34.88 (886)	10 (254)	10 (254)	5.56 (141)	36.38 (924)	—	90 (40.82)
3...4	50 (1270)	22 (559)	9.90 (251)	54.88 (1394)	10 (254)	10 (254)	5.56 (141)	56.38 (1432)	—	250 (113.4)
5	60.11 (1526.8)	28.9 (734.1)	9.85 (250.2)	66.88 (1699)	8.59 (218)	30.5 (775)	7.84 (199)	—	6.0 (152.4)	

<sup>1</sup> Size 5 pump panels with a circuit breaker have a handle depth of 5.56 inches (141).



### Available Mounting Plate Space Dimensions — The white areas represent the available space on the mounting plate

Size	Approximate Dimensions in Inches (Millimeters)				
	AA	BB	CC	DD	EE
1...2	24.1 (612.14)	10.5 (266.7)	6 (152.4)	6 (152.4)	10.5 (266.7)
3	37.5 (952.5)	10 (254)	6 (152.4)	6 (152.4)	20 (508)
4	37.5 (952.5)	9 (228.6)	6 (152.4)	6 (152.4)	20 (508)
5	12 (304.8)	24.5 (622.3)	18.5 (469.9)	14 (355.6)	—