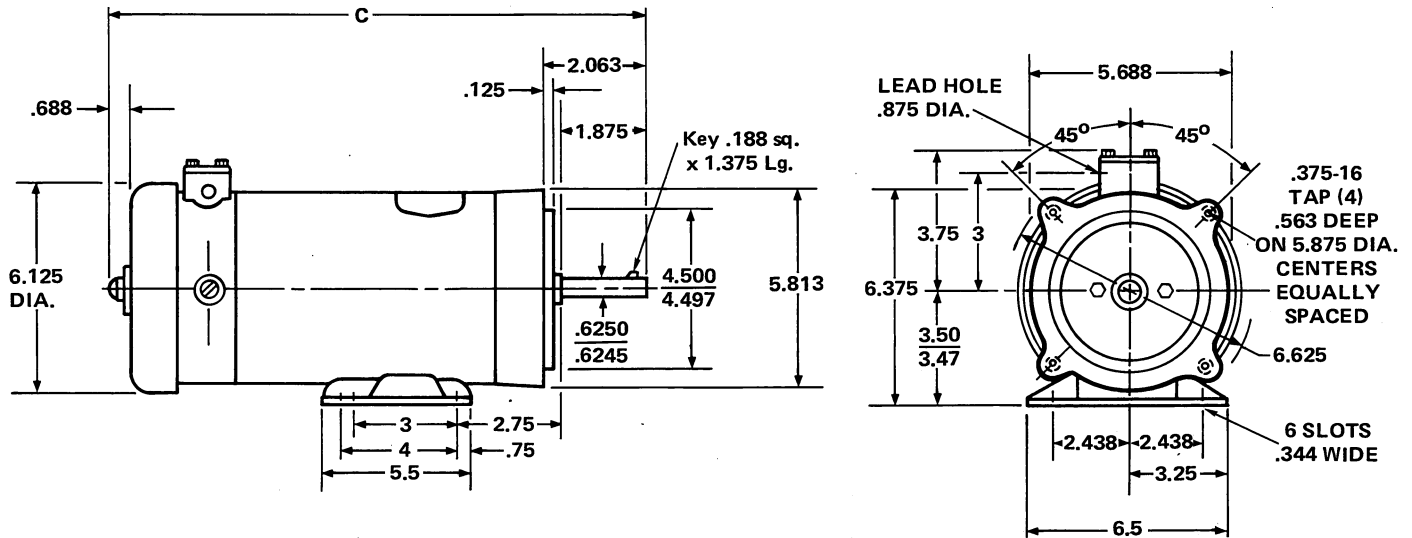




**DC MOTORS NEMA C-FACE  
TOTALLY ENCLOSED FAN COOLED  
PERMANENT MAGNET**

**TYPE B**

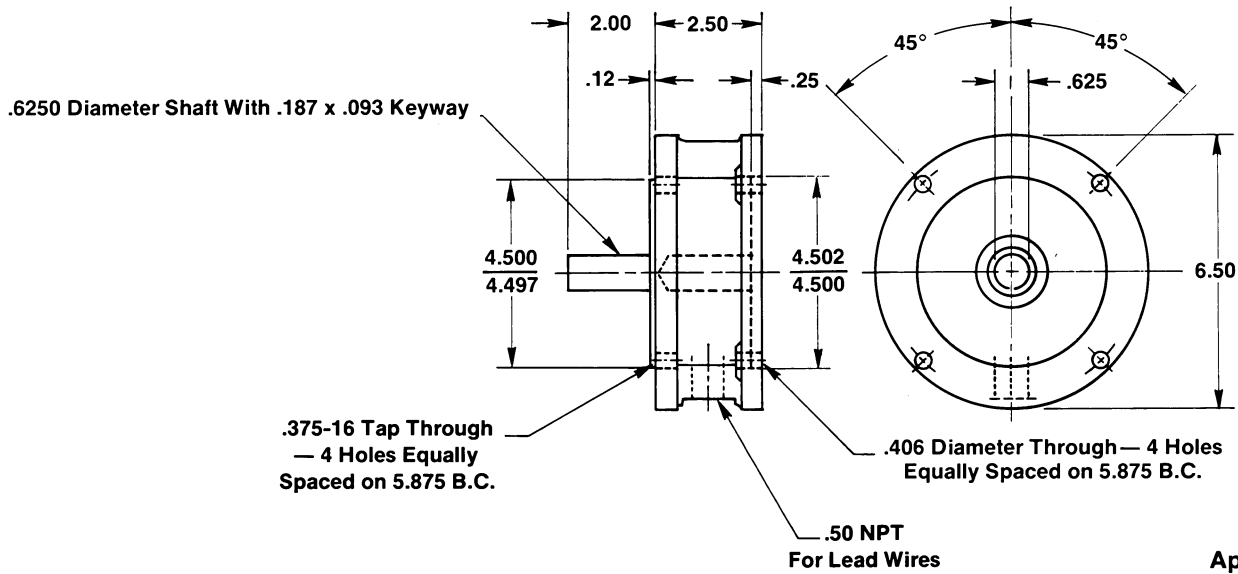


Dimension Ref. No.	Frame	HP	RPM	DC Motor Cat. No.	Dimension C <b>1</b>	Approx. Net Wt. (Lbs.)	
B1	56BC	1/8	1750	1324-MB56EC17	12.94	27	
B2	56BC		1150	1324-MB56EC11	12.94	27	
B3	56C	1/4	3500	1324-MB57EC35	12.94	27	
B4	56C		2500	1324-MB57EC25	12.94	27	
B5	56C		1750	1324-MB57EC17	12.94	27	
B6	56C		1150	1324-MB57EC11	12.94	28	
B7	56C	1/2	3500	1324-MB59EC35 1324-MB59FC35	12.94	28	
B8	56C		2500	1324-MB59EC25 1324-MB59FC25	12.94	28	
B9	56C		1750	1324-MB59EC17 1324-MB59FC17	14.44	31	
B10	56C		1150	1324-MB59EC11 1324-MB59FC11	14.44	31	
B11	56C		3/4	3500	1324-MB60EC35 1324-MB60FC35	14.44	31
B12	56C			2500	1324-MB60EC25 1324-MB60FC25	14.44	31
B13	56C	1750		1324-MB60EC17 1324-MB60FC17	14.44	38	
B14	56C	1150		1324-MB60EC11 1324-MB60FC11	15.31	50	
B15	56C	1	3500	1324-MB61EC35 1324-MB61FC35	14.44	31	
B16	56C		2500	1324-MB61EC25 1324-MB61FC25	14.44	38	
B17	56C		1750	1324-MB61EC17 1324-MB61FC17	15.31	43	
B18	56C	1 1/2	3500	1324-MB62FC35	15.31	44	

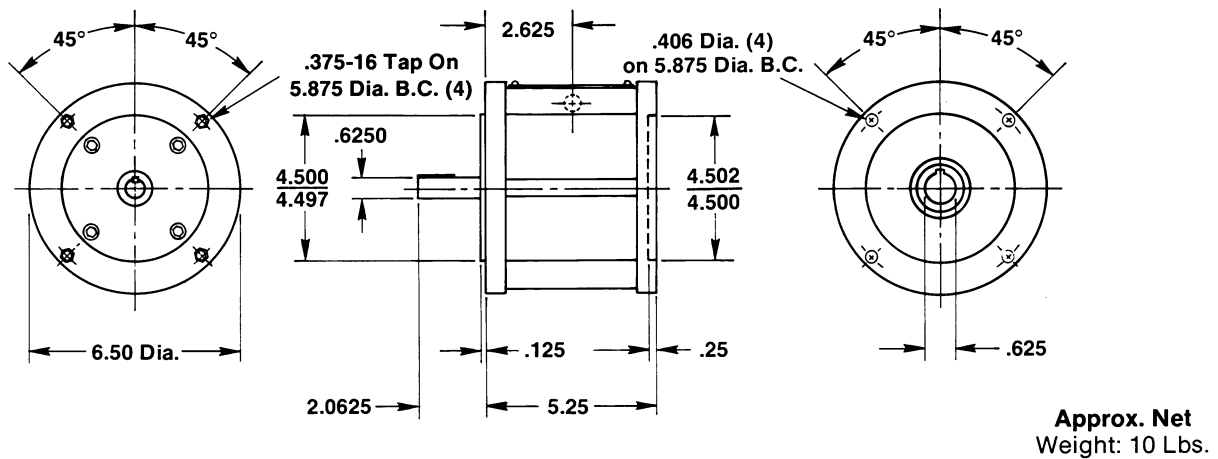
**1** All dimensions in inches. Dimensions and weights are for estimating only unless endorsed for construction.

# ACCESSORIES <sup>■</sup>

## 3AMF STYLE AC TACHOMETER



## 360F STYLE DC TACHOMETER



■ All dimensions in inches. Dimensions and weights are for **estimating** only unless endorsed for construction.

