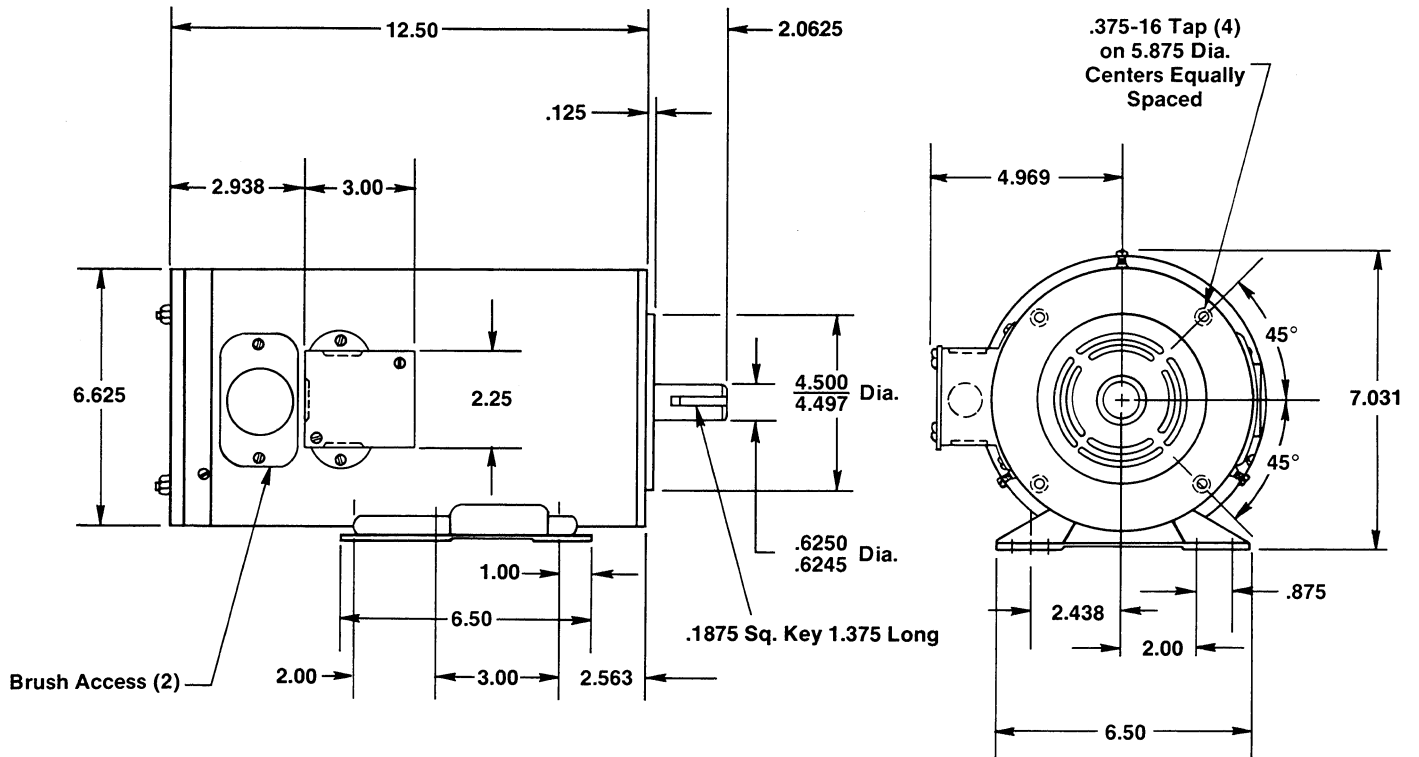




**DC MOTORS ¹
TOTALLY ENCLOSED NON-VENTILATED
PERMANENT MAGNET**

TYPE H

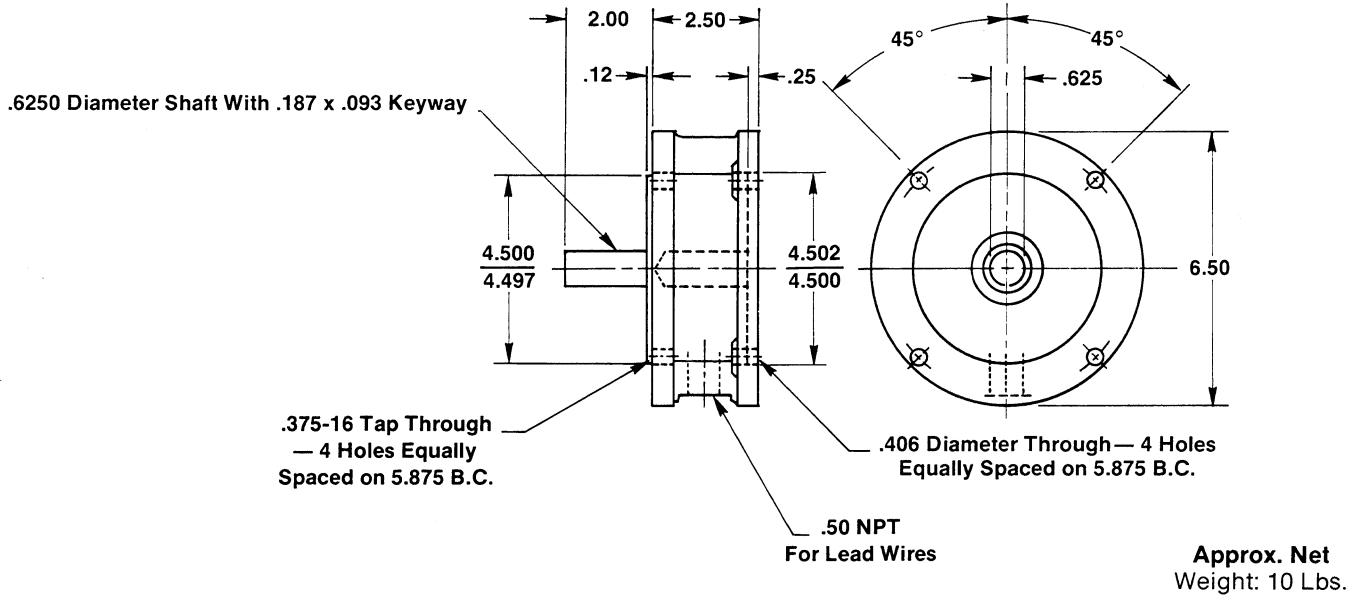


Dimension Ref. No.	Frame	HP	RPM	DC Motor Cat. No.	Approx. Net Wt.
H9	56BC	3/4	1200	1325-MH60EB11	41 Lbs.

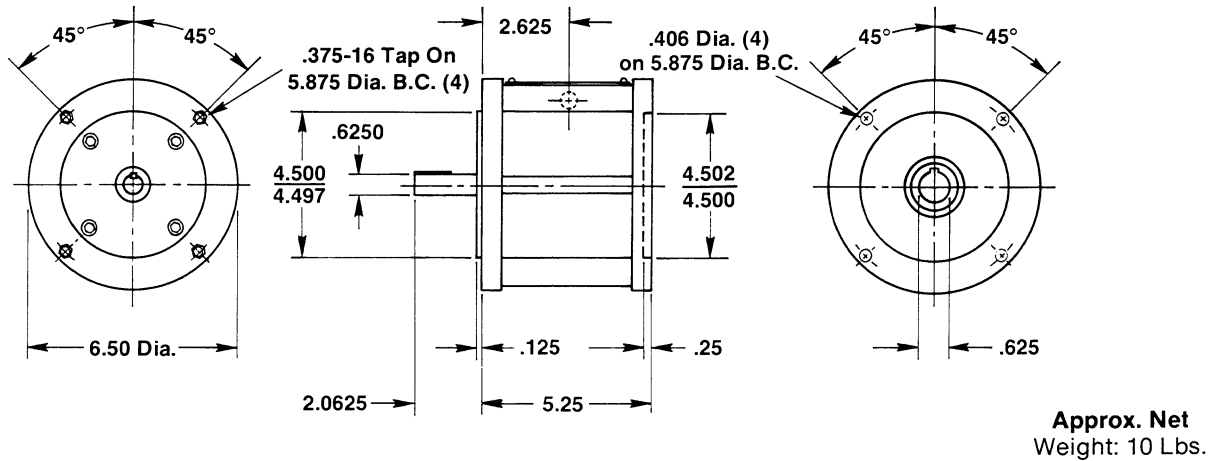
¹ All dimensions in inches. Dimensions and weights are for **estimating** only unless endorsed for construction.

ACCESSORIES ¹

3AM STYLE AC TACHOMETER



360 STYLE DC TACHOMETER



¹ All dimensions in inches. Dimensions and weights are for **estimating** only unless endorsed for construction.

