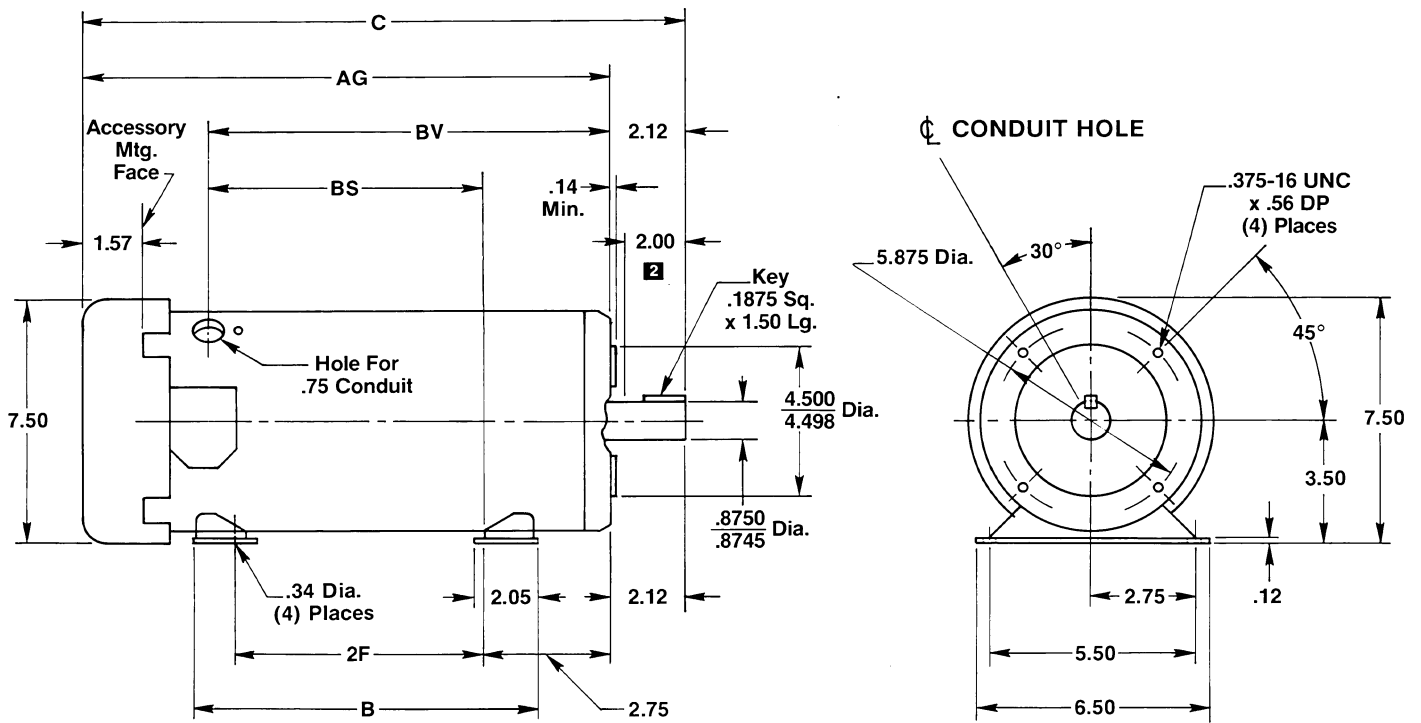




**DC MOTORS NEMA C-FACE
TOTALLY ENCLOSED FAN COOLED**

TYPE G



Dimension Ref. No.	Frame	HP	RPM	DC Motor Catalog No.	Dimensions 1						Approx. Net Wt.
					B	C	2F	AG	BS	BV	
G1	146ATC	1	2500	1325-MG61BC25	8.64	15.61	5.50	13.49	6.80	9.68	48 Lbs.
G2	146ATC		1750	1325-MG61BC17	8.64	15.61	5.50	13.49	6.80	9.68	48 Lbs.
G3	148ATC		1150	1325-MG61BC11	10.14	16.86	7.00	14.74	8.05	10.93	59 Lbs.
G4	148ATC	1½	2500	1325-MG62BC25	10.14	16.86	7.00	14.74	8.05	10.93	59 Lbs.
G5	148ATC		1750	1325-MG62BC17	10.14	16.86	7.00	14.74	8.05	10.93	59 Lbs.
G6	1412ATC		1150	1325-MG62BC11	14.14	20.73	11.00	18.61	11.92	14.80	93 Lbs.
G7	148ATC	2	2500	1325-MG63BC25	10.14	16.86	7.00	14.74	8.05	10.93	59 Lbs.
G8	149ATC		1750	1325-MG63BC17	11.14	17.98	8.00	15.86	9.17	12.05	69 Lbs.
G9	1412ATC		1150	1325-MG63BC11	14.14	20.73	11.00	18.61	11.92	14.80	93 Lbs.
G10	1412ATC	3	2500	1325-MG64BC25	14.14	20.73	11.00	18.61	11.92	14.80	93 Lbs.
G11	1412ATC		1750	1325-MG64BC17	14.14	20.73	11.00	18.61	11.92	14.80	93 Lbs.

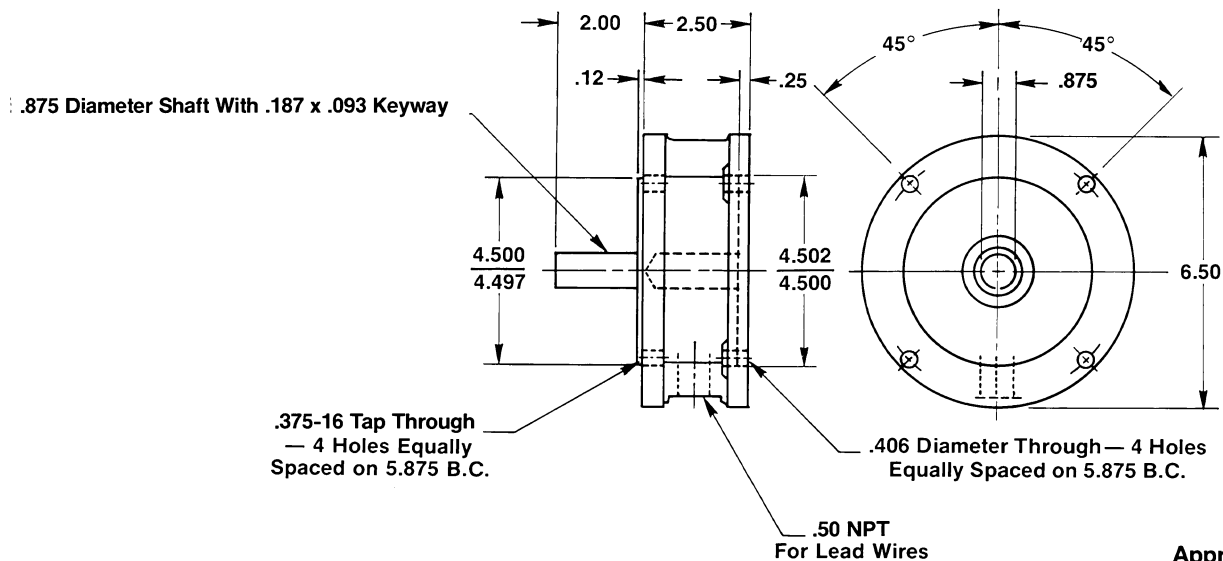
1 All dimensions in inches. Dimensions and weights are for estimating only unless endorsed for construction.

2 Represents minimum shaft length available for hubs.

Allen-Bradley Replacements

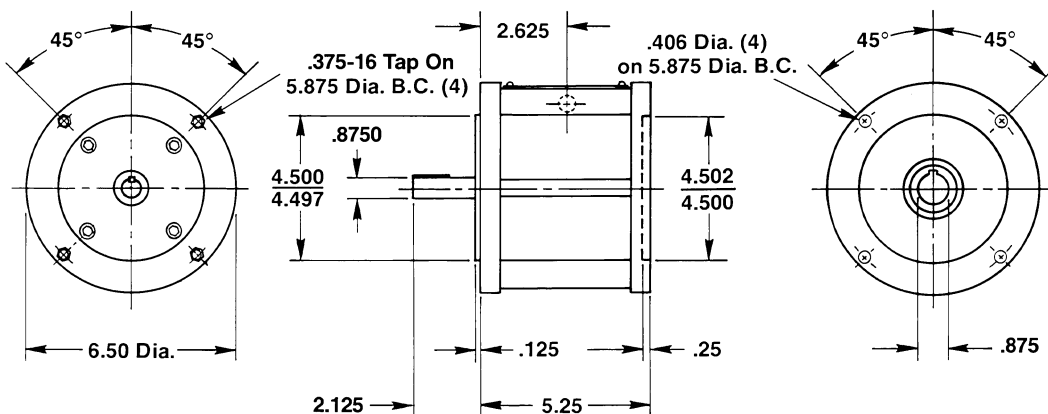
ACCESSORIES ▣

3AM STYLE AC TACHOMETER



Approx. Net Weight: 10 Lbs.

360 STYLE DC TACHOMETER



Approx. Net Weight: 10 Lbs.

1 All dimensions in inches. Dimensions and weights are for **estimating** only unless endorsed for construction.

