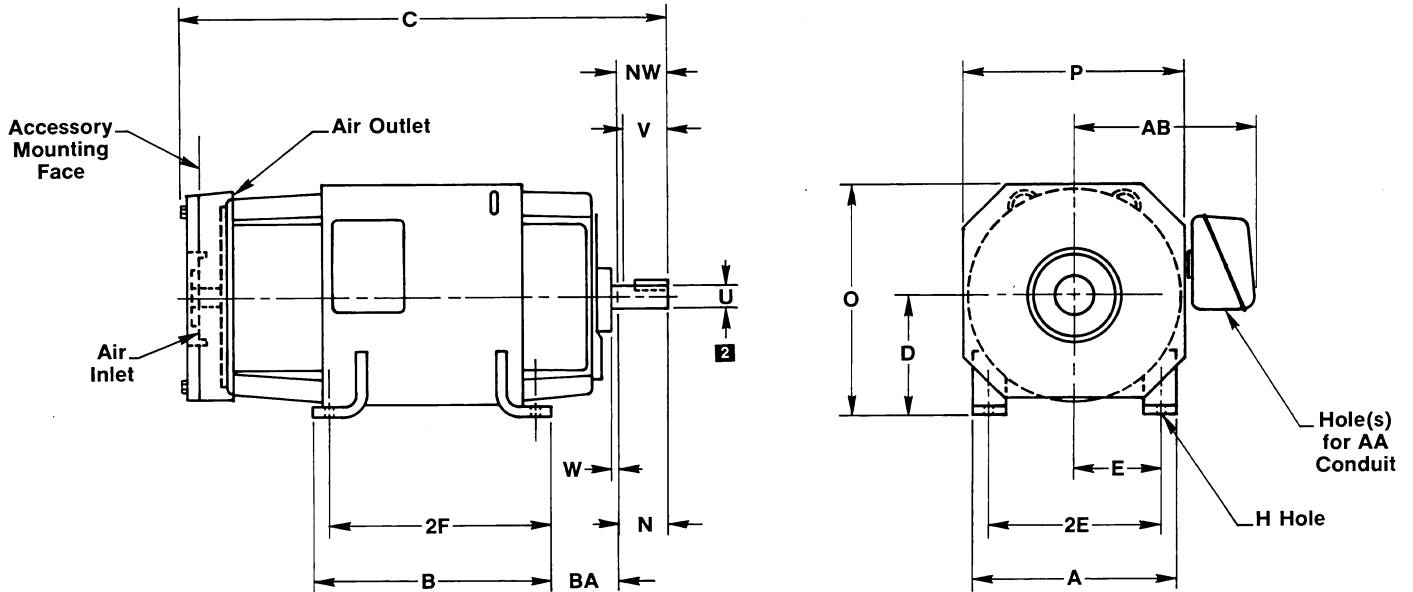




**DC MOTORS  
TOTALLY ENCLOSED FAN COOLED**

**TYPE G**



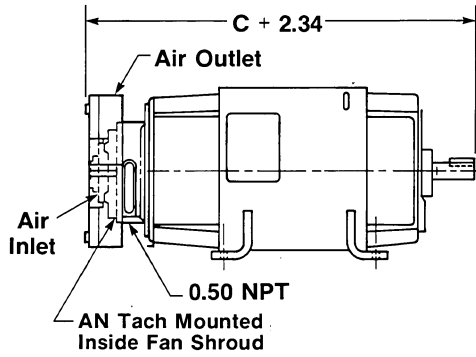
Dimension Ref. No.	Frame	Dimensions <sup>1</sup>																	Approx. Net Wt.	
		A Max.	B Max.	C	D	E	2F	H	N	O	P	U	V	W	N-W	BA	A-B	AA		Key Square
G63	258AT	12.40	14.06	30.32	6.25	5.00	12.50	.5312	3.41	12.75	13.00	1.625	3.00	.16	3.25	4.25	11.74	2.00	.375	397 Lbs.
G64	259AT	12.40	15.56	31.94	6.25	5.00	14.00	.5312	3.41	12.75	13.00	1.625	3.00	.16	3.25	4.25	11.74	2.00	.375	442 Lbs.
G65	287AT	13.88	14.16	34.66	7.00	5.50	12.50	.5312	3.91	14.25	14.52	1.875	3.50	.16	3.75	4.75	12.46	2.00	.50	532 Lbs.
G66	288AT	13.88	15.66	36.40	7.00	5.50	14.00	.5312	3.91	14.25	14.52	1.875	3.50	.16	3.75	4.75	12.46	2.00	.50	587 Lbs.
G67	327AT	15.88	15.96	37.62	8.00	6.25	14.00	.6562	4.41	16.25	16.52	2.125	4.00	.16	4.25	5.25	13.44	2.00	.50	732 Lbs.
G68	328AT	15.88	17.96	39.50	8.00	6.25	16.00	.6562	4.41	16.25	16.52	2.125	4.00	.16	4.25	5.25	13.44	2.00	.50	812 Lbs.
G69	365AT	17.92	14.16	38.22	9.00	7.00	12.25	.8125	4.92	17.91	17.90	2.375	4.50	.17	4.75	5.875	17.82	4.00	.625	830 Lbs.
G70	366AT	17.92	15.90	40.42	9.00	7.00	14.00	.8125	4.92	17.91	17.90	2.375	4.50	.17	4.75	5.875	17.82	4.00	.625	940 Lbs.
G71	368AT	17.92	19.90	43.42	9.00	7.00	18.00	.8125	4.92	17.91	17.90	2.375	4.50	.17	4.75	5.875	17.82	4.00	.625	1100 Lbs.
G72	407AT	20.00	20.16	44.90	10.00	8.00	18.00	.9375	5.42	20.15	20.38	2.625	5.00	.17	5.25	6.625	19.22	4.00	.625	1380 Lbs.
G73	L407AT	20.00	20.16	48.30	10.00	8.00	18.00	.9375	5.42	20.15	20.38	2.625	5.00	.17	5.25	6.625	19.22	4.00	.625	1430 Lbs.
G74	409AT	20.00	24.16	49.40	10.00	8.00	22.00	.9375	5.42	20.15	20.38	2.625	5.00	.17	5.25	6.625	19.22	4.00	.625	1680 Lbs.
G75	L409AT	20.00	24.16	52.80	10.00	8.00	22.00	.9375	5.42	20.15	20.38	2.625	5.00	.17	5.25	6.625	19.22	4.00	.625	1730 Lbs.

<sup>1</sup> All dimensions in inches. Dimensions and weights are for estimating only unless endorsed for construction.

<sup>2</sup> Represents minimum length of shaft available for hubs.

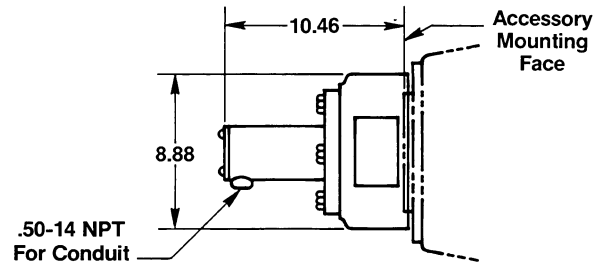
# ACCESSORIES ▣

## AN STYLE AC TACHOMETER



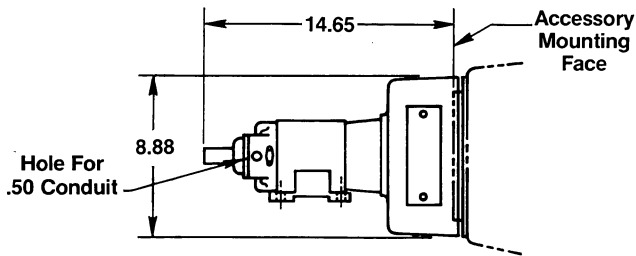
Approx. Net  
Weight: 15 Lbs.

## PY STYLE DC TACHOMETER



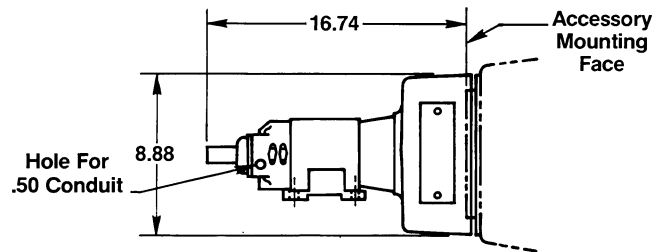
Approx. Net  
Weight: 18 Lbs.

## C42 STYLE DC TACHOMETER



Approx. Net  
Weight: 35 Lbs.

## C46 STYLE DC TACHOMETER



Approx. Net  
Weight: 45 Lbs.

▣ All dimensions in inches. Dimensions and weights are for estimating only unless endorsed for construction.

