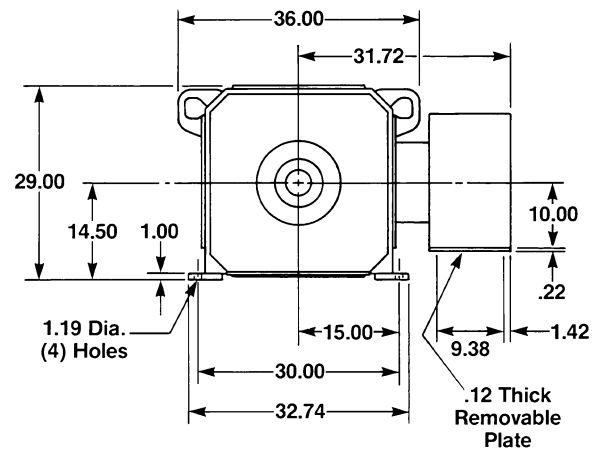
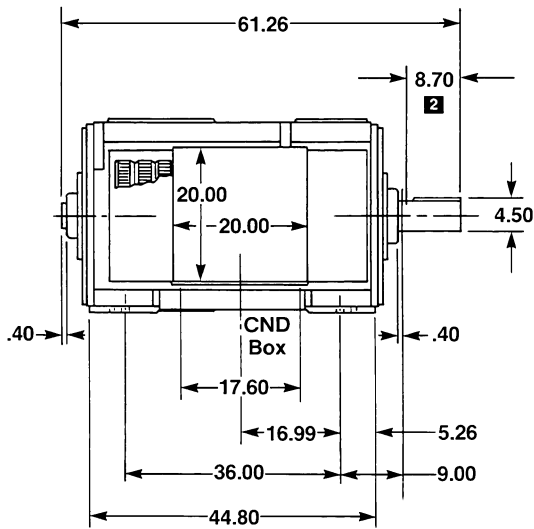




DC MOTORS ¹ DRIPPROOF FULLY GUARDED, ENCLOSED SEPARATELY VENTILATED

TYPE G



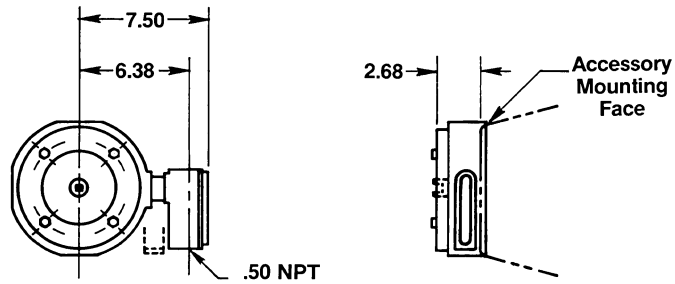
Dimension Ref. No.	Frame	Approx. Net Wt.
G86	4352	4200 Lbs.

¹ All dimensions in inches. Dimensions and weights are for **estimating** only unless endorsed for construction.

² Represents minimum length of shaft available for hubs.

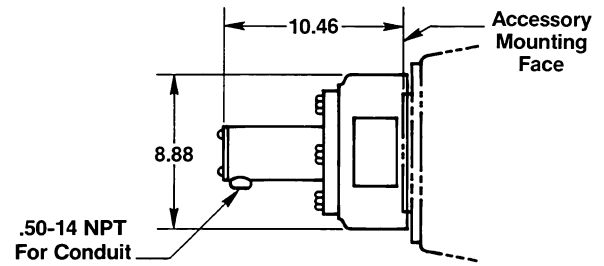
ACCESSORIES ¹

AN STYLE AC TACHOMETER



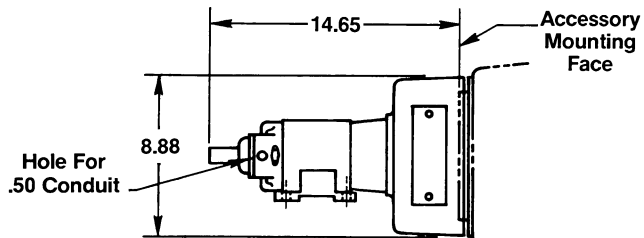
Approx. Net
Weight: 15 Lbs.

PY STYLE DC TACHOMETER



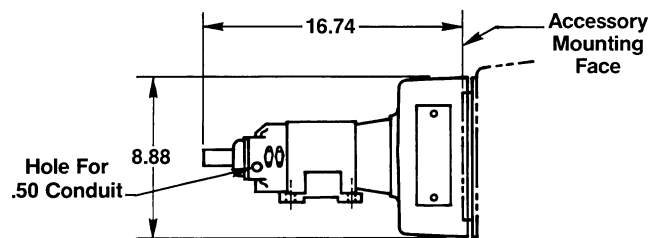
Approx. Net
Weight: 18 Lbs.

C42 STYLE DC TACHOMETER



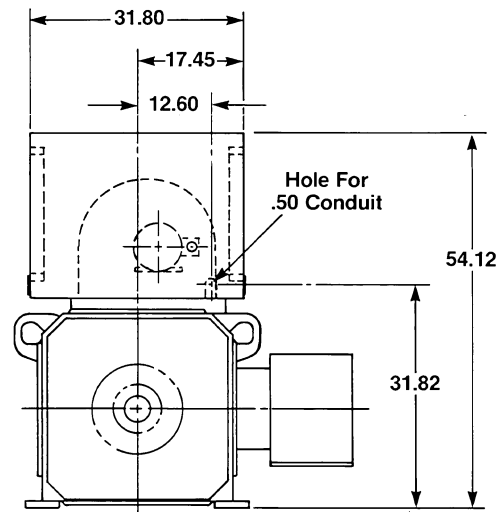
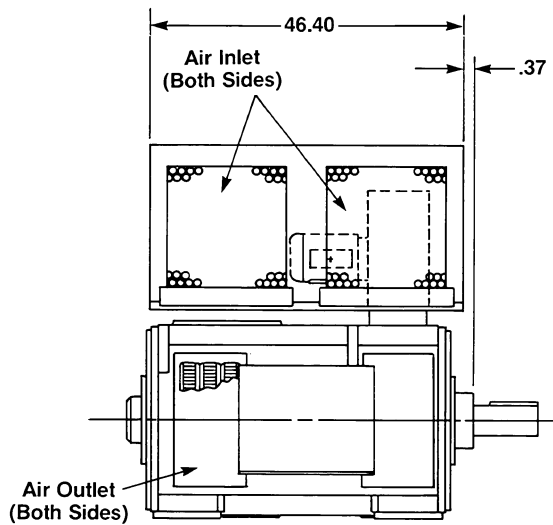
Approx. Net
Weight: 35 Lbs.

C46 STYLE DC TACHOMETER



Approx. Net
Weight: 45 Lbs.

MOTOR MOUNTED BLOWER WITH FILTER



Approx. Net
Weight: 364 Lbs.

¹ All dimensions in inches. Dimensions and weights are for estimating only unless endorsed for construction.

