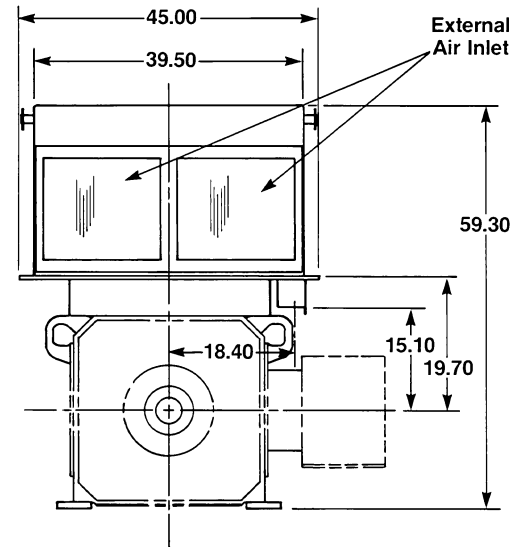
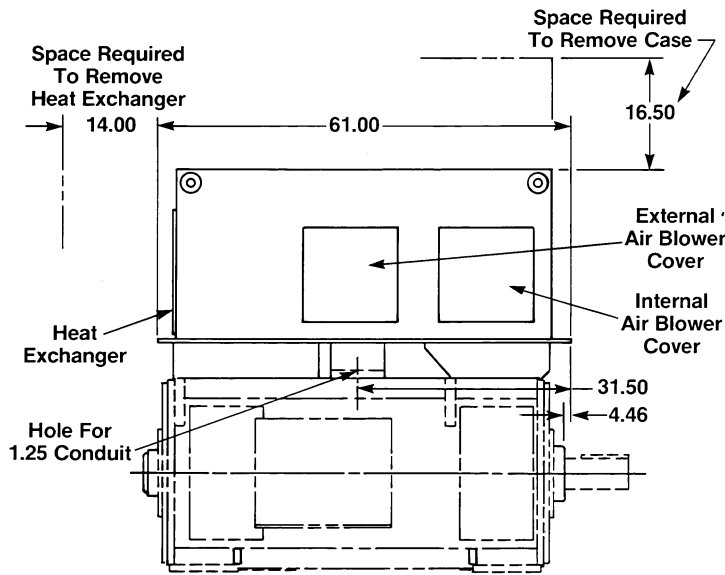




DC MOTORS[®] UNIT COOLER MODIFICATION

TYPE G



Dimension Ref. No.	For Use With Frame	Approx. Net Wt. (Unit Cooler Only)
G87	4352	980 Lbs.

1 All dimensions in inches. Dimensions and weights are for **estimating** only unless endorsed for construction.