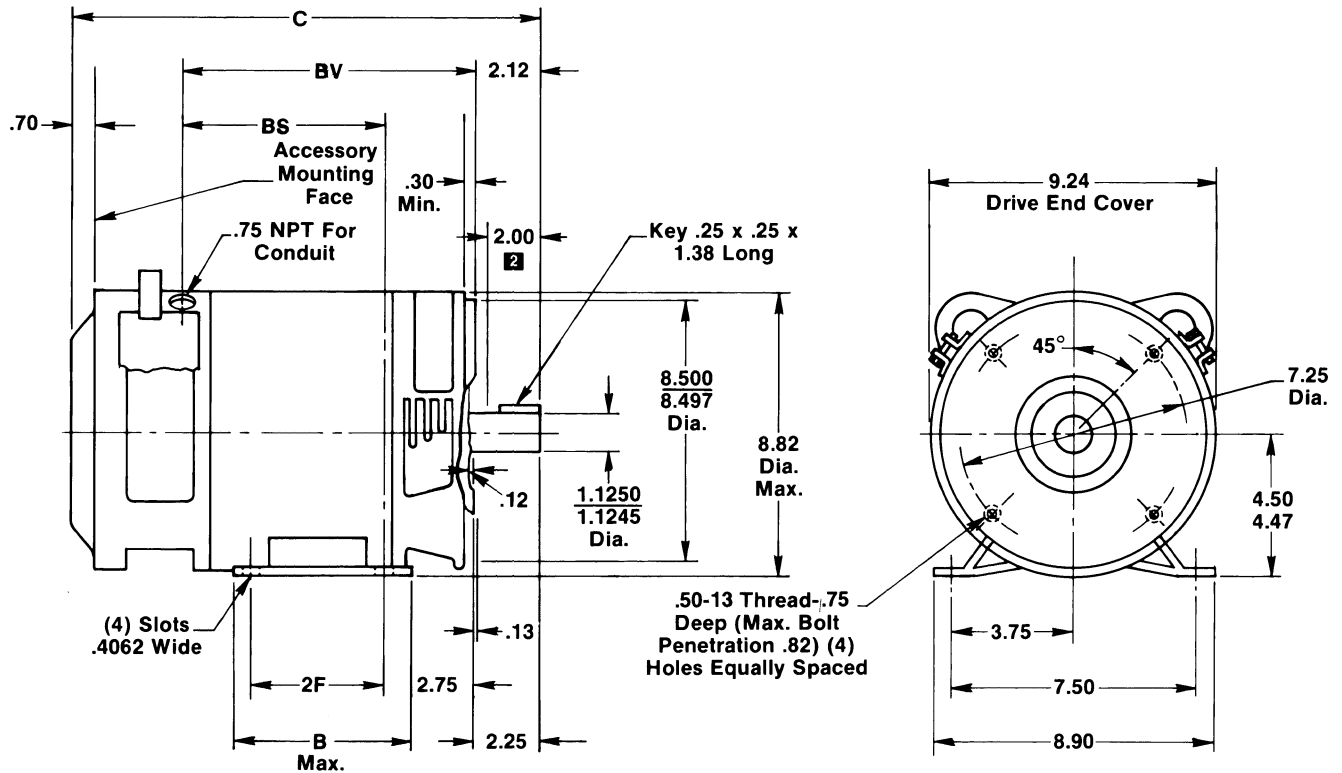




**DC MOTORS NEMA C-FACE
DRIPPROOF FULLY GUARDED, AND
TOTALLY ENCLOSED NON-VENTILATED**

TYPE G



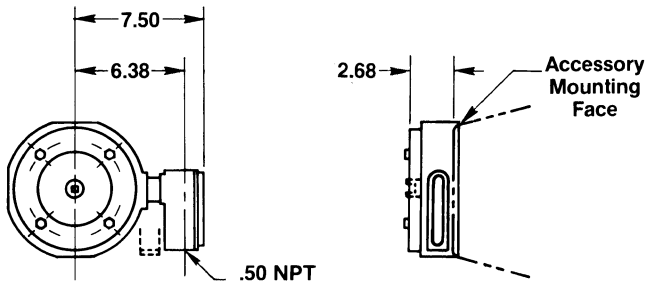
Dimension Ref. No.	Frame	Dimensions ¹					Approx. Net Wt.
		B	C	2F	BS	BV	
G16	L182ATC	5.80	15.26	4.50	6.63	9.51	80 Lbs.
G17	186ATC	8.30	16.76	7.00	8.13	11.01	102 Lbs.
G18	L186ATC	8.30	18.76	7.00	10.13	13.01	128 Lbs.
G19	189ATC	11.56	20.76	10.00	12.13	15.01	162 Lbs.

¹ All dimensions in inches. Dimensions and weights are for **estimating** only unless endorsed for construction.
² Represents minimum shaft length available for hubs.



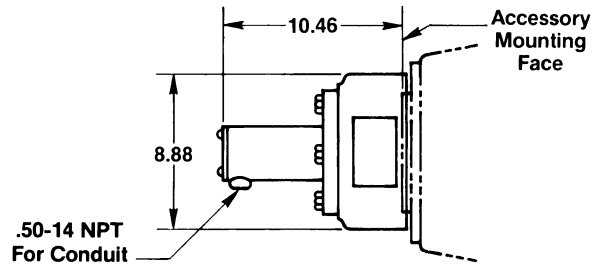
ACCESSORIES ▣

AN STYLE AC TACHOMETER



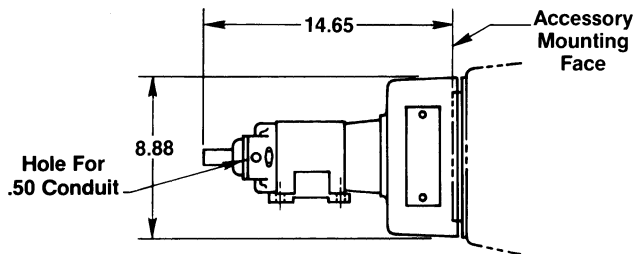
Approx. Net Weight: 15 Lbs.

PY STYLE DC TACHOMETER



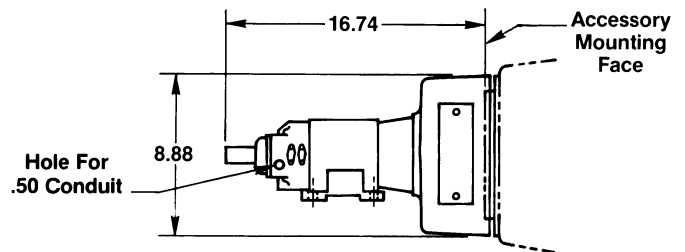
Approx. Net Weight: 18 Lbs.

C42 STYLE DC TACHOMETER



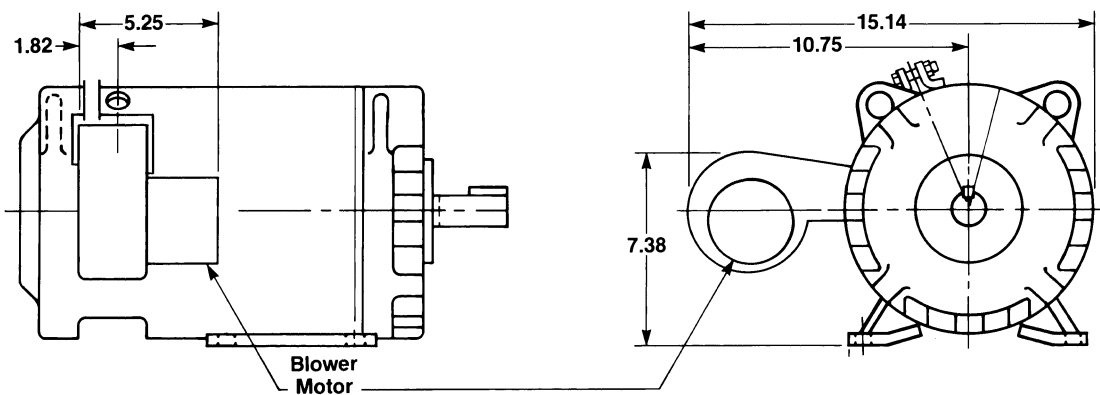
Approx. Net Weight: 35 Lbs.

C46 STYLE DC TACHOMETER



Approx. Net Weight: 45 Lbs.

MOTOR MOUNTED BLOWER WITH FILTER



Approx. Net Weight: 4 Lbs.

1 All dimensions in inches. Dimensions and weights are for estimating only unless endorsed for construction.

