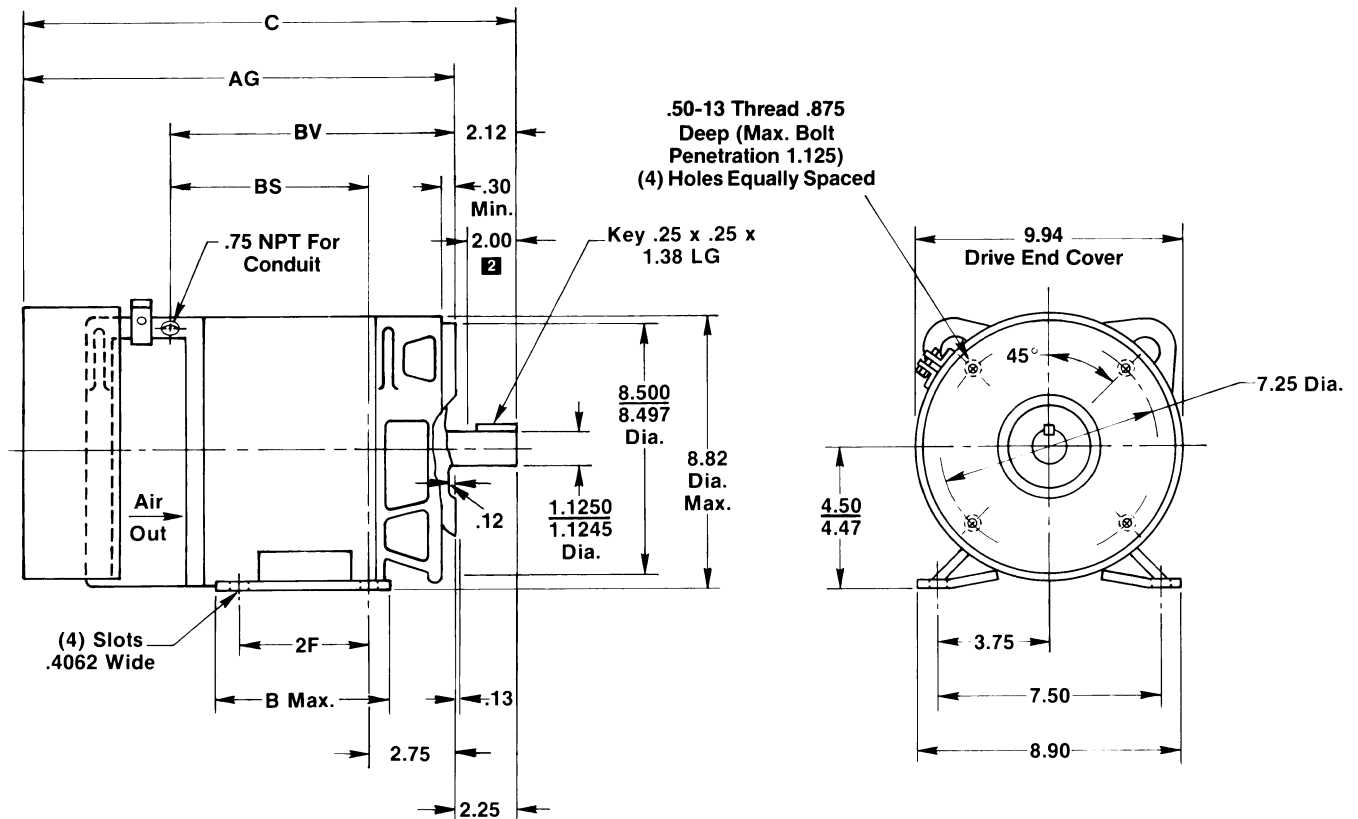




# DC MOTORS NEMA C-FACE TOTALLY ENCLOSED FAN COOLED

## TYPE G



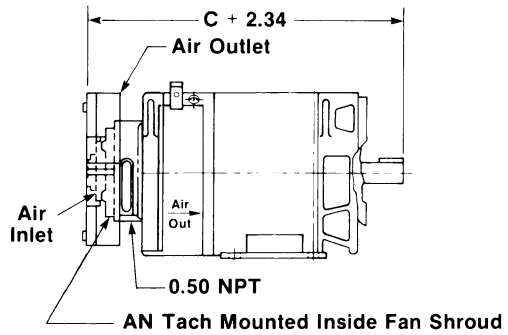
Dimension Ref. No.	Frame	Dimensions <sup>1</sup>							Approx. Net Wt.
		B	C	FC	2F	AG	BS	BV	
G24	L182ATC	5.80	17.45	19.47	4.50	15.33	6.63	9.51	83 Lbs.
G25	186ATC	8.30	18.95	20.97	7.00	16.83	8.13	11.01	105 Lbs.
G26	L186ATC	8.30	20.95	22.97	7.00	18.83	10.13	13.01	133 Lbs.
G27	189ATC	11.56	22.95	24.97	10.00	20.83	12.13	15.01	165 Lbs.

<sup>1</sup> All dimensions in inches. Dimensions and weights are for **estimating** only unless endorsed for construction.

<sup>2</sup> Represents minimum shaft length available for hubs.

# ACCESSORIES<sup>1 2</sup>

## AN STYLE AC TACHOMETER



**Approx. Net**  
Weight: 15 Lbs.

**1** All dimensions in inches. Dimensions and weights are for **estimating** only unless endorsed for construction.

**2** DC style tachs are not available on these motors due to the endshield construction.



**ALLEN-BRADLEY**