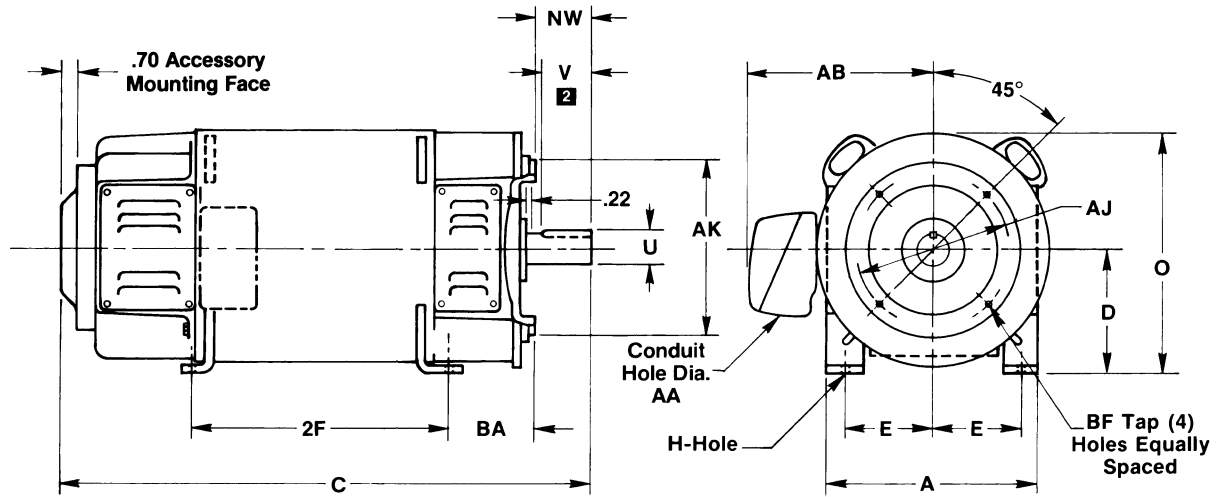




**DC MOTORS NEMA C-FACE
DRIPPROOF FULLY GUARDED, SPLASH-PROOF
AND TOTALLY ENCLOSED NON-VENTILATED**

TYPE G



| Dimension Ref. No. | Frame | Dimensions ¹ | | | | | | | | | | | | | | | | | Approx. Net Wt. | |
|--------------------|---------|-------------------------|-------|------|------|-------|-------|-------|-------|------|------|-------|-------|--------|------|-------|-------|------|-----------------|------------|
| | | A Max. | C | D | E | 2F | H | O | U | V | N-W | AJ | AK | BF | | BA | AB | AA | | Key Square |
| | | | | | | | | | | | | | | | Tap | Depth | | | | |
| G54 | 218ATC | 10.40 | 24.22 | 5.25 | 4.25 | 10.00 | .4062 | 10.46 | 1.375 | 2.50 | 2.75 | 7.25 | 8.50 | 500-13 | 1.00 | 3.50 | 11.48 | 2.00 | .3125 | 243 Lbs. |
| G55 | 219ATC | 10.40 | 25.22 | 5.25 | 4.25 | 11.00 | .4062 | 10.46 | 1.375 | 2.50 | 2.75 | 7.25 | 8.50 | 500-13 | 1.00 | 3.50 | 11.48 | 2.00 | .3125 | 261 Lbs. |
| G56 | 2110ATC | 10.40 | 26.72 | 5.25 | 4.25 | 12.50 | .4062 | 10.46 | 1.375 | 2.50 | 2.75 | 7.25 | 8.50 | 500-13 | 1.00 | 3.50 | 11.48 | 2.00 | .3125 | 289 Lbs. |
| G57 | 258ATC | 12.40 | 27.14 | 6.25 | 5.00 | 12.50 | .5312 | 12.46 | 1.625 | 3.00 | 3.25 | 7.25 | 8.50 | 500-13 | 1.00 | 4.25 | 11.74 | 2.00 | .375 | 378 Lbs. |
| G58 | 259ATC | 12.40 | 28.76 | 6.25 | 5.00 | 14.00 | .5312 | 12.46 | 1.625 | 3.00 | 3.25 | 7.25 | 8.50 | 500-13 | 1.00 | 4.25 | 11.74 | 2.00 | .375 | 420 Lbs. |
| G59 | 287ATC | 13.88 | 30.98 | 7.00 | 5.50 | 12.50 | .5312 | 13.94 | 1.875 | 3.50 | 3.75 | 9.00 | 10.50 | 500-13 | 1.00 | 4.75 | 12.46 | 3.00 | .50 | 522 Lbs. |
| G60 | 288ATC | 13.88 | 32.72 | 7.00 | 5.50 | 14.00 | .5312 | 13.94 | 1.875 | 3.50 | 3.75 | 9.00 | 10.50 | 500-13 | 1.00 | 4.75 | 12.46 | 3.00 | .50 | 577 Lbs. |
| G61 | 327ATC | 15.88 | 33.44 | 8.00 | 6.25 | 14.00 | .6562 | 15.94 | 2.125 | 4.00 | 4.25 | 11.00 | 12.50 | 625-11 | 1.25 | 5.25 | 13.44 | 3.00 | .50 | 720 Lbs. |
| G62 | 328ATC | 15.88 | 35.32 | 8.00 | 6.25 | 16.00 | .6562 | 15.94 | 2.125 | 4.00 | 4.25 | 11.00 | 12.50 | 625-11 | 1.25 | 5.25 | 13.44 | 3.00 | .50 | 798 Lbs. |

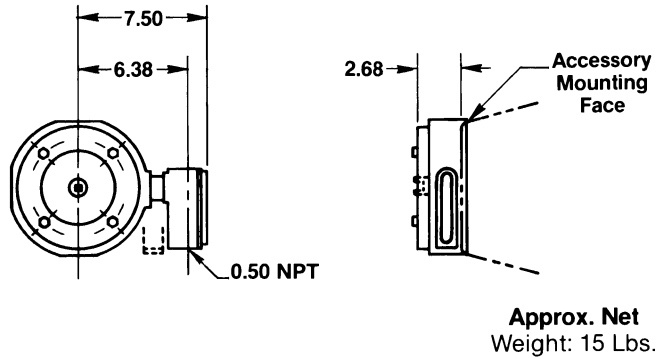
¹ All dimensions in inches. Dimensions and weights are for **estimating** only unless endorsed for construction.

² Represents minimum length of shaft available for hubs.

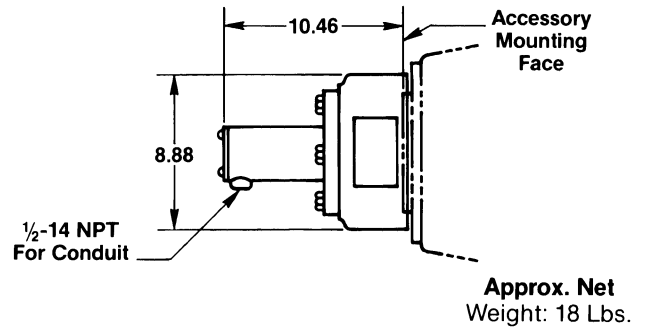
Allen-Bradley Spares

ACCESSORIES ▣

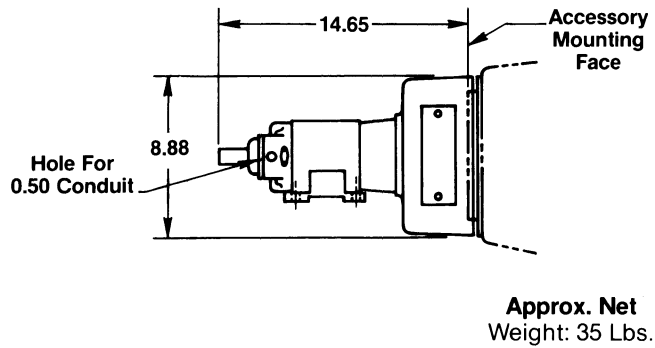
AN STYLE AC TACHOMETER



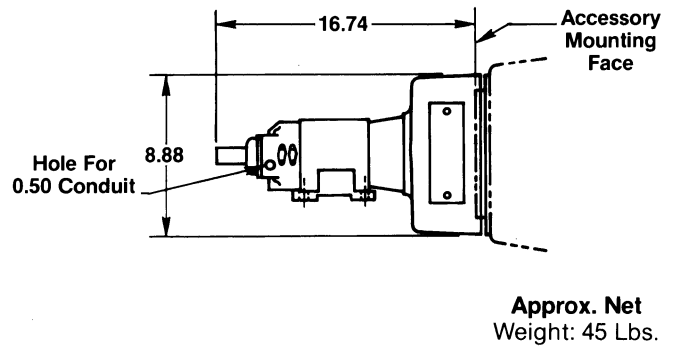
PY STYLE DC TACHOMETER



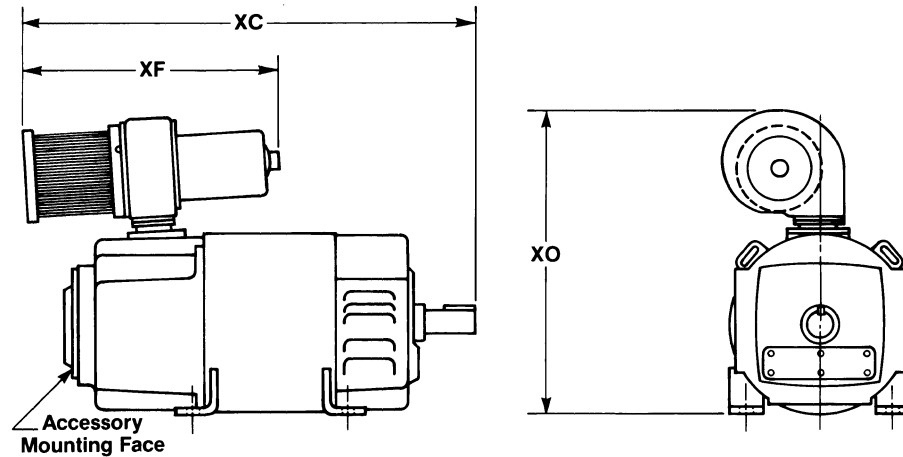
C42 STYLE DC TACHOMETER



C46 STYLE DC TACHOMETER



MOTOR MOUNTED BLOWER WITH FILTER



| Frame | Dimensions 1 | | | Approx. Net Wt. |
|--------|---------------------|-------|-------|-----------------|
| | XC | XF | XO | |
| 218AT | 27.38 | 14.62 | 17.61 | 20 Lbs. |
| 219AT | 28.38 | 14.62 | 17.61 | 20 Lbs. |
| 2110AT | 29.88 | 14.62 | 17.61 | 20 Lbs. |
| 258AT | 30.40 | 14.62 | 19.61 | 20 Lbs. |
| 259AT | 32.02 | 14.62 | 19.61 | 20 Lbs. |
| 287AT | 36.76 | 21.82 | 23.10 | 28 Lbs. |
| 288AT | 38.51 | 21.82 | 23.10 | 28 Lbs. |
| 327AT | 39.48 | 21.82 | 25.10 | 28 Lbs. |
| 328AT | 41.36 | 21.82 | 25.10 | 28 Lbs. |

1 All dimensions are in inches. Dimensions and weights are for **estimating** only unless endorsed for construction.

