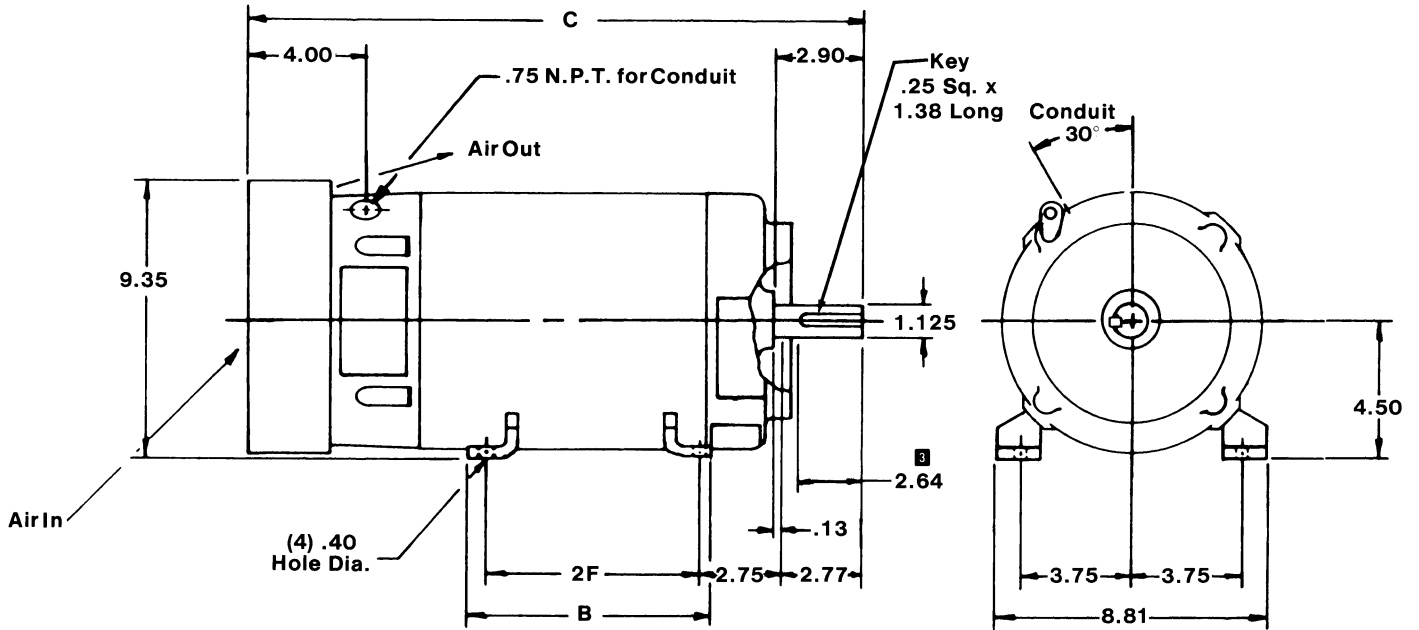




# DC MOTORS <sup>1</sup> <sup>2</sup> TOTALLY ENCLOSED FAN COOLED

## TYPE P



DIMENSION REF. NO.	FRAME	DIMENSIONS <sup>1</sup>			APPROX. NET WT.
		2F	B	C	
P4	L182AT	4.50	5.75	17.00	99 lbs.
P5	L186AT	7.00	8.25	20.50	174 lbs.
P6	1810AT	11.00	12.25	23.38	210 lbs.

- <sup>1</sup> All dimensions in inches. Dimensions and weights are for **estimating** only unless endorsed for construction.
- <sup>2</sup> Tachometer mounting is not available due to endshield construction.
- <sup>3</sup> Represents minimum shaft length available for hubs.

