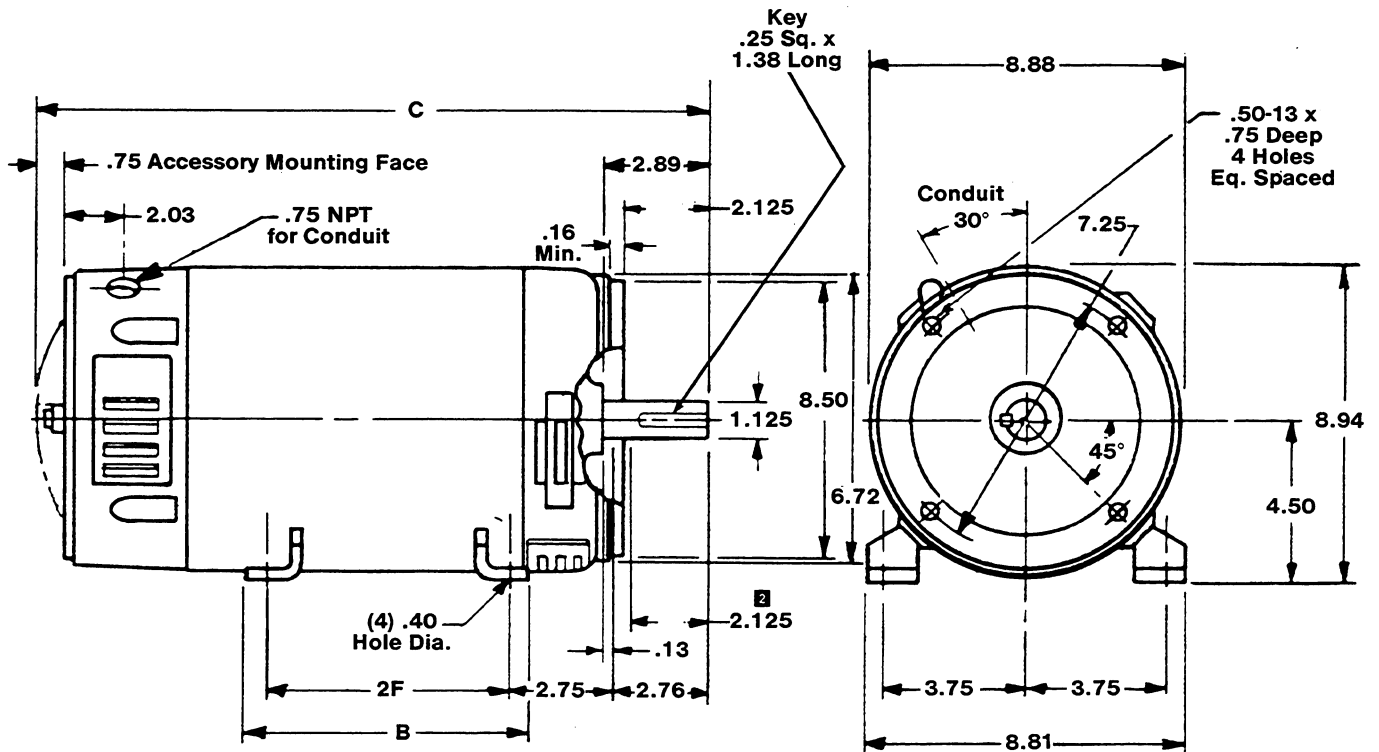




# DC MOTORS<sup>1</sup> NEMA C-FACE DRIP-PROOF FULLY GUARDED, TOTALLY ENCLOSED NON-VENTILATED

## TYPE P



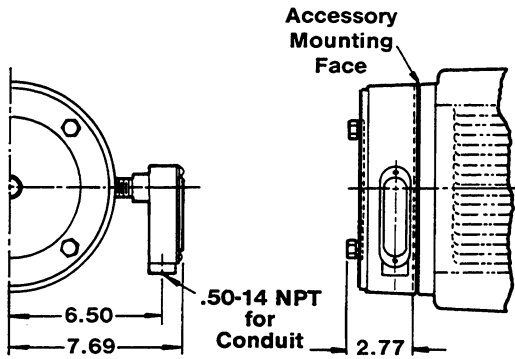
DIMENSION REF. NO.	FRAME	DIMENSIONS <sup>1</sup>			APPROX. NET WT.
		B	C	2F	
P7	L182ATC	5.75	15.82	4.50	89 lbs.
P8	L186ATC	8.25	19.33	7.00	164 lbs.
P9	1810ATC	12.25	22.21	11.00	200 lbs.

<sup>1</sup> All dimensions in inches. Dimensions and weights are for **estimating** only unless endorsed for construction.

<sup>2</sup> Represents minimum shaft length available for hubs.

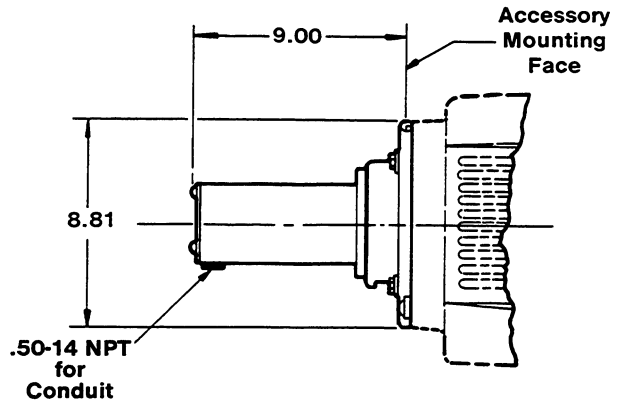
# ACCESSORIES <sup>1</sup>

## AN STYLE AC TACHOMETER



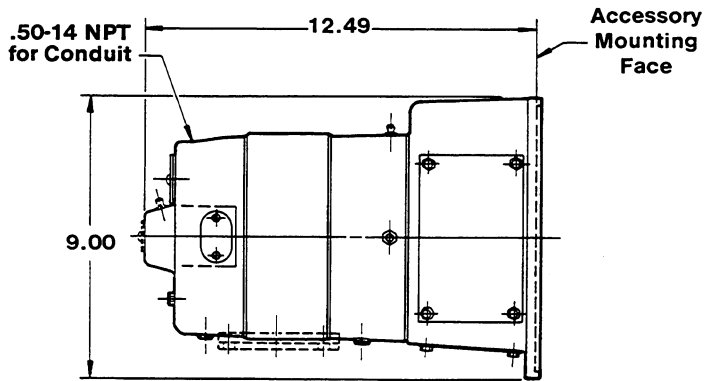
Approx. Net Weight: 15 Lbs.

## PY STYLE DC TACHOMETER



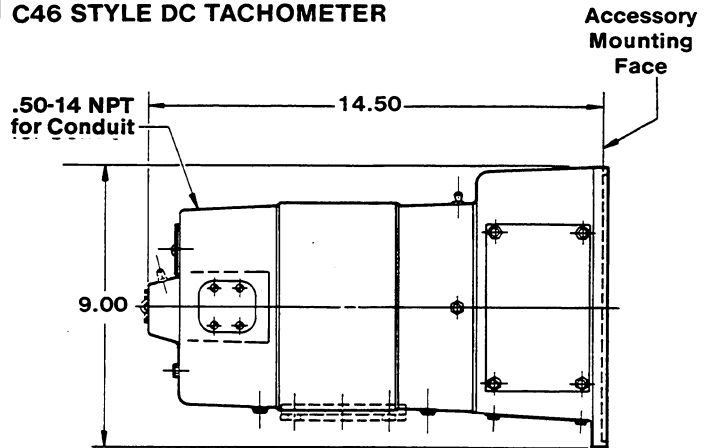
Approx. Net Weight: 18 Lbs.

## C42 STYLE DC TACHOMETER



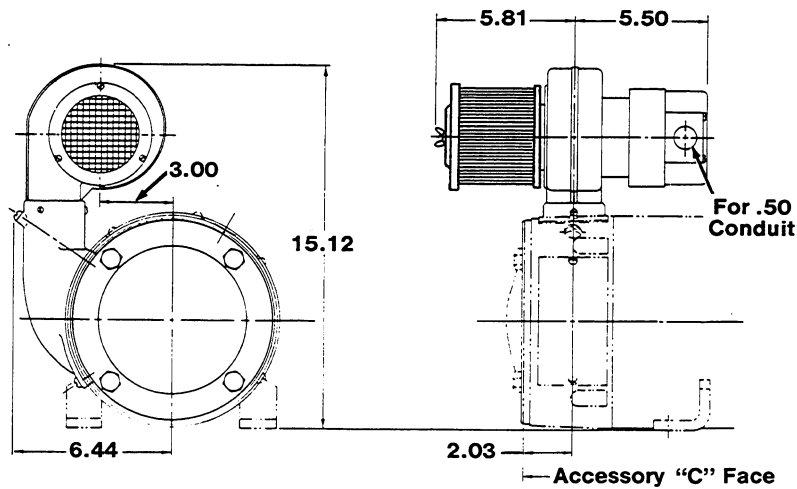
Approx. Net Weight: 35 Lbs.

## C46 STYLE DC TACHOMETER



Approx. Net Weight: 45 Lbs.

## MOTOR MOUNTED BLOWER WITH FILTER



Approx. Net Weight: 14 Lbs.

<sup>1</sup> All dimensions in inches. Dimensions and weights are for estimating only unless endorsed for construction.