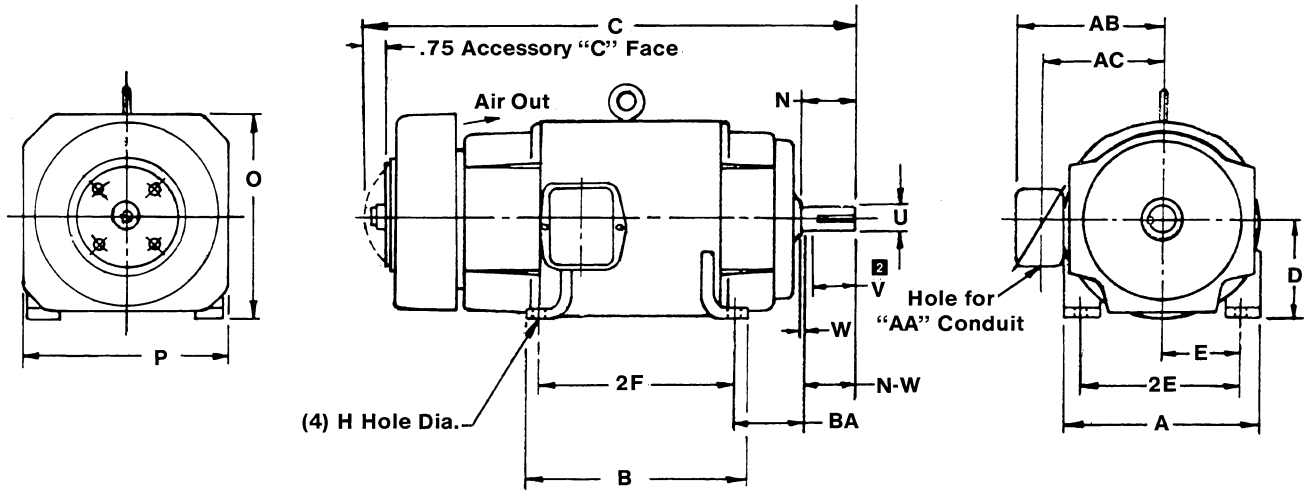




**DC MOTORS <sup>1</sup>  
TOTALLY ENCLOSED FAN COOLED**

**TYPE P**

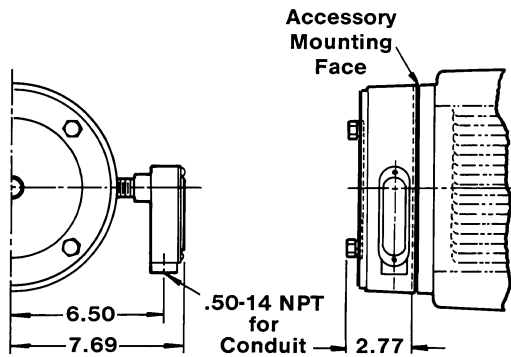


DIMENSION REF. NO.	FRAME	DIMENSIONS <sup>1</sup>																			APPROX. NET WT.
		FOOT MOUNTING				DRIVE SHAFTS					DRIVE KEY		FRAME						TERMINAL BOX		
		BA	E	2F	H	N	N-W	U	V	W	Square	Long	A	B	C	D	O	P	AA	AB	
P30	218AT	3.50	4.25	10.00	.406	3.00	2.75	1.375	2.75	.25	.312	1.75	10.44	11.00	26.30	5.25	10.47	10.44	.75-1	7.91	242 lbs.
P31	219AT	3.50	4.25	11.00	.406	3.00	2.75	1.375	2.75	.25	.312	1.75	10.44	12.00	27.30	5.25	10.47	10.44	.75-1	7.91	260 lbs.
P32	2110AT	3.50	4.25	12.50	.406	3.00	2.75	1.375	2.75	.25	.312	1.75	10.44	13.50	28.80	5.25	10.47	10.44	.75-1	7.91	286 lbs.
P33	258AT	4.25	5.00	12.50	.531	3.44	3.25	1.625	3.25	.19	.375	2.31	12.44	14.06	30.19	6.25	12.47	12.44	1.25	9.28	366 lbs.
P34	259AT	4.25	5.00	14.00	.531	3.44	3.25	1.625	3.25	.19	.375	2.31	12.44	15.56	31.69	6.25	12.47	12.44	1.25	9.28	411 lbs.
P35	287AT	4.75	5.50	12.50	.531	3.91	3.75	1.875	3.75	.16	.500	2.50	13.88	14.16	34.09	7.00	13.92	13.84	1.25	12.00	506 lbs.
P36	288AT	4.75	5.50	14.00	.531	3.91	3.75	1.875	3.75	.16	.500	2.50	13.88	15.66	35.84	7.00	13.92	13.84	1.25	12.00	566 lbs.
P37	327AT	5.25	6.25	14.00	.656	4.40	4.25	2.125	4.25	.15	.500	3.12	15.88	15.78	37.06	8.00	15.94	15.88	2	13.00	700 lbs.
P38	328AT	5.25	6.25	16.00	.656	4.40	4.25	2.125	4.25	.15	.500	3.12	15.88	17.78	38.94	8.00	15.94	15.88	2	13.00	775 lbs.
P39	329AT	5.25	6.25	18.00	.656	4.40	4.25	2.125	4.25	.15	.500	3.12	15.88	19.78	40.94	8.00	15.94	15.88	2	13.00	884 lbs.
P40	365AT	5.88	7.00	12.25	.813	4.94	4.75	2.375	4.75	.19	.625	3.50	17.81	13.75	37.91	9.00	17.95	17.91	2.5	13.99	840 lbs.
P41	366AT	5.88	7.00	14.00	.813	4.94	4.75	2.375	4.75	.19	.625	3.50	17.81	15.50	40.10	9.00	17.95	17.91	2.5	13.99	930 lbs.
P42	368AT	5.88	7.00	18.00	.813	4.94	4.75	2.375	4.75	.19	.625	3.50	17.81	19.50	43.10	9.00	17.95	17.91	2.5	13.99	1070 lbs.
P43	407AT	6.63	8.00	18.00	.938	5.44	5.25	2.625	5.25	.19	.625	4.00	20.00	20.00	44.70	10.00	20.19	20.38	3	18.85	1200 lbs.
P44	409AT	6.63	8.00	22.00	.938	5.44	5.25	2.625	5.25	.19	.625	4.00	20.00	24.00	49.20	10.00	20.19	20.38	3	18.85	1690 lbs.

<sup>1</sup> All dimensions in inches. Dimensions and weights are for estimating only unless endorsed for construction.  
<sup>2</sup> Represents minimum shaft length available for hubs.

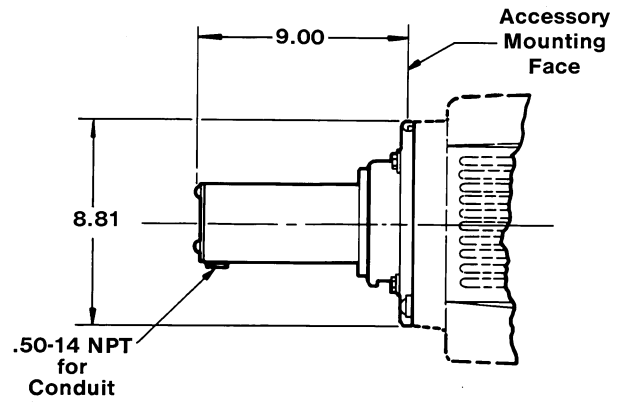
# ACCESSORIES ▣

## AN STYLE AC TACHOMETER



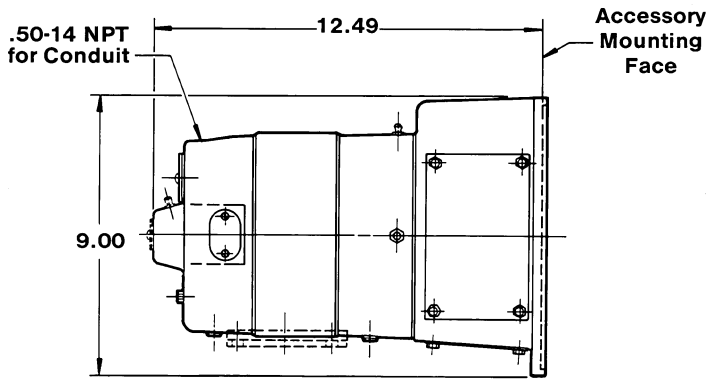
Approx. Net  
Weight: 15 Lbs.

## PY STYLE DC TACHOMETER



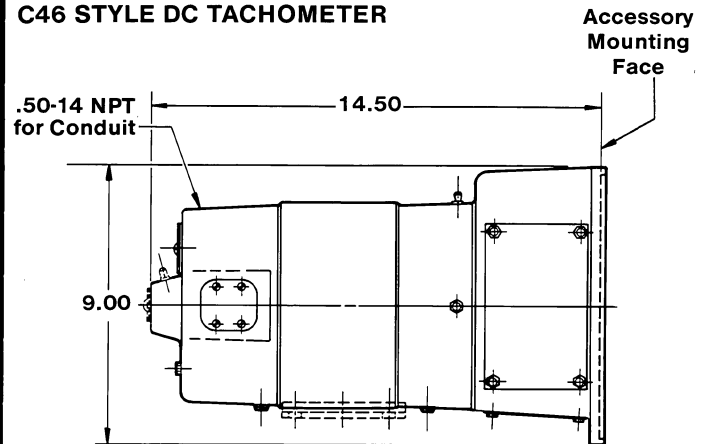
Approx. Net  
Weight: 18 Lbs.

## C42 STYLE DC TACHOMETER



Approx. Net  
Weight: 35 Lbs.

## C46 STYLE DC TACHOMETER



Approx. Net  
Weight: 45 Lbs.

1 All dimensions in inches. Dimensions and weights are for **estimating** only unless endorsed for construction.



**ALLEN-BRADLEY**

Cedarburg, Wisconsin 53012-0005

