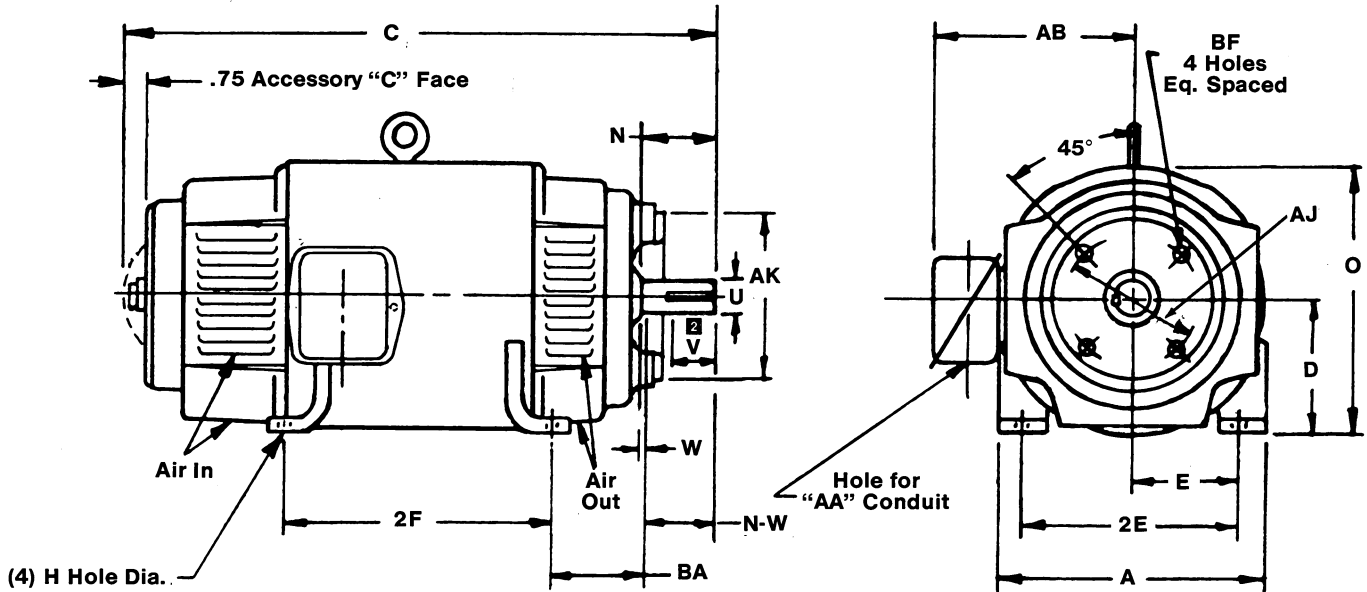




**DC MOTORS¹ NEMA C-FACE
DRIP-PROOF FULLY GUARDED, TOTALLY ENCLOSED
NON-VENTILATED, AND SPLASH-PROOF**

TYPE P



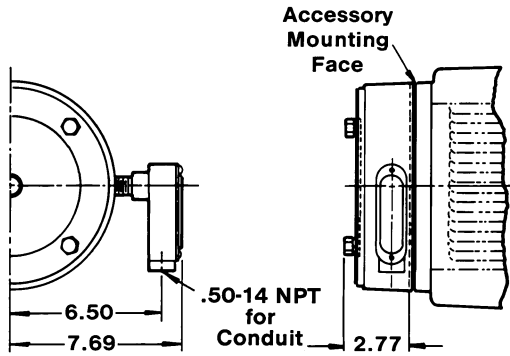
DIM. REF. NO.	FRAME	DIMENSIONS ¹																				APPROX. NET WT.	
		FOOT MOUNTING				DRIVE SHAFTS								DRIVE KEY		FRAME				TERMINAL BOX			
		BA	E	2F	H	AJ	AK	BF		N	N-W	U	V	W	Sq.	Long	A	C	D	O	AA		AB
P45	218ATC	3.50	4.25	10.00	.406	7.25	8.50	.5-13	1.00	3.00	2.75	1.375	2.50	.25	.312	1.75	10.44	24.25	5.25	10.47	.75-1	7.91	245 lbs.
P46	219ATC	3.50	4.25	11.00	.406	7.25	8.50	.5-13	1.00	3.00	2.75	1.375	2.50	.25	.312	1.75	10.44	25.25	5.25	10.47	.75-1	7.91	263 lbs.
P47	2110ATC	3.50	4.25	12.50	.406	7.25	8.50	.5-13	1.00	3.00	2.75	1.375	2.50	.25	.312	1.75	10.44	26.75	5.25	10.47	.75-1	7.91	291 lbs.
P48	258ATC	4.25	5.00	12.50	.531	7.25	8.50	.5-13	1.00	3.44	3.25	1.625	3.00	.19	.375	2.31	12.44	27.26	6.25	12.47	1.25	9.28	400 lbs.
P49	259ATC	4.25	5.00	14.00	.531	7.25	8.50	.5-13	1.00	3.44	3.25	1.625	3.00	.19	.375	2.31	12.44	28.76	6.25	12.47	1.25	9.28	422 lbs.
P50	287ATC	4.75	5.50	12.50	.531	9.00	10.50	.5-13	1.00	3.91	3.75	1.875	3.50	.16	.500	2.50	13.88	31.03	7.00	13.92	1.25	12.00	524 lbs.
P51	288ATC	4.75	5.50	14.00	.531	9.00	10.50	.5-13	1.00	3.91	3.75	1.875	3.50	.16	.500	2.50	13.88	32.78	7.00	13.92	1.25	12.00	579 lbs.
P52	327ATC	5.25	6.25	14.00	.656	11.00	12.50	.625-11	1.06	4.40	4.25	2.125	4.00	.15	.500	3.12	15.88	33.50	8.00	15.94	2	13.00	722 lbs.
P53	328ATC	5.25	6.25	16.00	.656	11.00	12.50	.625-11	1.06	4.40	4.25	2.125	4.00	.15	.500	3.12	15.88	35.38	8.00	15.94	2	13.00	800 lbs.
P54	329ATC	5.25	6.25	18.00	.656	11.00	12.50	.625-11	1.06	4.40	4.25	2.125	4.00	.15	.500	3.12	15.88	37.38	8.00	15.94	2	13.00	904 lbs.

¹ All dimensions in inches. Dimensions and weights are for estimating only unless endorsed for construction.
² Represents minimum shaft length available for hubs.

AB Spares

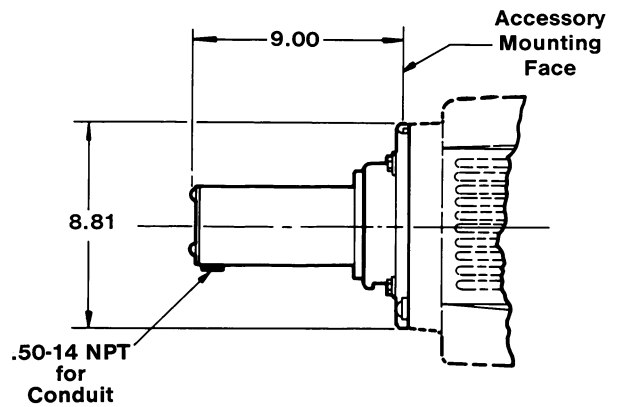
ACCESSORIES ▣

AN STYLE AC TACHOMETER



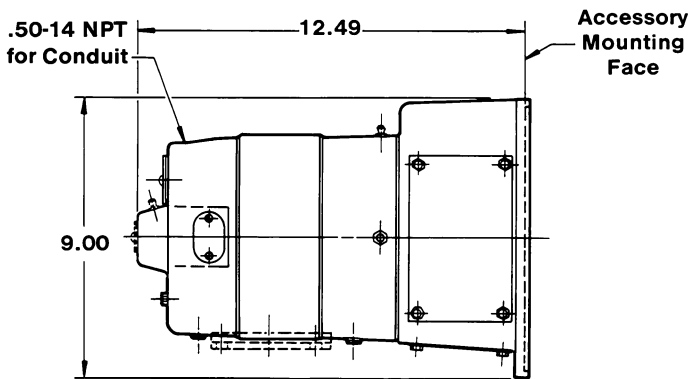
Approx. Net
Weight: 15 Lbs.

PY STYLE DC TACHOMETER



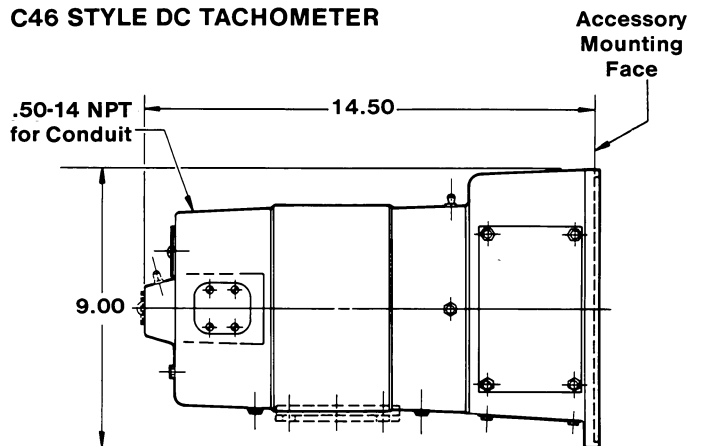
Approx. Net
Weight: 18 Lbs.

C42 STYLE DC TACHOMETER



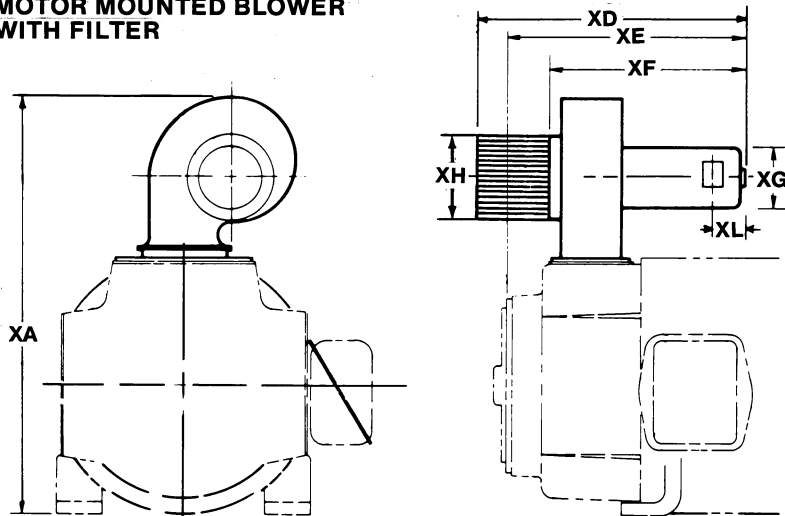
Approx. Net
Weight: 35 Lbs.

C46 STYLE DC TACHOMETER



Approx. Net
Weight: 45 Lbs.

MOTOR MOUNTED BLOWER WITH FILTER



FRAME	DIMENSIONS ▣							APPROX. NET WT.
	XA	XD	XE	XF	XG	XH	XL	
210ATC	17.6	16.9	13.3	11.7	5.2	4.6	3.0	14 lbs.
250ATC	19.8	16.9	13.2	11.7	5.2	4.6	3.0	14 lbs.
280ATC	23.2	22.6	17.0	14.9	6.1	8.2	3.4	24.5 lbs.
320ATC	27.2	25.9	17.4	16.0	7.2	10.4	3.7	38 lbs.
360ATC	28.2	25.9	18.7	16.0	7.2	10.4	3.7	38 lbs.
400ATC	29.7	25.9	19.2	16.0	7.2	10.4	3.7	38 lbs.
500ATC	37.9	33.0	26.9	23.6	7.2	10.5	3.7	45 lbs.

▣ All dimensions in inches. Dimensions and weights are for estimating only unless endorsed for construction.