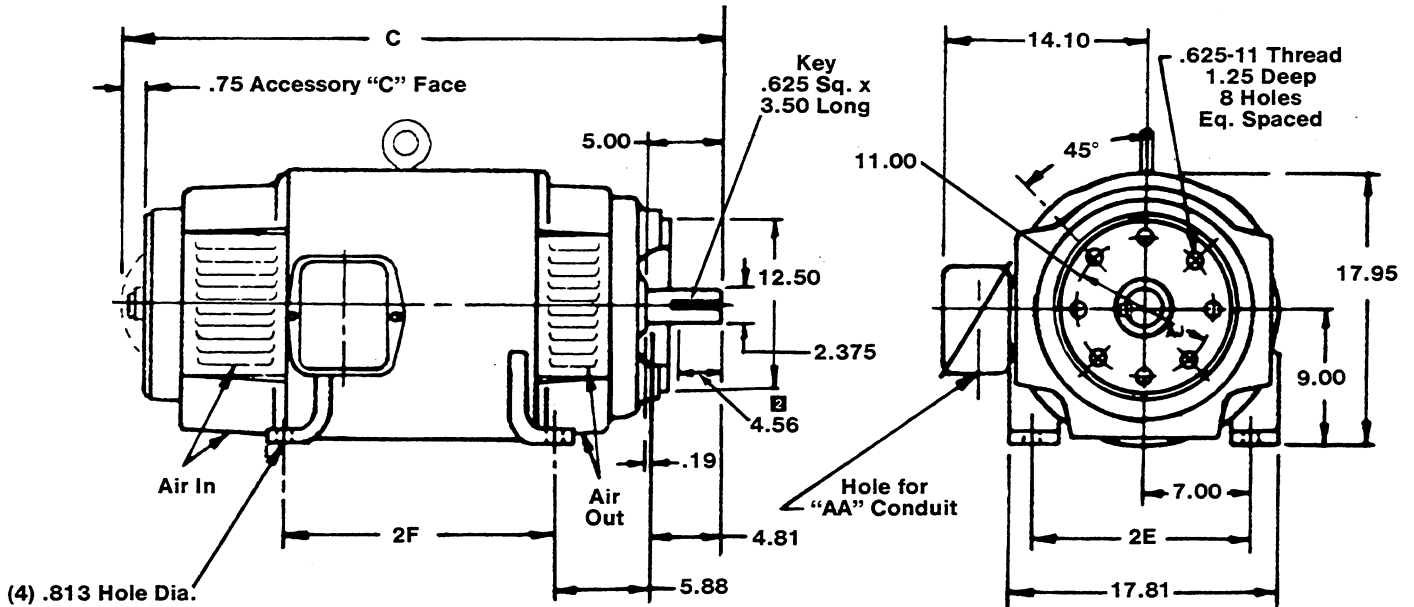




**DC MOTORS<sup>®</sup> NEMA C-FACE  
DRIP-PROOF FULLY GUARDED, TOTALLY ENCLOSED  
NON-VENTILATED, AND SPLASH-PROOF**

**TYPE P**

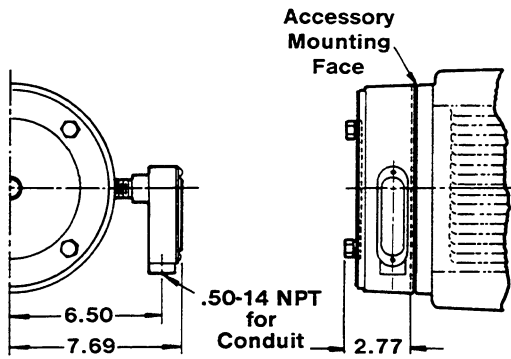


DIMENSION REF. NO.	FRAME	DIMENSIONS <sup>1</sup>			APPROX. NET WT.
		B	C	2F	
P55	365ATC	13.75	33.69	12.25	765 lbs.
P56	366ATC	15.50	35.88	14.00	875 lbs.
P57	368ATC	19.50	38.88	18.00	1035 lbs.

<sup>1</sup> All dimensions in inches. Dimensions and weights are for **estimating** only unless endorsed for construction.  
<sup>2</sup> Represents minimum shaft length available for hubs.

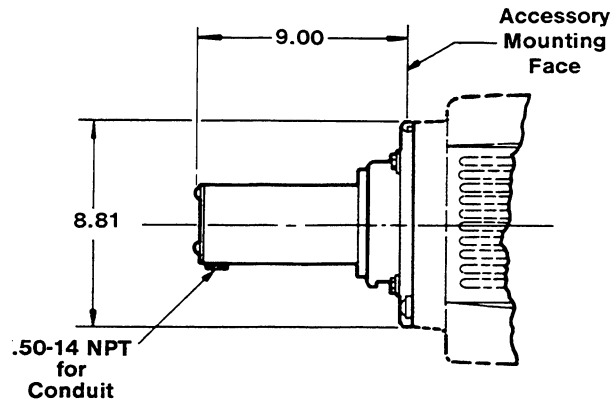
# ACCESSORIES <sup>1</sup>

## AN STYLE AC TACHOMETER



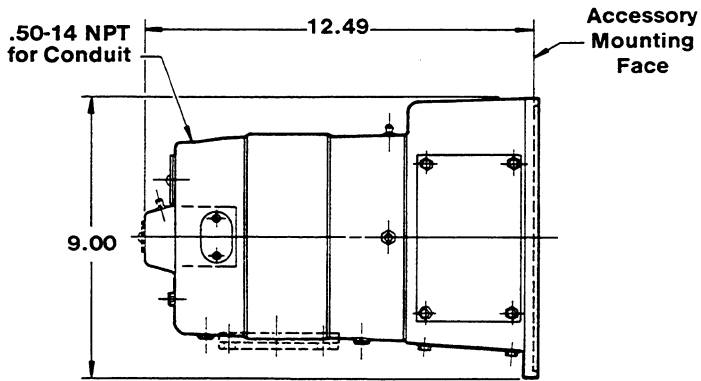
Approx. Net Weight: 15 Lbs.

## PY STYLE DC TACHOMETER



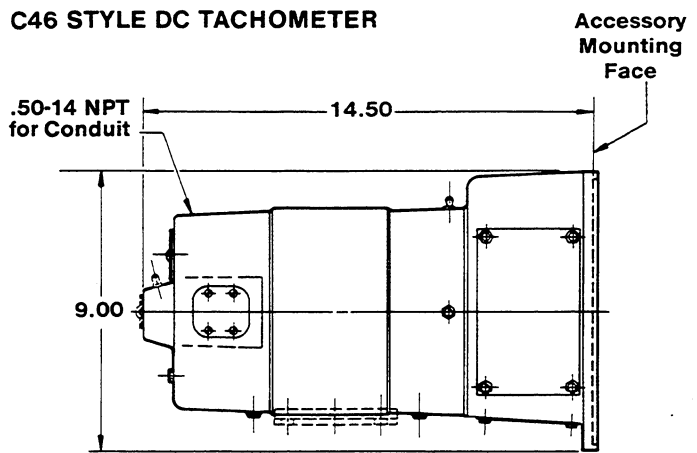
Approx. Net Weight: 18 Lbs.

## C42 STYLE DC TACHOMETER



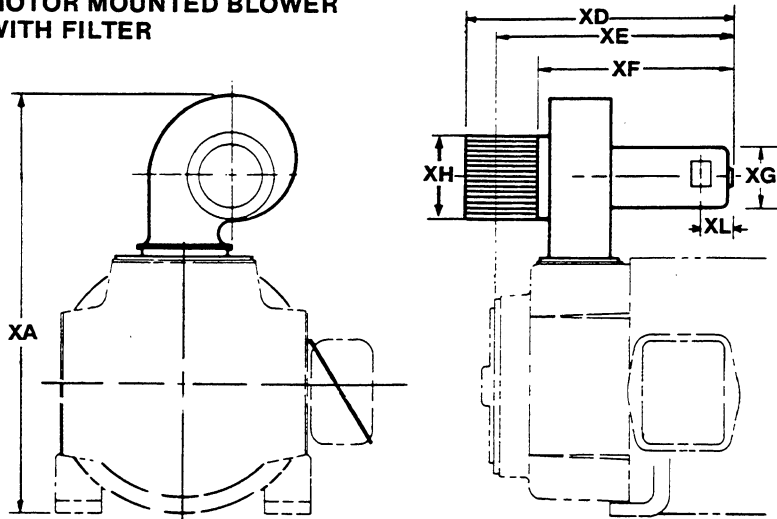
Approx. Net Weight: 35 Lbs.

## C46 STYLE DC TACHOMETER



Approx. Net Weight: 45 Lbs.

## MOTOR MOUNTED BLOWER WITH FILTER



FRAME	DIMENSIONS <sup>1</sup>							APPROX. NET WT.
	XA	XD	XE	XF	XG	XH	XL	
210ATC	17.6	16.9	13.3	11.7	5.2	4.6	3.0	14 lbs.
250ATC	19.8	16.9	13.2	11.7	5.2	4.6	3.0	14 lbs.
280ATC	23.2	22.6	17.0	14.9	6.1	8.2	3.4	24.5 lbs.
320ATC	27.2	25.9	17.4	16.0	7.2	10.4	3.7	38 lbs.
360ATC	28.2	25.9	18.7	16.0	7.2	10.4	3.7	38 lbs.
400ATC	29.7	25.9	19.2	16.0	7.2	10.4	3.7	38 lbs.
500ATC	37.9	33.0	26.9	23.6	7.2	10.5	3.7	45 lbs.

<sup>1</sup> All dimensions in inches. Dimensions and weights are for estimating only unless endorsed for construction.