



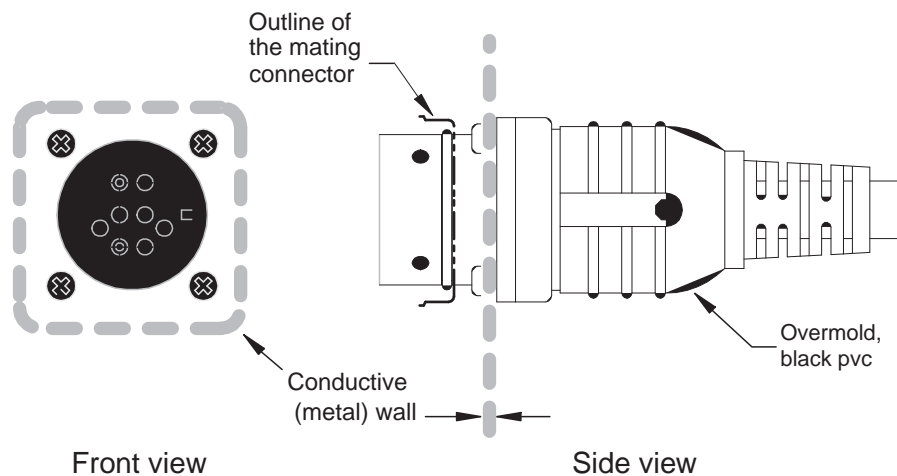
Bulkhead Connection for Series B 1326 Cables

This document contains information for using cables with bulkhead connectors that provide a quick disconnect. The bulkhead connectors are integral to the following 1326 cables:

- 1326-CCU-E-xxx and -EL-xxx
- 1326-CCUT-E-xxx, -EE-xxx, and -EL-xxx
- 1326-CPB1-E-xxx and -EL-xxx
- 1326-CPBIT-E-xxx, -EE-xxx, and -EL-xxx
- 1326-CPC1-E-xxx and -EL-xxx
- 1326-CPCIT-E-xxx, -EE-xxx, and -EL-xxx

Overview of the Bulkhead Connector Assembly

The graphic below shows the side view of the bulkhead connector attached by screws and protruding through the flange and a conductive wall (e.g., a metal cabinet). The front view shows the pins of the attached bulkhead connector protruding through the wall.



Determining the Tools You Need

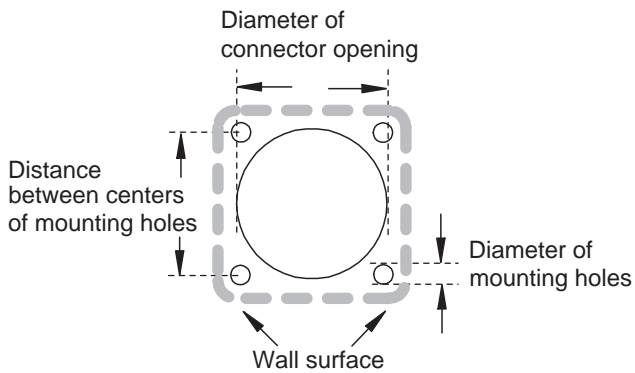
You need the following to install the components of the bulkhead connection:

- Phillips screwdriver
- Drill

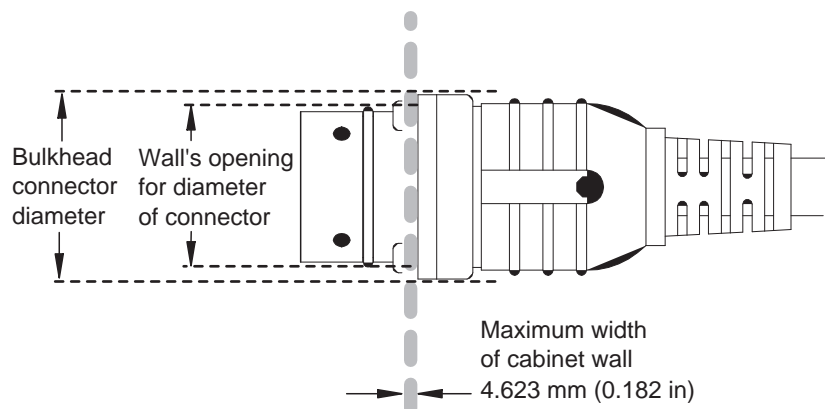
Mounting Dimensions

Use the information in the table to drill the five mounting holes:

1326 Cable	Screw description	Diameter of mounting holes mm (in)	Distance between centers of mounting holes mm (in)	Diameter of connector mm (in)	Diameter of connector opening mm (in)
1326-CCU-E-xxx 1326-CCUT-E-xxx 1326-CCUT-EE-xxx 1326-CCU-EL-xxx 1326-CCUT-EL-xxx	4/40 3/8in	3.353 (0.132)	26.975 (1.062)	28.575 (1.125)	30.163 (1.188)
1326-CPB1-E-xxx 1326-CPB1T-E-xxx 1326-CPB1T-EE-xxx 1326-CPB1-EL-xxx 1326-CPB1T-EL-xxx	4/40 3/8in	3.353 (0.132)	31.75 (1.25)	34.925 (1.375)	36.513 (1.438)
1326-CPC1-E-xxx 1326-CPC1T-E-xxx 1326-CPC1T-EE-xxx 1326-CPC1-EL-xxx 1326-CPC1T-EL-xxx	6/32 3/8in	3.810 (0.150)	39.675 (1.562)	43.637 (1.718)	45.225 (1.781)



Note: You do not need to attach the bulkhead cables to a cabinet wall, but you do need to follow the information in *Guidelines for Connecting Bulkhead and Double-Ended Cables*.

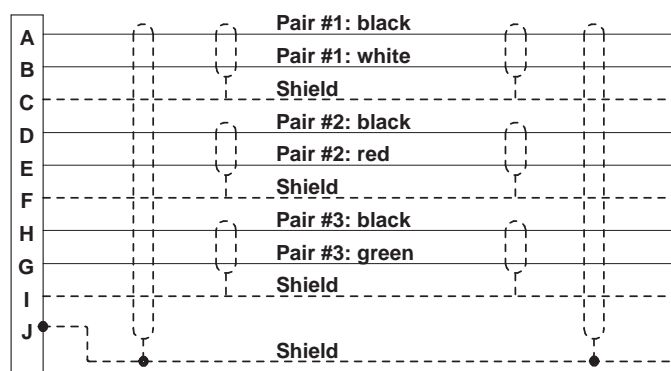


1326-CCU-xxx and 1326-CCUT-xxx Wiring Information

The following table shows the wiring information for the 1326-CCU-E-xxx, 1326-CCUT-E-xxx, and 1326-CCUT-EE-xxx motor feedback cables:

Wire color or type	Gauge mm ² (AWG)	Connector pin	System module terminal number
Black (Axis_0_R1)	0.518 (20)	A	1
White (Axis_0_R2)	0.518 (20)	B	6
Shield	0.518 (20)	C	2
Black (Axis_0_S1)	0.518 (20)	D	3
Red (Axis_0_S3)	0.518 (20)	E	8
Shield	0.518 (20)	F	7
Black (Axis_0_S4)	0.518 (20)	H	9
Green (Axis_0_S2)	0.518 (20)	G	4
Shield	0.518 (20)	I	5
Overall Shield	N/A	J	10

Use this wiring diagram for 1326-CCU-xxx and 1326-CCUT-xxx cables:



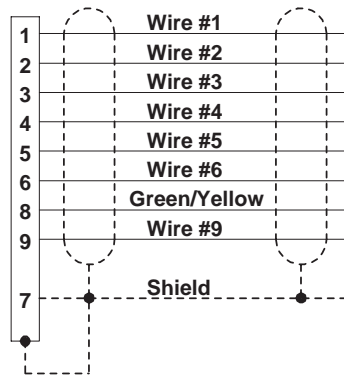
1326-CPB1-xxx and 1326-CPB1T-xxx Wiring Information

The following table shows the wiring information for the 1326-CPB1-E-xxx, 1326-CPB1T-E-xxx, and 1326-CPB1T-EE-xxx motor power cables:

Wire number	Wire color or type	Gauge mm ² (AWG)	Connector pin	1394 terminal
1 (Power)	Black	1.29 (16)	1	U1
2 (Power)	Black	1.29 (16)	2	V1
3 (Power)	Black	1.29 (16)	3	W1
4 (Brake)	Black	1.29 (16)	4	TB1-3
5 (Thermostat)	Black	1.29 (16)	5	TB1-2
6 (Brake)	Black	1.29 (16)	6	TB1-4
Overall shield	Shield	1.29 (16)	7	PE3
8 (GND)	Green/yellow	1.29 (16)	8	PE2
9 (Thermostat)	Black	1.29 (16)	9	TB1-1
Overall shield	Braid	N/A	connected to shell	Ground Stud

Allen-Bradley Spares

Use this wiring diagram for 1326-CPB1-*xxx* and 1326-CPB1T-*xxx* cables:

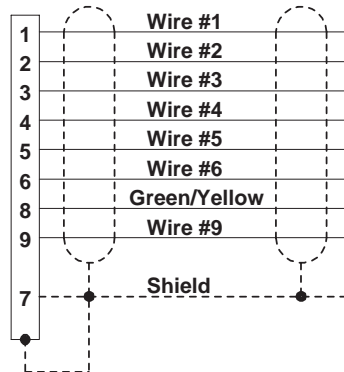


1326-CPC1-*xxx* and 1326-CPC1T-*xxx* Wiring Information

The following table shows the wiring information for the 1326-CPC1-E-*xxx*, 1326-CP1T-E-*xxx*, and 1326-CP1T-EE-*xxx* motor power cables:

Wire number	Wire color or type	Gauge mm ² (AWG)	Connector pin	1394 terminal
1 (Power)	Black	2.59 (10)	1	U1
2 (Power)	Black	2.59 (10)	2	V1
3 (Power)	Black	2.59 (10)	3	W1
4 (Brake)	Black	1.29 (16)	4	TB1-3
5 (Thermostat)	Black	1.29 (16)	5	TB1-2
6 (Brake)	Black	1.29 (16)	6	TB1-4
Overall shield	Shield	2.05 (12)	7	PE3
8 (GND)	Green/yellow	2.05 (12)	8	PE2
9 (Thermostat)	Black	1.29 (16)	9	TB1-1
Overall shield	Braid	N/A	connected to shell	Ground Stud

Use this wiring diagram for 1326-CPC1-*xxx* and 1326-CPC1T-*xxx* cables:

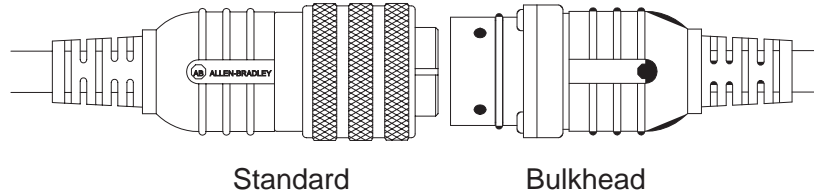


Double-Ended Bulkhead Connectors

The 1326-xxx-D-xxx and the 1326-xxx-EE-xxx connectors have male pins on one end and female pins on the other end.

Guidelines for Connecting Bulkhead and Double-Ended Cables

The guidelines for connecting bulkhead and standard cables are:



- A standard connector can only connect to a bulkhead connector or a 460V-1326Ax motor, and a bulkhead connector can only connect to a standard connector.
- When connecting a bulkhead to a standard connector, one connector must have male pins and the other must have female pins.
- Though cables designated with the L option can be connected to cables or motors without this option, the resulting connection will not have the L option.
- The length of a cable run cannot exceed 90 meters.

Installing Your Connector Through a Cabinet Wall

To prepare a cabinet wall for mounting the bulkhead connector:

1. Locate the area of the cabinet wall where you will mount the bulkhead connector.



ATTENTION: To avoid a shock hazard, remove power to the motor controller and motor before installing or removing cables. Failure to do this can cause personal injury.

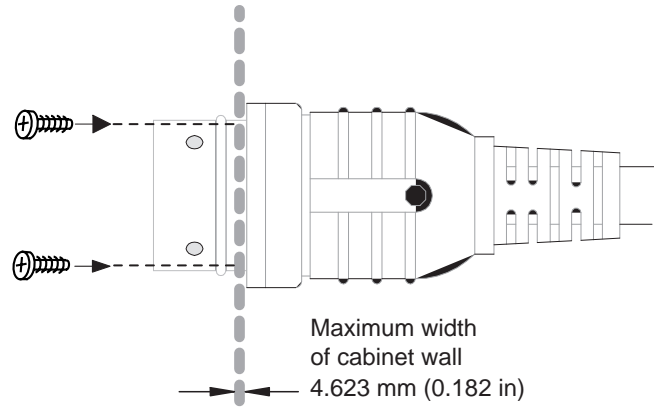
2. Mark the places where the four mounting holes and the center connector opening will be located.
3. Drill the four mounting holes and the large center opening.
4. Scrape any paint from the inside surface of the cabinet wall where the bulkhead flange of the 1326-CPB1-E-xxx, 1326-CPB1T-E-xxx, 1326-CPC1-E-xxx, or 1326-CPC1T-E-xxx cables will make contact.

Important: A metal-to-metal connection is required to meet CE Compliance standards.

Note: All series B cable connectors are treated with a black, highly-conductive, cobalt coating. Do not scrape this coating.

Allen-Bradley Spares

5. Remove the viton seal from the face of the connector for 1326-CCU-EL-xxx, 1326-CPB1-EL-xxx, and 1326-CPC1-EL-xxx cables to provide clearance for the cabinet wall. The connection at the cabinet wall will be IP65.
6. Attach the bulkhead connector through the wall, as shown:



Allen-Bradley Spares



Rockwell Automation helps its customers receive a superior return on their investment by bringing together leading brands in industrial automation, creating a broad spectrum of easy-to-integrate products. These are supported by local technical resources available worldwide, a global network of system solutions providers, and the advanced technology resources of Rockwell.

Worldwide representation.



Argentina • Australia • Austria • Bahrain • Belgium • Bolivia • Brazil • Bulgaria • Canada • Chile • China, People's Republic of • Colombia • Costa Rica • Croatia • Cyprus • Czech Republic • Denmark • Dominican Republic • Ecuador • Egypt • El Salvador • Finland • France • Germany • Ghana • Greece • Guatemala • Honduras • Hong Kong • Hungary • Iceland • India • Indonesia • Iran • Ireland • Israel • Italy • Jamaica • Japan • Jordan • Korea • Kuwait • Lebanon • Macau • Malaysia • Malta • Mexico • Morocco • The Netherlands • New Zealand • Nigeria • Norway • Oman • Pakistan • Panama • Peru • Philippines • Poland • Portugal • Puerto Rico • Qatar • Romania • Russia • Saudi Arabia • Singapore • Slovakia • Slovenia • South Africa, Republic of • Spain • Sweden • Switzerland • Taiwan • Thailand • Trinidad • Tunisia • Turkey • United Arab Emirates • United Kingdom • United States • Uruguay • Venezuela

Rockwell Automation Headquarters, 1201 South Second Street, Milwaukee, WI 53204 USA, Tel: (1) 414 382-2000, Fax: (1) 414 382-4444

Rockwell Automation European Headquarters SA/MV, avenue Hermann Debrouxlaan, 46, 1160 Brussels, Belgium, Tel: (32) 2 663 06 00, Fax: (32) 2 663 06 40

Rockwell Automation Asia Pacific Headquarters, 27/F Citicorp Centre, 18 Whitfield Road, Causeway Bay, Hong Kong, Tel: (852) 2887 4788, Fax: (852) 2508 1846