



1326AH Hazardous Duty Motors

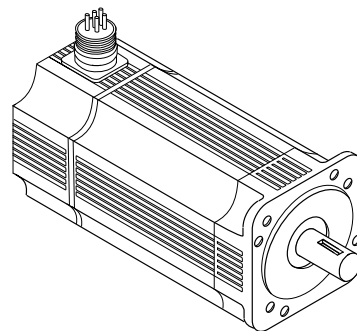
Price Sheet

This publication contains pricing information for the 1326AH Hazardous Duty Motors. Within this publication, you will find:

- A description of the 1326AH Hazardous Duty Motors
- Standard features of the motors
- A description of the classifications for the motors
- A table to help you determine the motor catalog numbers
- Pricing table for the 1326AH Hazardous Duty Motors (discount schedule D)
- Pricing table for recommended cables (discount schedule D) for use with the 1326AH Hazardous Duty Motors
- Accessories available to use with the 1326AH Hazardous Duty Motors

1326AB Motors

This family of hazardous duty motors are UL recognized AC Brushless Servo Motors. Construction of the motor is a totally enclosed non-ventilated (TENV) square frame design utilizing a permanent magnet rotor and a fixed stator winding. Rare earth magnets, long life ball bearings, and brushless construction also assures maximum performance. Motor sizes include 3.38 in. (85.9 mm), 4.30 in. (109.2 mm), and 6 in. (152.4 mm).



Standard Features of the 1326AH Motors

The 1326AH motors are UL Listed and CUL. In addition, they offer:

- Trouble-free brushless construction
- Rare earth magnets for maximum torque to inertia ratios
- High torque over a wide speed range
- Permanently lubricated and double shielded ball bearings
- Over temperature limit sensor in each phase of motor windings
- DIN-N 42955 normal runout tolerances

Hazardous Location Classifications

These motors are designed for use in high-performance industrial automation applications where vapors or gases, from flammable or explosive environments, can be ignited by spark or flame. These applications include:

- paint spray equipment
- axis and spindle drives
- packaging machinery
- material handling systems
- assembly equipment

These motors conform to UL specification number 674 (National Electric Code Section number 500), Class 1, Division 1 and 2, Groups C and D, for hazardous locations based on the atmosphere in which the motor operates. European compliance is to CENELEC specification EN 50014 and EN 50018. The motor rating is CENELEC standard EEx d IIB T3.

Class 1, Division 1, Group C atmospheres include acetaldehyde, allyl alcohol, nbutylaldehyde, carbon monoxide, crotonaldehyde, cyclopropane, diethyl ether, diethylamine, epichlorohydrin, ethylene, ethylenimine, ethyl mercaptan, ethyl sulfide, hydrogen cyanide, hydrogen sulfide, morpholine, 2-nitropropane, tetrahydrofuran, unsymmetrical dimethyl hydrazine (UDMH 1, 1-dimethyl hydrazine).

Class 1, Division 1, Group D atmospheres include acetic acid (glacial), acetone, acrylonitrile, ammonia, benzene, butane, 1-butanol (butyl alcohol), 2-butanol (secondary butyl alcohol), n-butyl acetate, isobutyl acetate, di-isobutylene, ethane, ethanol (ethyl alcohol), ethyl acetate, ethyl acrylate (inhibited), ethylene diamine (anhydrous), ethylene dichloride, ethylene glycol monomethyl ether, gasoline, heptanes, hexanes, isoprene, isopropyl ether, mesityl oxide, methane(natural gas), methanol (methyl alcohol), 3-methyl-1 butanol (isoamyl alcohol), methyl ethyl ketone, methyl isobutyl ketone, 2-methyl-1-propanol (isobutyl alcohol), 2-methyl-2-propanol (tertiary butyl alcohol), petroleum naphtha (2), pyridine, octanes, pentanes, 1-pentanol (amyl alcohol), propane, 1-propanol (propyl alcohol), 2-propanol (isopropyl alcohol), propylene, styrene, toluene, vinyl acetate, vinyl chloride, and xylenes.

Catalog Number Information

Combine the following characters to create the catalog numbers for the hazardous duty motors.

Bulletin Number	Voltage	Bolt Circle and Frame Size	Number of Magnet Stacks	Motor Speed	Frontbell	Brake	Brake Size
1326AH -	<input type="text"/>	<input type="text"/>	<input type="text"/>	<input type="text"/>	- <input type="text"/>	- <input type="text"/>	<input type="text"/>
B = 480/360 Volts		3 = 100 mm (3.93 in.) bolt circle, 85.9 mm (3.38 in.) maximum flange 4 = 115 mm (4.52 in.) bolt circle, 109.2 mm (4.29 in.) maximum flange 5 = 165 mm (6.49 in.) bolt circle, 152.4 mm (5.99 in.) maximum flange		30 = 3.0 Magnets 40 = 4.0 Magnets		E = 3,000 rpm F = 4,000 rpm	
21 = IEC Metric		Blank = Without brake K = With Brake		Blank = Without brake 3 = Brake for motor with 100 mm (3.93 in.) bolt circle 4 = Brake for motor with 115 mm (4.52 in.) bolt circle 5 = Brake for motor with 165 mm (6.49 in.) bolt circle			

Motor Pricing

Use discount schedule D29 and the table below to determine motor prices.

Catalog Number:	Motor Description:	List Price:
1326AH-B330F-21	460V, 2.9 N-m (25.66 lb-in.), 3500 rpm, no brake	\$2,370
1326AH-B330F-21-K3	460V, 2.9 N-m (25.66 lb-in.), 3500 rpm, with brake	2,890
1326AH-B440E-21	460V, 6.1 N-m (53.98 lb-in.), 2900 rpm, no brake	2,800
1326AH-B440E-21-K4	460V, 6.1 N-m (53.98 lb-in.), 2900 rpm, with brake	3,320
1326AH-B540F-21	460V, 17 N-m (150.46 lb-in.), 3600 rpm, no brake	3,900
1326AH-B540F-21-K5	460V, 17 N-m (150.46 lb-in.), 3600 rpm, with brake	4,500

Allen-Bradley PLCs

Bulk Cable Pricing

Use discount schedule D29 and the table below to determine bulk cable prices.

Catalog Number:	Bulk Cable Description:	List Price:
1326-CB-CCU-050	motor feedback, 50 m (160 ft), used with all 1326AH motors.	\$300
1326-CB-CCU-150	motor feedback, 150 m (492.12 ft), used with all 1326AH motors	900
1326-CB-CCU-300	motor feedback, 300 m (984.25 ft), used with all 1326AH motors	1,800
1326-CB-CCU-450	motor feedback, 450 m (1476.37 ft), used with all 1326AH motors	2,700
1326-CB-CPB1-050	power, 50 m (160 ft), used with 1326AH-B330 and -B440 motors	450
1326-CB-CPB1-150	power, 150 m (492.12 ft), used with 1326AH-B330 and -B440 motors	1,350
1326-CB-CPB1-300	power, 300 m (984.25 ft), used with 1326AH-B330 and -B440 motors	2,700
1326-CB-CPB1-450	power, 450 m (1476.37 ft), used with 1326AH-B330 and -B440 motors	4,050
1326-CB-CPC1-050	power, 50 m (160 ft), used with 1326AH-B540 motors	1,000
1326-CB-CPC1-150	power, 150 m (492.12 ft), used with 1326AH-B540 motors	3,000
1326-CB-CPC1-300	power, 300 m (984.25 ft), used with 1326AH-B540 motors	6,000
1326-CB-CPC1-450	power, 450 m (1476.37 ft), used with 1326AH-B540 motors	9,000

Accessories

Use discount schedule D29 and the table below to determine the price of the resolver feedback kit.

Catalog Number:	Bulk Cable Description:	List Price:
1394-CCFK	Resolver feedback connector kit (includes the connector, pins, and extraction tool to connect to 1326-CB-CCU-xxx motor feedback cables)	\$35

Refer to the *1394 Digital AC Multi-Axis Motion Control System User Manual* (publication 1394-5.0) for additional accessories.

Refer to the *Hazardous Duty Motors User Manual* (publication 1326AH-UM001A-US-P) for information on explosion proof junction box and conduit requirements.

For more information refer to our web site: www.ab.com/motion

Reach us now at www.rockwellautomation.com

Wherever you need us, Rockwell Automation brings together leading brands in industrial automation including Allen-Bradley controls, Reliance Electric power transmission products, Dodge mechanical power transmission components, and Rockwell Software. Rockwell Automation's unique, flexible approach to helping customers achieve a competitive advantage is supported by thousands of authorized partners, distributors and system integrators around the world.

Americas Headquarters, 1201 South Second Street, Milwaukee, WI 53204, USA, Tel: (1) 414 382-2000, Fax: (1) 414 382-4444
European Headquarters SA/NV, avenue Herrmann Debroux, 46, 1160 Brussels, Belgium, Tel: (32) 2 663 06 00, Fax: (32) 2 663 06 40
Asia Pacific Headquarters, 27/F Citicorp Centre, 18 Whitfield Road, Causeway Bay, Hong Kong, Tel: (852) 2887 4788, Fax: (852) 2508 1846

