



Right-angle Connection for Series B 1326 Cables

Catalog Numbers 1326-CCUT-RAL, 1326-CCUT-RBL, 1326-CECUT-RAL, 1326-CECUT-RBL, 1326-CPB1T-RAL, 1326-CPB1T-RBL, 1326-CPC1T-RAL, 1326-CPC1T-RBL

About This Publication

This document contains information for replacing obsolete 1326-~~XXX-XXX~~-xxx cables, and installing replacement cables with right-angle connectors on the 460V 1326AB and 1326AS motors.

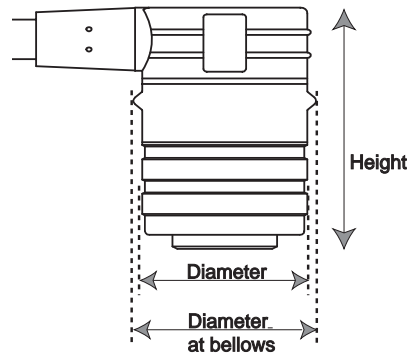
The table lists available Series B 1326 right-angle cables and the cables they obsolete.

This cable replaces	this cable.
1326-CCUT-RAL-xxx	1326-CCU-RA-xxx, 1326-CCU-RAL-xxx, 1326-CCUT-RA-xxx
1326-CCUT-RBL-xxx	1326-CCU-RB-xxx, 1326-CCU-RBL-xxx, 1326-CCUT-RB-xxx
1326-CECUT-RAL-xxx	1326-CECU-RA-xxx, 1326-CECU-RAL-xxx, 1326-CECUT-RA-xxx
1326-CECUT-RBL-xxx	1326-CECU-RB-xxx, 1326-CECU-RBL-xxx, 1326-CECUT-RB-xxx
1326-CPB1T-RAL-xxx	1326-CPB1-RA-xxx, 1326-CPB1-RAL-xxx, 1326-CPB1T-RA-xxx
1326-CPB1T-RBL-xxx	1326-CPB1-RB-xxx, 1326-CPB1-RBL-xxx, 1326-CPB1T-RB-xxx
1326-CPC1T-RAL-xxx	1326-CPC1-RA-xxx, 1326-CPC1-RAL-xxx, 1326-CPC1T-RAL-xxx
1326-CPC1T-RBL-xxx	1326-CPC1-RB-xxx, 1326-CPC1-RBL-xxx, 1326-CPC1T-RBL-xxx

Connector Dimensions

This table lists dimensions for the 1326-xxx-RAL-xxx and 1326-xxx-RBL-xxx connectors.

Cable	Height, Approx. mm (in.)	Diameter, Approx. mm (in.)	Diameter at Bellows, Approx. mm (in.)
1326-CCUT-RAL-xxx, 1326-CCUT-RBL-xxx	66.80 (2.63)	40.38 (1.59)	38.61 (1.52)
1326-CECUT-RAL-xxx, 1326-CECUT-RBL-xxx	66.80 (2.63)	40.38 (1.59)	38.61 (1.52)
1326-CPB1T-RAL-xxx, 1326-CPB1T-RBL-xxx	69.85 (2.75)	46.99 (1.85)	45.47 (1.79)
1326-CPC1T-RAL-xxx, 1326-CPC1T-RBL-xxx	84.07 (3.31)	57.15 (2.25)	55.37 (2.18)



Dimensions for the 1326-xxx-RAL-xxx and 1326-xxx-RBL-xxx Connectors

Cable Bend Radius

The table and diagram depict the minimum bend radius for cables. Bend radius is the tightest (minimum) curvature allowed without potential damage to the cable.

Motor Power Cable Catalog Number	1326-CCUT-xxx	1326-CECUT-xxx	1326-CPB1T-xxx	1326-CPC1T-xxx	Bend Radius Diagram
BR, Approx ⁽¹⁾ mm (in.)	50.8 (2.0)	120 (4.7)	104.1 (4.1)	160.2 (6.3)	

⁽¹⁾ Bend radius (BR) is the specified minimum bend radius for cable assemblies. For non-flex cables, BR is a one-time flex application. Flex cables have a much higher BR to withstand flex applications. The BR for user-fabricated cables may vary.

Cable Wiring

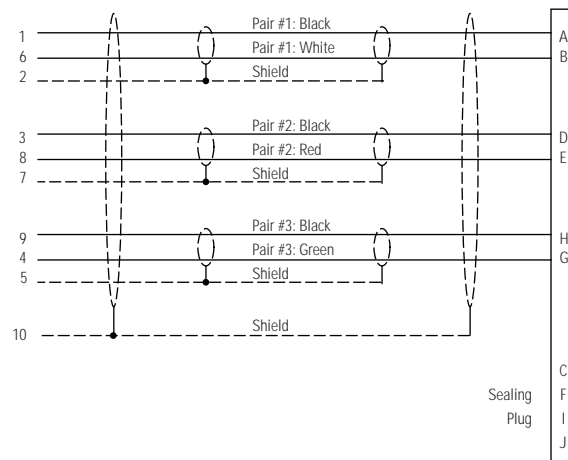
Connector wiring pinouts and diagrams are provided in these cables.

1326-CCUT-RAL-xxx and 1326-CCUT-RBL-xxx Wiring

This table provides wiring information for the 1326-CCUT-RAL, 1326-CCUT-RBL motor feedback (resolver) cables.

Signal	Wire Color	Gauge mm ² (AWG)	Connector Pin	1394 Terminal
Axis_0_R1	Black	0.518 (20)	A	1
Axis_0_R2	White	0.518 (20)	B	6
Shield		0.518 (20)	No connection	2
Axis_0_S1	Black	0.518 (20)	D	3
Axis_0_S3	Red	0.518 (20)	E	8
Shield		0.518 (20)	No connection	7
Axis_0_S4	Black	0.518 (20)	H	9
Axis_0_S2	Green	0.518 (20)	G	4
Shield		0.518 (20)	No connection	5
Overall shield		N/A	No connection	10

1326-CCUT-RAL, 1326-CCUT-RBL Cable Wiring Diagram



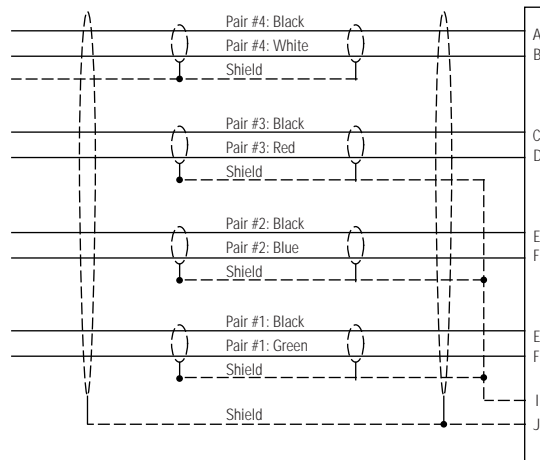
Allen-Bradley Replacements

1326-CECUT-RAL-xxx and 1326-CECUT-RBL-xxx Wiring

This table provides wiring information for the 1326-CECUT-RAL, 1326-CECUT-RBL motor feedback (high resolution) cables.

Signal	Wire Color	Gauge mm ² (AWG)	Connector Pin	1394 Terminal
Power	Black	0.518 (20)	A	3
Ground	White	0.518 (20)	B	2
Shield		0.518 (20)	No connection	
ChA_LO	Black	0.518 (20)	C	11
ChA_HI	Red	0.518 (20)	D	12
Shield		0.518 (20)	I	10
ChB_LO	Black	0.518 (20)	E	8
ChB_HI	Blue	0.518 (20)	F	9
Shield		0.518 (20)	I	7
Comm_HI	Black	0.518 (20)	G	6
Comm_LO	Green	0.518 (20)	H	5
Shield		0.518 (20)	I	4
Overall shield		N/A	J	1

1326-CECUT-RAL, 1326-CECUT-RBL Cable Wiring Diagram

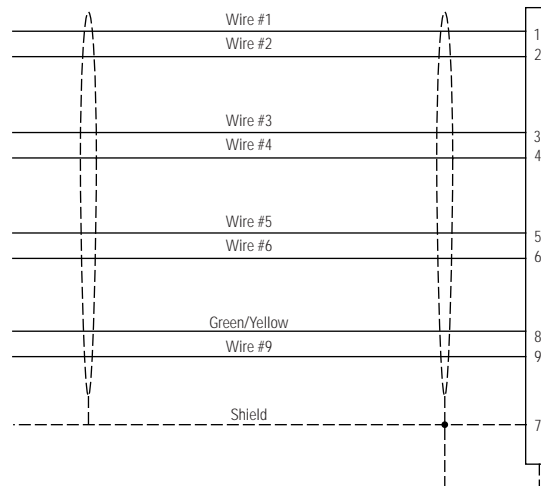


1326-CPB1T-RAL-xxx and 1326-CPB1T-RBL-xxx Wiring

This table provides wiring information for the 1326-CPB1T-RAL, 1326-CPB1T-RBL motor feedback (high resolution) cables.

Wire Number	Signal	Wire Color	Gauge mm ² (AWG)	Connector Pin	1394 Terminal
1	Power	Black	1.29 (16)	1	U1
2	Power	Black	1.29 (16)	2	V1
3	Power	Black	1.29 (16)	3	W1
4	Brake	Black	1.29 (16)	4	TB1-3
5	Thermostat	Black	1.29 (16)	5	TB1-2
6	Brake	Black	1.29 (16)	6	TB1-4
Overall shield		Shield	1.29 (16)	7	PE3
8	GND	Green/Yellow	1.29 (16)	8	PE2
9	Thermostat	Black	1.29 (16)	9	TB1-1
Overall shield		Braid	N/A	Connected to shell	Ground stud

1326-CPB1T-RAL, 1326-CPB1T-RBL Cable Wiring Diagram

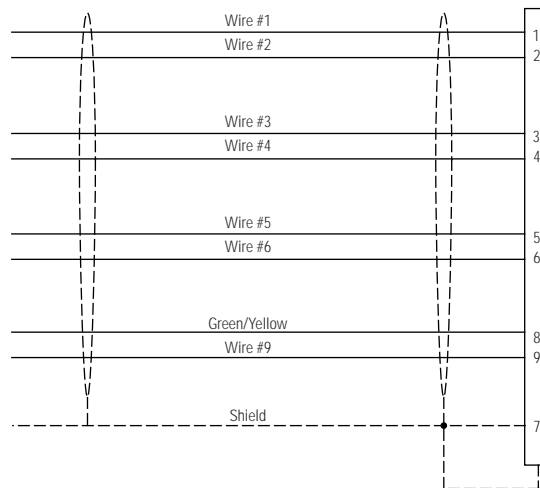


1326-CPC1T-RAL-xxx and 1326-CPC1T-RBL-xxx Wiring

This table provides wiring information for the 1326-CPC1T-RAL, 1326-CPC1T-RBL motor feedback (high resolution) cables.

Wire Number	Signal	Wire Color	Gauge mm ² (AWG)	Connector Pin	1394 Terminal
1	Power	Black	2.59 (10)	1	U1
2	Power	Black	2.59 (10)	2	V1
3	Power	Black	2.59 (10)	3	W1
4	Brake	Black	1.29 (16)	4	TB1-3
5	Thermostat	Black	1.29 (16)	5	TB1-2
6	Brake	Black	1.29 (16)	6	TB1-4
Overall shield		Shield	2.05 (12)	7	PE3
8	GND	Green/Yellow	2.05 (12)	8	PE2
9	Thermostat	Black	1.29 (16)	9	TB1-1
Overall shield		Braid	N/A	Connected to shell	Ground stud

1326-CPC1T-RAL, 1326-CPC1T-RBL Cable Wiring Diagram

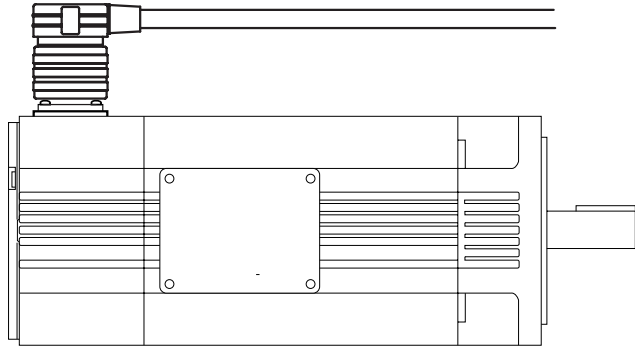


Cable Orientation

Connectors are keyed to correctly orient cables when connected.

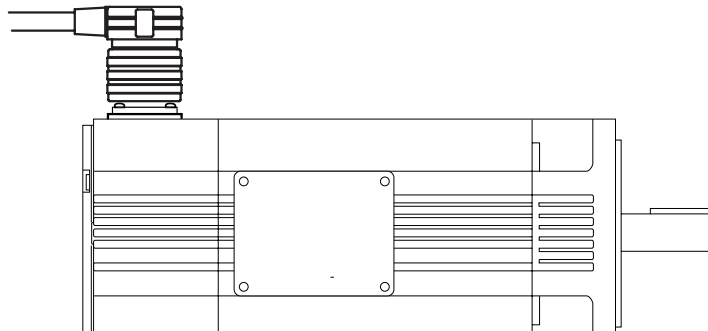
The diagrams show the correct orientation of the 1326-*xxx*-RAL cable and the 1326-*xxx*-RBL cable with right-angle connectors in relation to the motor shaft.

1326-*xxx*-RAL Cable with Right-angle Connector



1326-*xxx*-RAL-*xxx* cable exits toward the motor shaft.

1326-*xxx*-RBL Cable with Right-angle Connector



1326-*xxx*-RBL-*xxx* cables exits away from the motor shaft.

Rockwell Automation Support

Rockwell Automation provides technical information on the Web to assist you in using its products. At <http://support.rockwellautomation.com>, you can find technical manuals, a knowledge base of FAQs, technical and application notes, sample code and links to software service packs, and a MySupport feature that you can customize to make the best use of these tools.

For an additional level of technical phone support for installation, configuration, and troubleshooting, we offer TechConnect Support programs. For more information, contact your local distributor or Rockwell Automation representative, or visit <http://support.rockwellautomation.com>.

Installation Assistance

If you experience a problem with a hardware module within the first 24 hours of installation, please review the information that's contained in this manual. You can also contact a special Customer Support number for initial help in getting your module up and running:

United States	1.440.646.3223 Monday – Friday, 8am – 5pm EST
Outside United States	Please contact your local Rockwell Automation representative for any technical support issues.

New Product Satisfaction Return

Rockwell tests all of its products to ensure that they are fully operational when shipped from the manufacturing facility. However, if your product is not functioning and needs to be returned:

United States	Contact your distributor. You must provide a Customer Support case number (see phone number above to obtain one) to your distributor in order to complete the return process.
Outside United States	Please contact your local Rockwell Automation representative for return procedure.

Allen-Bradley, Rockwell Automation, and TechConnect are trademarks of Rockwell Automation, Inc.

Trademarks not belonging to Rockwell Automation are the property of their respective companies.

www.rockwellautomation.com

Power, Control and Information Solutions Headquarters

Americas: Rockwell Automation, 1201 South Second Street, Milwaukee, WI 53204-2496 USA, Tel: (1) 414.382.2000, Fax: (1) 414.382.4444

Europe/Middle East/Africa: Rockwell Automation, Vorstlaan/Boulevard du Souverain 36, 1170 Brussels, Belgium, Tel: (32) 2 663 0600, Fax: (32) 2 663 0640

Asia Pacific: Rockwell Automation, Level 14, Core F, Cyberport 3, 100 Cyberport Road, Hong Kong, Tel: (852) 2887 4788, Fax: (852) 2508 1846

Publication 1326A-IN024B-EN-P - May 2007

Supersedes Publication 1326A-IN024A - May - 1998

PN 191172

Copyright © 2007 Rockwell Automation, Inc. All rights reserved. Printed in the U.S.A.