



Series B High-resolution 1326 Cables

Catalog Number 1326-CECUT-L

About This Publication

This document contains information for installing high-resolution feedback cables with straight connectors on 460V 1326AB motors.

The table lists available Series B high-resolution 1326 cables and the cables they obsolete.

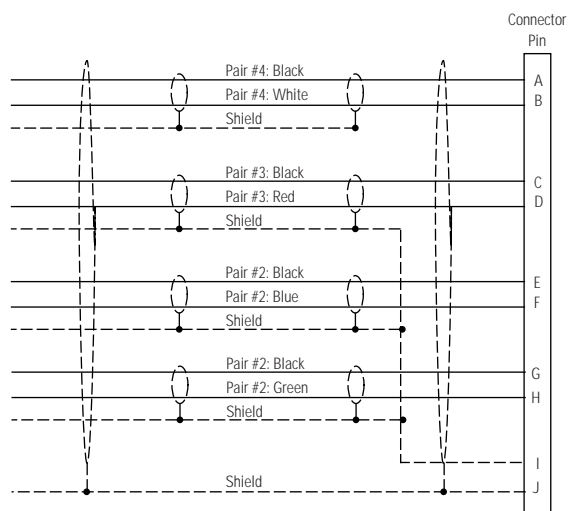
This cable replaces	this cable.
1326-CECUT-L- <i>xxx</i>	1326-CECU- <i>xxx</i> , 1326-CECU-L- <i>xxx</i> , and 1326-CECUT- <i>xxx</i>

Cable Wiring

The table provides wiring information for the 1326-CCUT-L-*xxx*, cables.

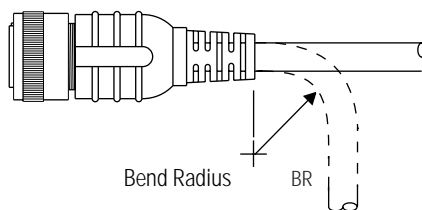
Signal	Wire Color	Gauge mm ² (AWG)	Connector Pin	Terminal Number
Power	Black	0.518 (20)	A	3
Ground	White	0.518 (20)	B	2
Shield		0.518 (20)	No connection	
ChA_LO	Black	0.518 (20)	C	11
ChA_HI	Red	0.518 (20)	D	12
Shield		0.518 (20)	I	10
ChB_LO	Black	0.518 (20)	E	8
ChB_HI	Green	0.518 (20)	F	9
Shield		0.518 (20)	I	7
Comm_HI	Black	0.518 (20)	G	6
Comm_LO	Green	0.518 (20)	H	5
Shield		0.518 (20)	I	4
Overall shield		N/A	J	1

326-CCUT-L-xxx Cable Wiring Diagram



Cable Bend Radius

The table and diagram depict the minimum bend radius for cables. Bend radius is the tightest (minimum) curvature allowed without potential damage to the cable.



Motor Power Cable Catalog Number	1326-CCUT-L-xxx
BR¹ mm (in.) ⁽¹⁾	101.6 (4.0)

⁽¹⁾ Bend radius (BR) is the specified minimum bend radius for cable assemblies. For standard cable, BR is a one-time flex application. BR may vary on user-fabricated cables. Flex cables have a much higher BR to withstand flex applications.

Allen-Bradley, Rockwell Automation, and TechConnect are trademarks of Rockwell Automation, Inc.

Trademarks not belonging to Rockwell Automation are the property of their respective companies.

www.rockwellautomation.com

Power, Control and Information Solutions Headquarters

Americas: Rockwell Automation, 1201 South Second Street, Milwaukee, WI 53204-2496 USA, Tel: (1) 414.382.2000, Fax: (1) 414.382.4444

Europe/Middle East/Africa: Rockwell Automation, Vorstlaan/Boulevard du Souverain 36, 1170 Brussels, Belgium, Tel: (32) 2 663 0600, Fax: (32) 2 663 0640

Asia Pacific: Rockwell Automation, Level 14, Core F, Cyberport 3, 100 Cyberport Road, Hong Kong, Tel: (852) 2887 4788, Fax: (852) 2508 1846

Publication 1326A-IN026B-EN-P - April 2007

Supersedes Publication 1326A-5.26 - August 1998

PN 191174

Copyright © 2007 Rockwell Automation, Inc. All rights reserved. Printed in the U.S.A.