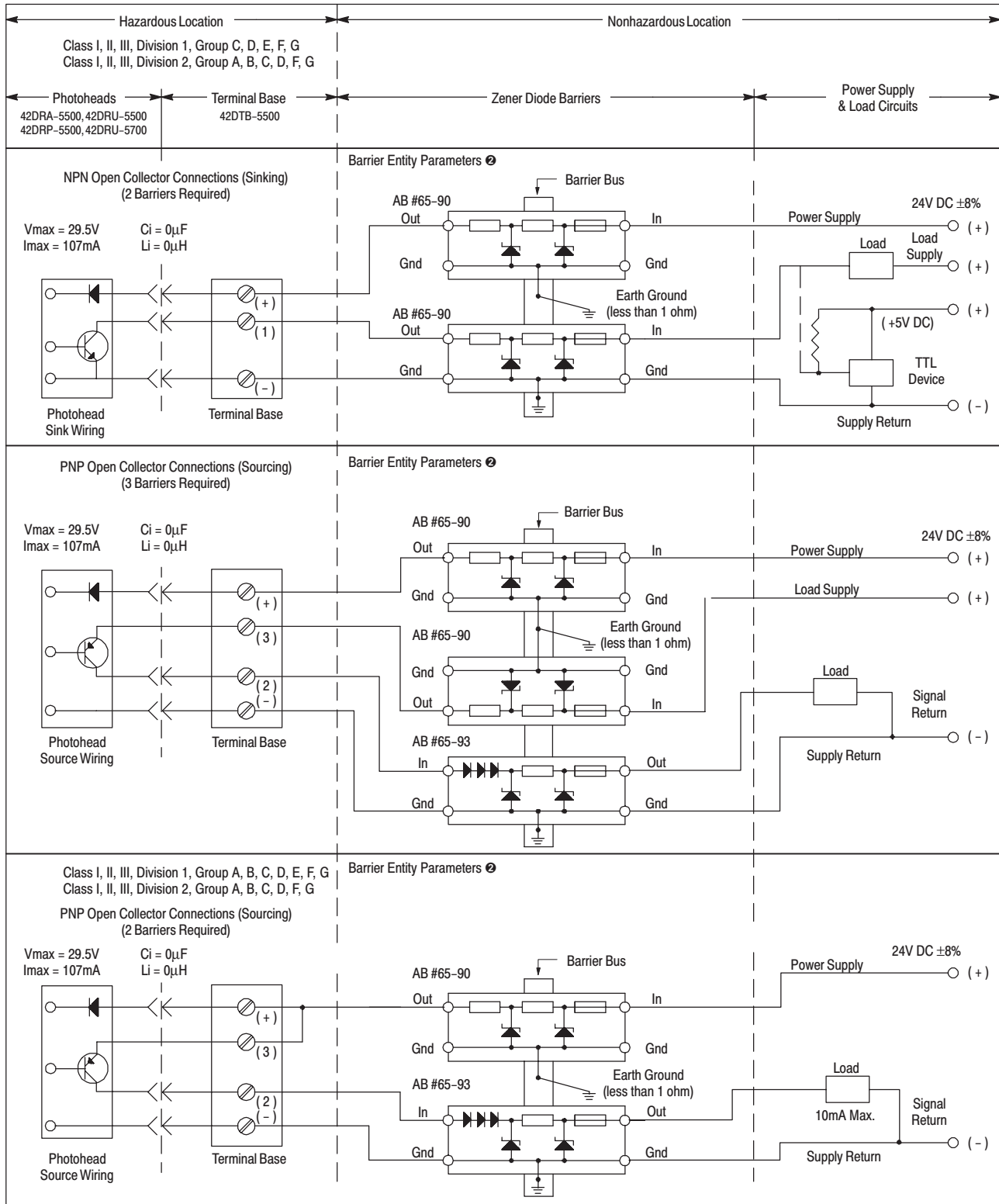


PHOTOSWITCH® Photoelectric Sensors Series 5000 Intrinsically Safe Version
Division 1 Installation Wiring Diagrams



Notes:

- ① Installation must be in accordance with the National Electrical Code® (NFPA 70, Article 504), ANSI/ISA-RP12.6, and the manufacturer's instructions.
- ② Barrier entity parameters: $V_{oc} \leq 29.5V$; $I_{sc} \leq 107mA$; $C_a \geq C_{cable}$; $L_a \geq L_{cable}$; recommended barriers are indicated on the above wiring diagram.
- ③ If the electrical parameters of the cable used are unknown, the following values may be used: Capacitance - 60pF/ft.; Inductance - 0.20µH/ft.
- ④ Barrier bus must be insulated from other grounded metal. Use DIN Rail Mounting Kit, Allen-Bradley #64-136.
- ⑤ Maximum nonhazardous area voltage must not exceed 250V.
- ⑥ Barriers are not required for Division 2 (29.5V DC max.). Division 2 applications must be installed in accordance with the National Electrical Code®.
- ⑦ An approved dust tight seal is required for Class II, III applications.
- ⑧ The output circuits of Zener Diode Barriers shall be in separate cables or separated from each other per NEC 504-30.
- ⑨ No revision to drawing without prior FMRC and UL approval.