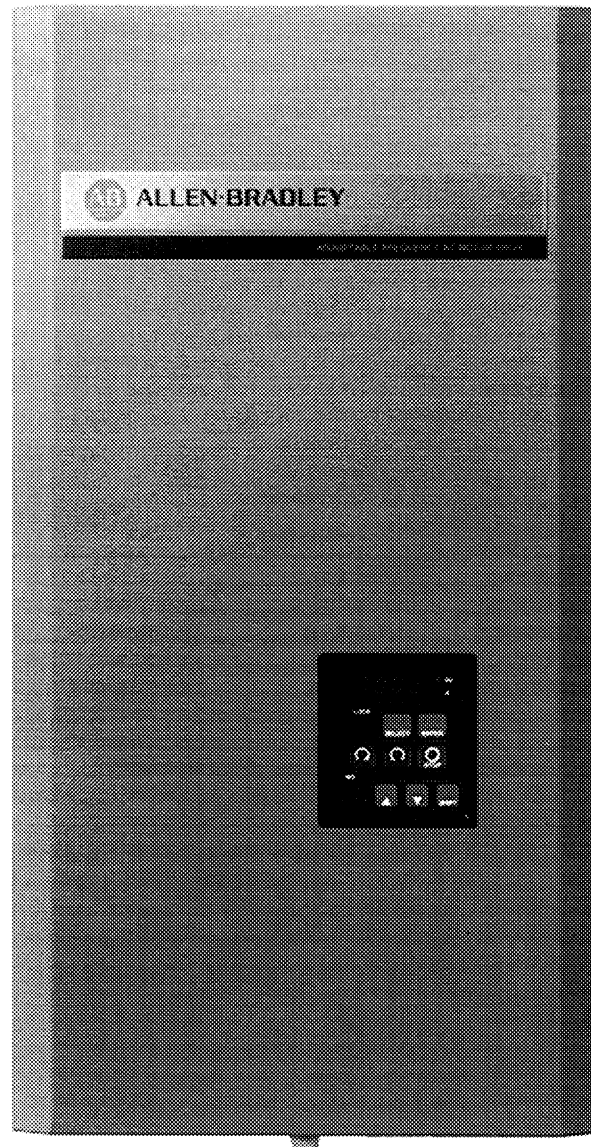




ALLEN-BRADLEY

Allen-Bradley 1333 3/4-20 HP (.55-15kW) Adjustable Frequency AC Drive

Series D User Manual Supplemental Instructions
Drive Ratings DAB, EAB, FAB and GAB



What This Supplement Contains

This supplement is intended to be used with the 1333-5.2 Series D User Manual to provide additional information for Bulletin 1333 Series D 7 1/2 to 20HP 460V drives. This supplement provides unit dimension and rating information on 7 1/2 to 20HP 460V units not listed in the manual. Refer to the 1333-5.2 Series D User Manual for all additional information.

Allen-Bradley

**Standard Three-Phase Data
Input Current, Output Current
and kVA Specifications**

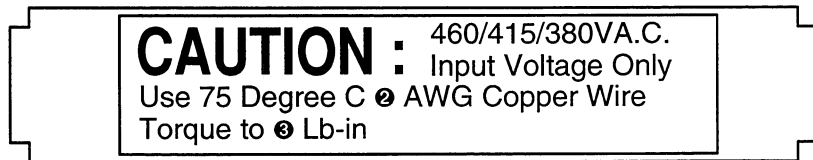
380/415/460V AC, 3-Phase, 50/60 Hertz Input Voltage

Rating Code	Nominal HP	Nominal kW	380V AC 415V AC 460V AC				380V AC 415V AC 460V AC				Total Heat Dissipated Watts (BTU/hr)	
			Input Amps	Input kVA	Input kVA	Input kVA	Output Amps	Output kVA	Output kVA	Output kVA		
DAB	7 1/2	5.5	17.1	11.3	12.3	13.6	12.0	7.9	8.6	9.6	300	1023
EAB	10	7.5	22.1	14.5	15.9	17.6	17.0	11.2	12.2	13.5	375	1279
FAB	15	11	26.5	17.4	19.1	21.1	22.0	14.5	15.8	17.5	450	1535
GAB	20	15	34.8	22.9	25.0	27.7	30.0	19.7	21.6	23.9	550	1876

**DAB-GAB 3-Phase
Power Terminal Block Wiring**

If You Use

380/415/460V AC, 3-Phase Input Voltage



(Power Terminal Block Cover)

Power Rating Code	Wire Group ①	Recommended Wire Size ②	Recommended Torque ③
DAB	2	10 AWG (6.0mm ²)	9 In-lbs (1.02N-m)
EAB	2	10 AWG (6.0mm ²)	9 In-lbs (1.02N-m)
FAB	2	8 AWG (10.0mm ²)	10 In-lbs (1.13N-m)
GAB	2	8 AWG (10.0mm ²)	10 In-lbs (1.13N-m)

① Wire group number chart, page 4-6.

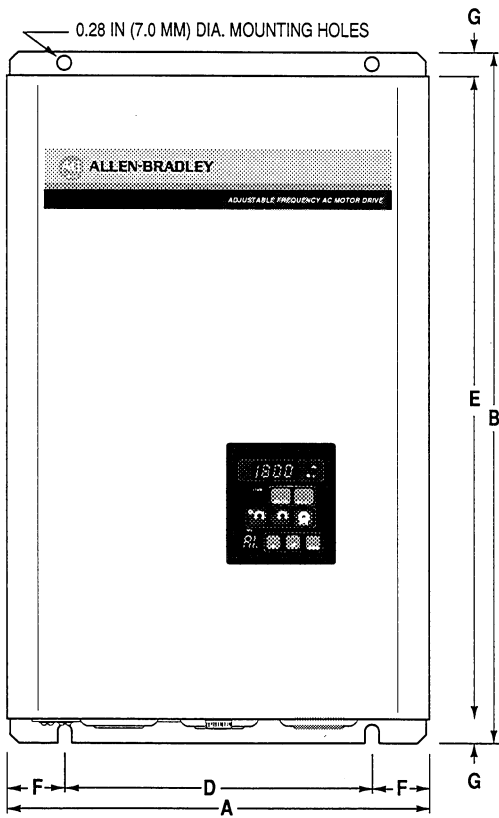
Select from the following drive input fuses.

Drive Rating DAB	Fuse Size 30A Fuse Type 600V Class K5 UL Listed or Equivalent
Drive Rating EAB	Fuse Size 40A Fuse Type 600V Class K5 UL Listed or Equivalent
Drive Rating FAB	Fuse Size 50A Fuse Type 600V Class K5 UL Listed or Equivalent
Drive Rating GAB	Fuse Size 50A Fuse Type 600V Class K5 UL Listed or Equivalent

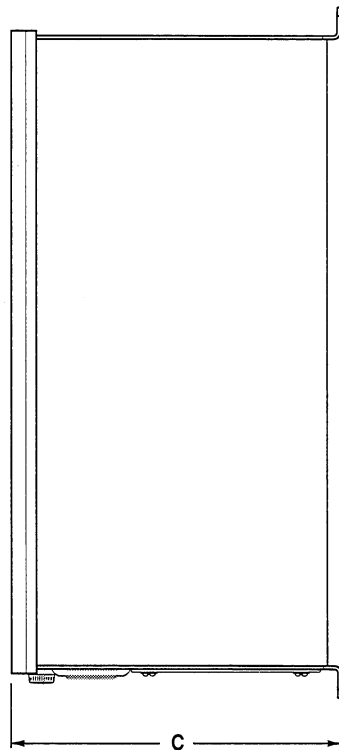
DAB-GAB 460V Dimensions, Weights and Conduit Entry Locations

Nominal Dimensions and Weights in Inches (Millimeters) and Pounds (Kilograms)

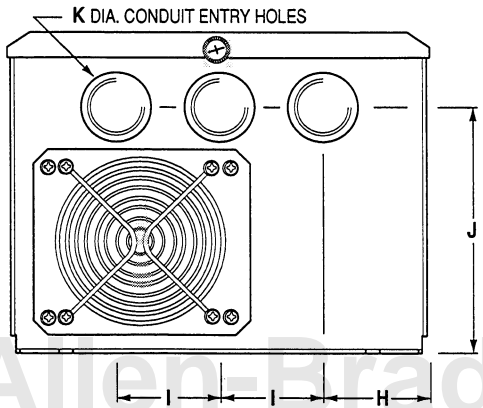
HP	kW	Rating Code	A	B	C	D	E	F	G	H	I	J	K	Weight
7 1/2, 10	5.5, 7.5	DAA, EAA	10.63 (270)	17.72 (450)	8.27 (210)	7.87 (200)	17.13 (435)	1.38 (35)	0.30 (8)	2.76 (70)	2.56 (65)	6.31 (160)	1.38 (35)	30.0 (13.6)
15, 20	11, 15	FAA, GAA	10.63 (270)	21.65 (550)	8.27 (210)	7.87 (200)	21.06 (535)	1.38 (35)	0.30 (8)	2.76 (70)	2.56 (65)	6.31 (160)	1.72 (43.8)	43.0 (19.5)



(NEMA Type 1 — Front)



(NEMA Type 1 — Side)



(NEMA Type 1 — Bottom)

Allen-Bradley Motors



ALLEN-BRADLEY
A ROCKWELL INTERNATIONAL COMPANY

Allen-Bradley has been helping its customers improve productivity and quality for 90 years. It designs, manufactures and supports a broad range of control and automation products worldwide. They include logic processors, power and motion control devices, man-machine interfaces and sensors. Allen-Bradley is a subsidiary of Rockwell International, one of the world's leading technology companies.



With major offices worldwide.

Algeria • Argentina • Australia • Austria • Bahrain • Belgium • Brazil • Bulgaria • Canada • Chile • China, PRC • Colombia • Costa Rica • Croatia • Cyprus • Czech Republic • Denmark • Ecuador • Egypt • El Salvador • Finland • France • Germany • Greece • Guatemala • Honduras • Hong Kong • Hungary • Iceland • India • Indonesia • Israel • Italy • Jamaica • Japan • Jordan • Korea • Kuwait • Lebanon • Malaysia • Mexico • New Zealand • Norway • Oman • Pakistan • Peru • Philippines • Poland • Portugal • Puerto Rico • Qatar • Romania • Russia-CIS • Saudi Arabia • Singapore • Slovakia • Slovenia • South Africa, Republic • Spain • Switzerland • Taiwan • Thailand • The Netherlands • Turkey • United Arab Emirates • United Kingdom • United States • Uruguay • Venezuela • Yugoslavia

World Headquarters, Allen-Bradley, 1201 South Second Street, Milwaukee, WI 53204 USA, Tel: (1) 414 382-2000 Fax: (1) 414 382-4444