



1334-MOD-X1, X2, X3

EMI Filter

Description

The 1334-MOD-X1, X2 or X3 EMI (Electro Magnetic Interference) filter is a transient or EMI suppression device intended for use with Bulletin 1334 or Bulletin 1335 Adjustable Frequency Drives. It is intended to be installed between the Drive output and the motor load in situations where Electro Magnetic Interference may be generated and could interfere with Drive operation. A typical example is a circuit where a motor contactor or disconnect must be located between the Drive output and the motor load, and the circuit can be opened under load (current flow to the motor). Installing the EMI Filter between the Drive output and the the line side of the disconnect switch or contactor can help suppress the EMI generated by opening the contacts under load.

The EMI Filter is rated for Bulletin 1334 and Bulletin 1335 Drives with input voltages of 380, 415 or 460V only. The filter is NOT rated for Drives with 575V input ratings. This is a current rated device that must not be applied to motor loads where the combined motor current exceeds the rating of the filter.

Specifications

Output Voltage - All Units - to 460V AC RMS Maximum.

Output Current -

Model	Continuous Load Current Rating
1334 - MOD-X1	15 Amps
1334 - MOD -X2	40 Amps
1334 - MOD-X3	100 Amps

Installation

The EMI Filter is provided as a separate component, and is intended for mounting external to the Drive. Refer to Figures 1-1, 1-3, 1-4 or 1-6 for the mounting dimensions that apply to your particular application. The filter must be installed on the Drive power output connections between the Drive and the line side of the potential EMI generating device. Refer to Figure 1-2, 1-5 or 1-7 for a typical circuit connections for your application.



WARNING: Only personnel familiar with the Drive and its associated machinery should plan or implement the installation, startup, and adjustment of MOD kits. Failure to comply may result in personal injury and/or equipment damage.

To guard against personal injury, always remove & lock out power to the Drive at the main supply disconnect and all other power source disconnects. Ensure that "Bus Up" indicator DS1 is not lit when boards or wires are being installed or connected. Use a DC Voltmeter to check for zero Drive bus voltage. Refer to the Drive schematics in your instruction manual for indicator and bus location.

A shock hazard exists when Line/Load terminals of filter and damper are energized. To guard against injury to personnel, devices must be mounted in an enclosure sized to dissipate heat losses and rated for the environmental conditions.

1334-MOD-X1
Installation & Dimensions

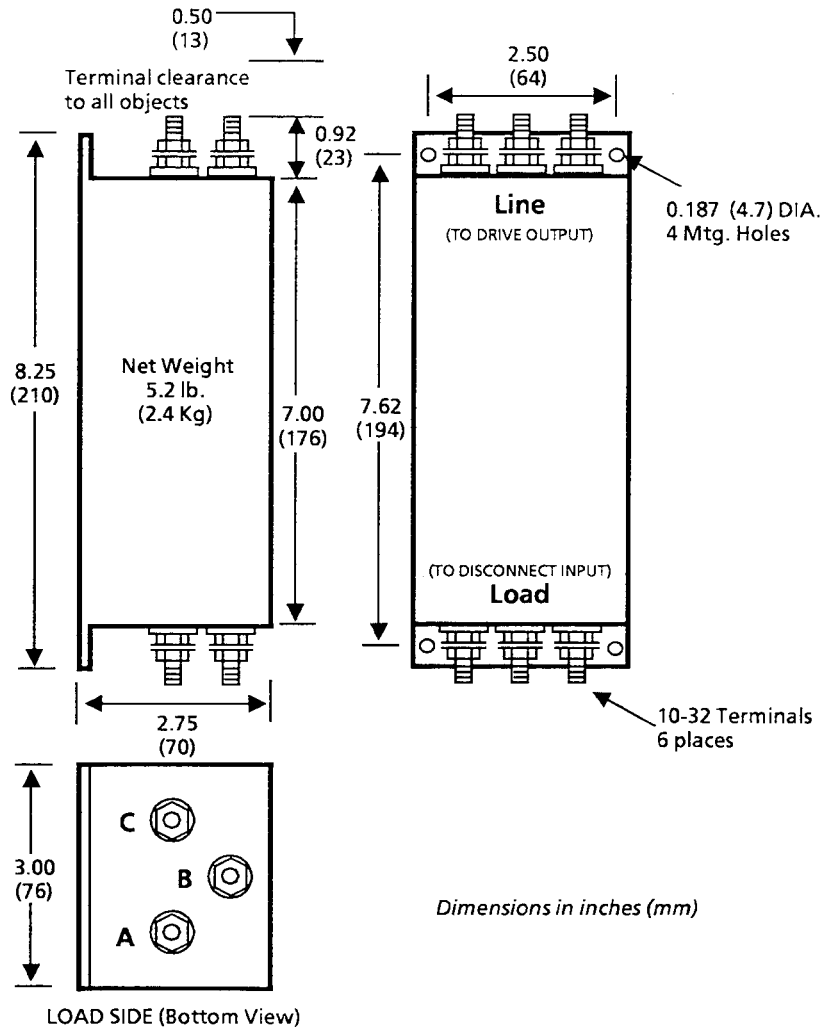


Figure 1-1. Mounting Dimensions MOD - X1 15 AMP EMI Filter

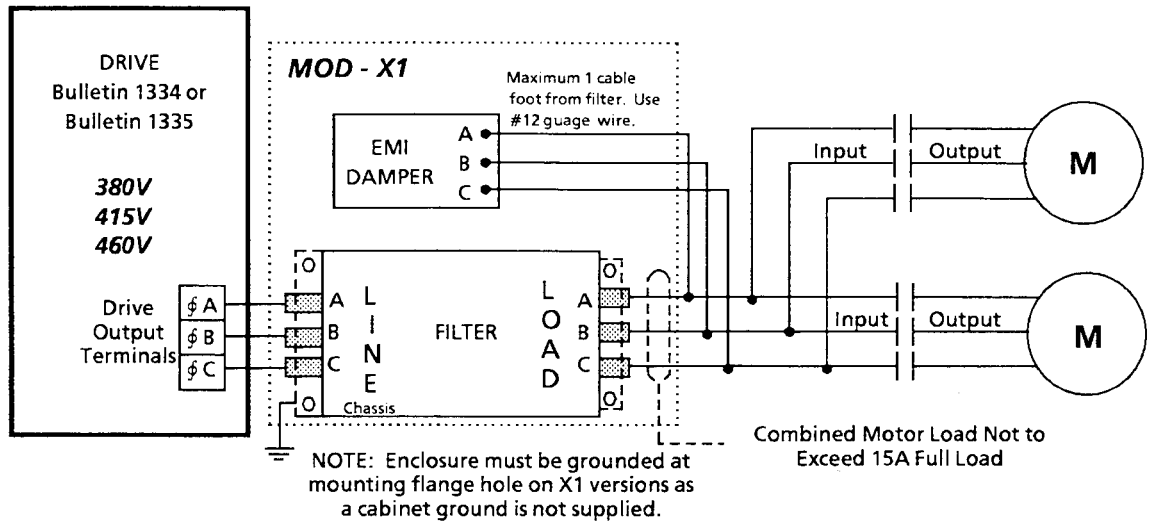
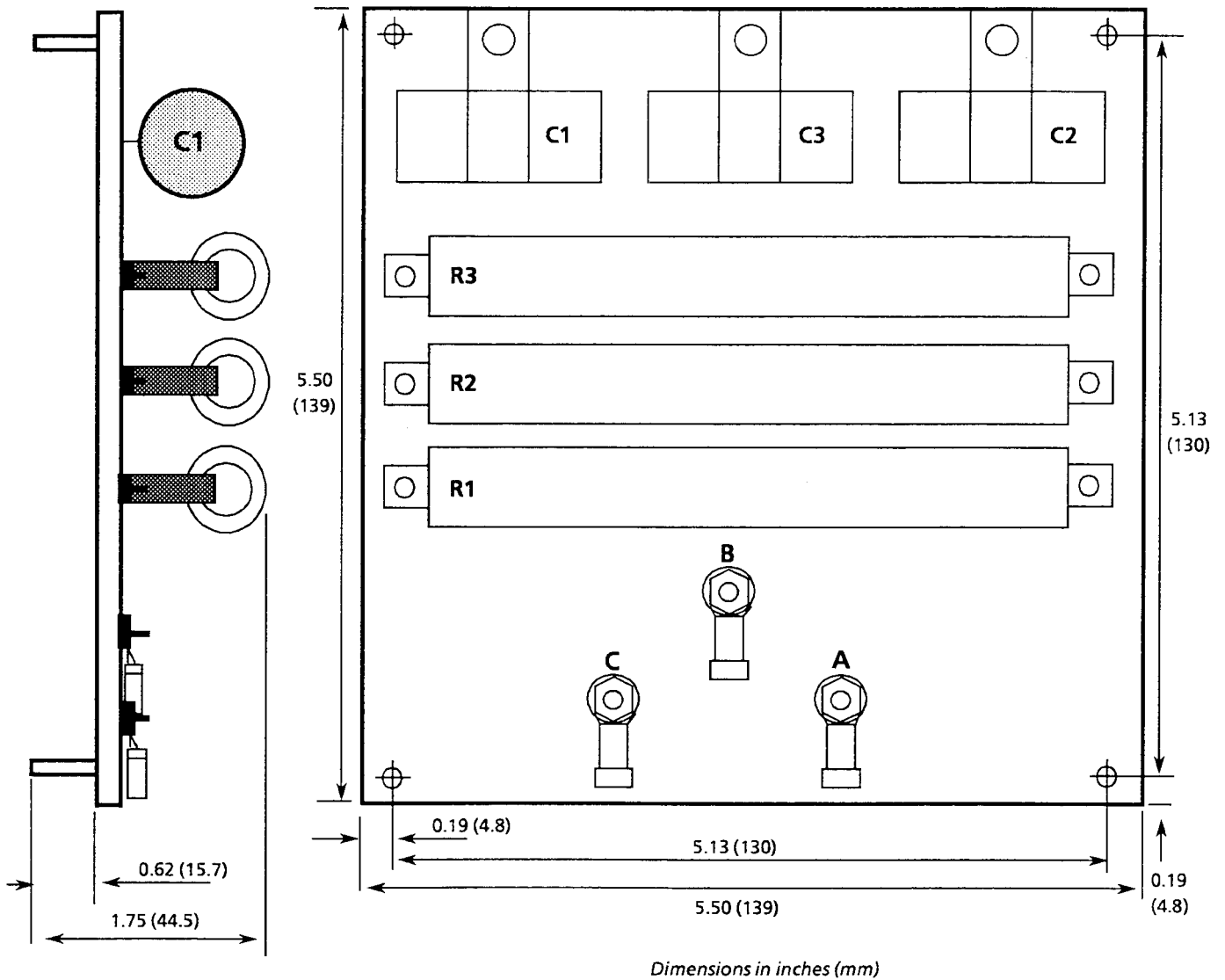


Figure 1-2. Typical Connections MOD - X1 EMI Filters



NOTES:

1. Secure board in place using four 6-32 x 1" screws and spacers supplied with the Damper.
2. Terminate Cables with Lugs supplied with Damper.
3. Secure lugged cables to Terminals A, B and C using 10-32 nuts and hardware supplied.

Figure 1-3. Mod X1 EMI Damper Dimensions



WARNING: R1,R2 and R3 can cause burns. The damper device must be mounted in a suitably rated enclosure to guard against accidental contact with these resistors.

1334-MOD-X2
Installation & Dimensions

Dimensions in inches (mm)

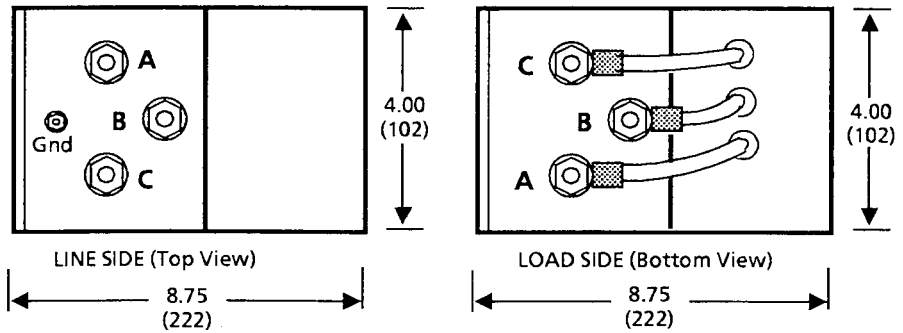
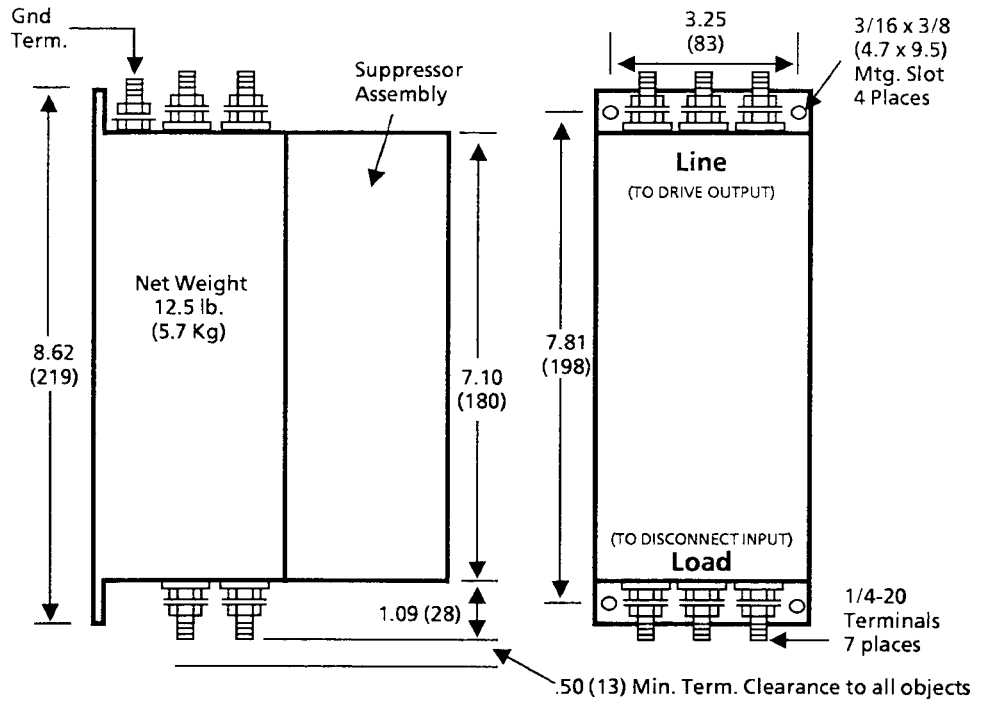


Figure 1-4. Mounting Dimensions MOD - X2 40 AMP EMI Filter

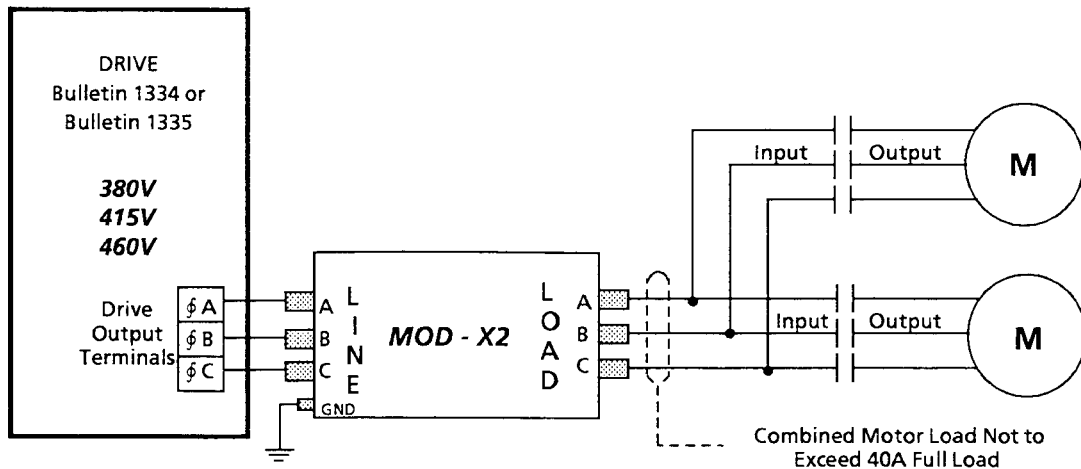


Figure 1-5. Typical Connections MOD - X2 40 AMP EMI Filters

1334-MOD-X3
Installation & Dimensions

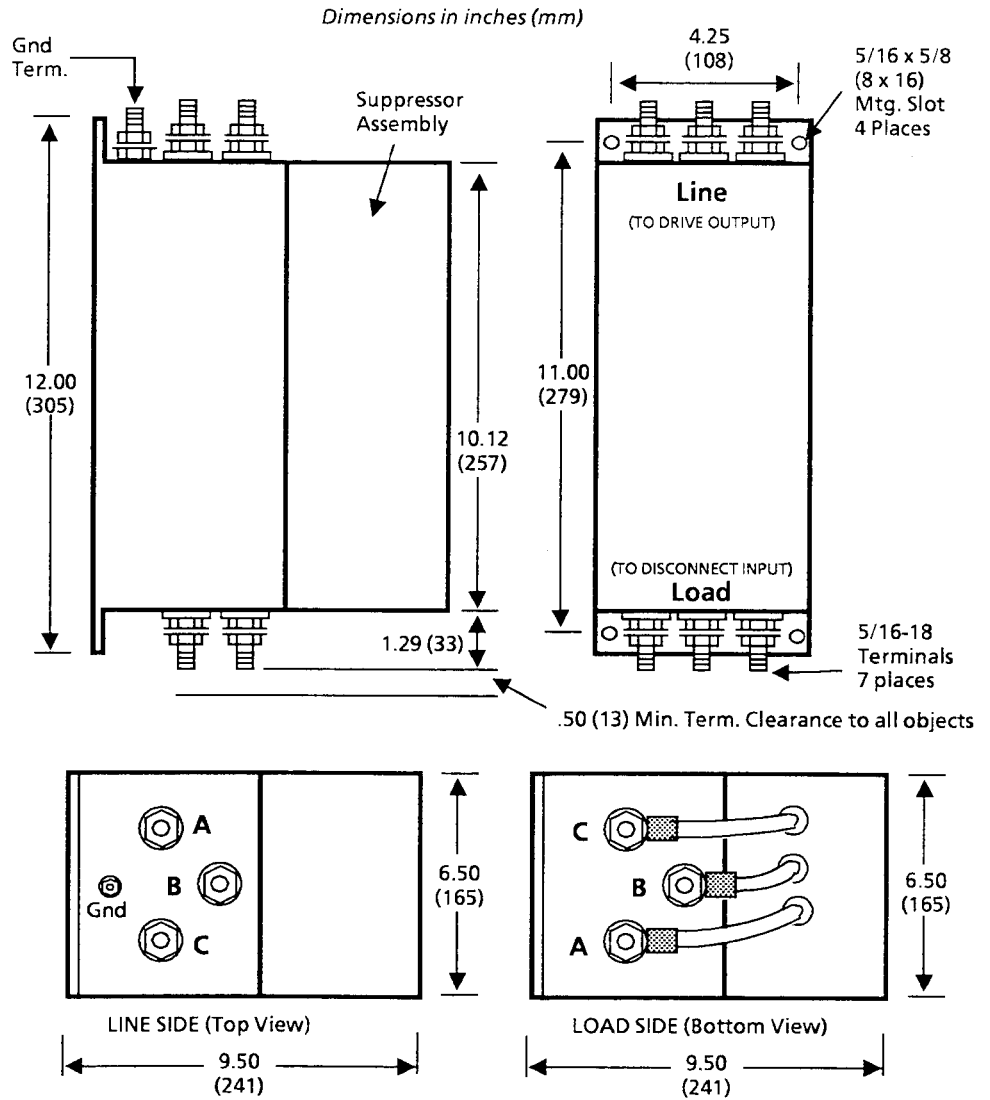
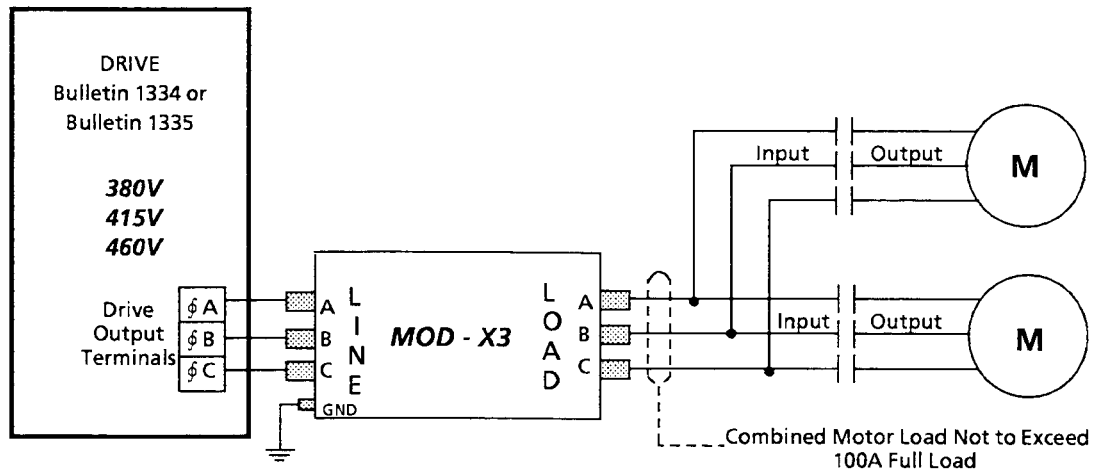


Figure 1-6. Mounting Dimensions MOD - X3 100 AMP EMI Filter



Allen Bradley
Figure 1-7. Typical Connections MOD - X3 100 AMP EMI Filters



ALLEN-BRADLEY
A ROCKWELL INTERNATIONAL COMPANY

With offices in major cities worldwide.

WORLD HEADQUARTERS

1201 South Second Street
Milwaukee, WI 53204 USA
Tel: (414) 382-2000
Telex: 43 11 016
FAX: (414) 382-4444

**EUROPE / MIDDLE EAST /
AFRICA HEADQUARTERS**

Allen-Bradley Europe B.V.
Amsterdamseweg 15
1422 AC Uithoorn
The Netherlands
Tel: (31) 2975/43500
Telex: (844) 18042
FAX: (31) 2975/60222

ASIA / PACIFIC HEADQUARTERS

Allen-Bradley(Hong Kong) Limited
2901 Great Eagle Center
23 Harbour Road
G.P.O. Box 9797
Wanchai, Hong Kong
Tel: (852)/573-9391
Telex: (780) 64347
FAX: (852)/834-5162

CANADA HEADQUARTERS

Allen-Bradley Canada Limited
135 Dundas Street
Cambridge, Ontario N1R 5X1
Canada
Tel: (519) 623-1810
Telex: (069) 59317
FAX: (519) 623-8930

**LATIN AMERICA
HEADQUARTERS**

1201 South Second Street
Milwaukee, WI 53204 USA
Tel: (414) 382-2000
Telex: 43 11 016
FAX: (414) 382-2400

MOTION CONTROL DIVISION