



1334-MOD-S1

1334-MOD-S2

1334-MOD-S3

15 – 50 HP, 460 & 575V Disconnect Switch

Description The Bulletin 1334 MODs S1, S2, and S3 provide a Bulletin 1494F disconnect switch which is installed in a NEMA Type 1 or Type 12 enclosure for both 460 and 575V Drives.

Each 1334-MOD-S1 Option Kit for 15 & 20 HP 460 & 575V Drives Includes —

- (1) Bulletin 1494F 30A Disconnect Switch, P/N 201344
- (1) Protective Cover, P/N 139042-001
- (2) Nylon Spacers, P/N 201342
- (2) 10-32 Brass All-Thread Rods, P/N 180109-002
- (7) 10-32 Hex Head Nuts, P/N 226378
- (5) #10 Flat Washer, P/N 235466
- (2) 10-32 Knurled Thumb Nut, P/N 201343
- (1) 7" All Thread Rod, P/N 180109-003
- (1) 3/8 x 6" Spacer, P/N 182125-001
- (1) Warning Label, P/N 800031-004
- (1) #10 Split Lock Washer, P/N 209716
- (1) Black Hook Up Wire, P/N 201306
- (1) Brown Hook Up Wire, P/N 201306-001
- (1) Red Hook Up Wire, P/N 201306-002

Each 1334-MOD-S2 Option Kit for 25, 30, & 40 HP 460V Drives and 25, 30, 40, & 50 HP 575V Drives Includes —

- (1) Bulletin 1494F 60A Disconnect Switch, P/N 201345
- (1) Protective Cover, P/N 139042-001
- (2) Nylon Spacers, P/N 201342
- (2) 10-32 Brass All-Thread Rods, P/N 180109-002
- (6) 10-32 Hex Head Nuts, P/N 226378
- (4) #10 Flat Washer, P/N 235466
- (2) #10 Split Lock Washer, P/N 209716
- (2) 10-32 Knurled Thumb Nut, P/N 201343
- (1) 1/4-20 x 7" All Thread Rod, P/N 180110-001
- (1) 3/8 x 6" Spacer, P/N 182125-001
- (1) Warning Label, P/N 800031-004
- (1) 1/4" Split Lock Washer, P/N 235687
- (1) 1/4-20 Hex Head Nut, P/N 226416
- (1) Wire Harness (25 & 30 HP), P/N 197193
- (1) Wire Harness (40 HP), P/N 197404
- (1) Gasket, P/N 150023
- (1) Cable Tie, P/N 222747
- (1) 3/8 x 5 1/2" Spacer, P/N 182125-003
- (1) 1/4-20 x 6 1/2" All Thread Rod, P/N 180110-003

Description	Each 1334-MOD-S3 Option Kit for 50 HP 460V Drives Includes —
(continued)	<ul style="list-style-type: none">● (1) Bulletin 1494F 100A Disconnect Switch, P/N 201346● (1) Protective Cover, P/N 139042-002● (1) Gasket, P/N 150023● (2) Nylon Spacers, P/N 201342● (2) 10-32 Brass All-Thread Rods, P/N 180109-002● (6) 10-32 Hex Head Nuts, P/N 226378● (4) #10 Flat Washer, P/N 235466● (2) #10 Split Lock Washer, P/N 209716● (2) 10-32 Knurled Thumb Nut, P/N 201343● (1) Cable Tie, P/N 222747● (1) Warning Label, P/N 800031-004● (1) Wire Harness, P/N 197194● (1) $\frac{1}{4}$-20 x $4\frac{1}{2}$" All Thread Rod, P/N 180110-004● (1) $\frac{3}{8}$ x $3\frac{1}{2}$" Spacer, P/N 182125-004● (1) $\frac{1}{4}$ - 20 Hex Head Nut, P/N 226416● (1) $\frac{1}{4}$" Split Lock Washer, P/N 235687

Installation



WARNING

Only personnel familiar with the Drive and its associated machinery should plan or implement the installation, startup, and adjustment of MOD kits. Failure to comply may result in personal injury and/or equipment damage.

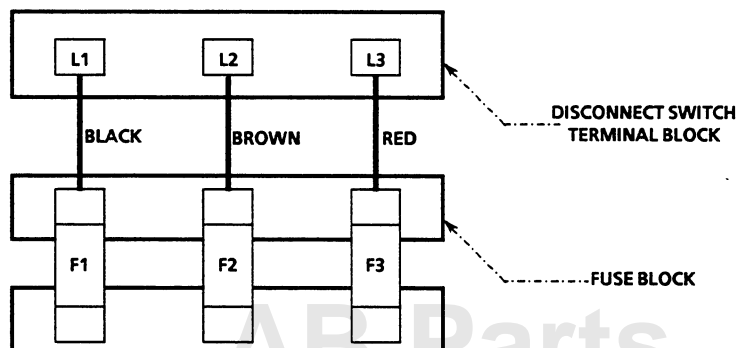
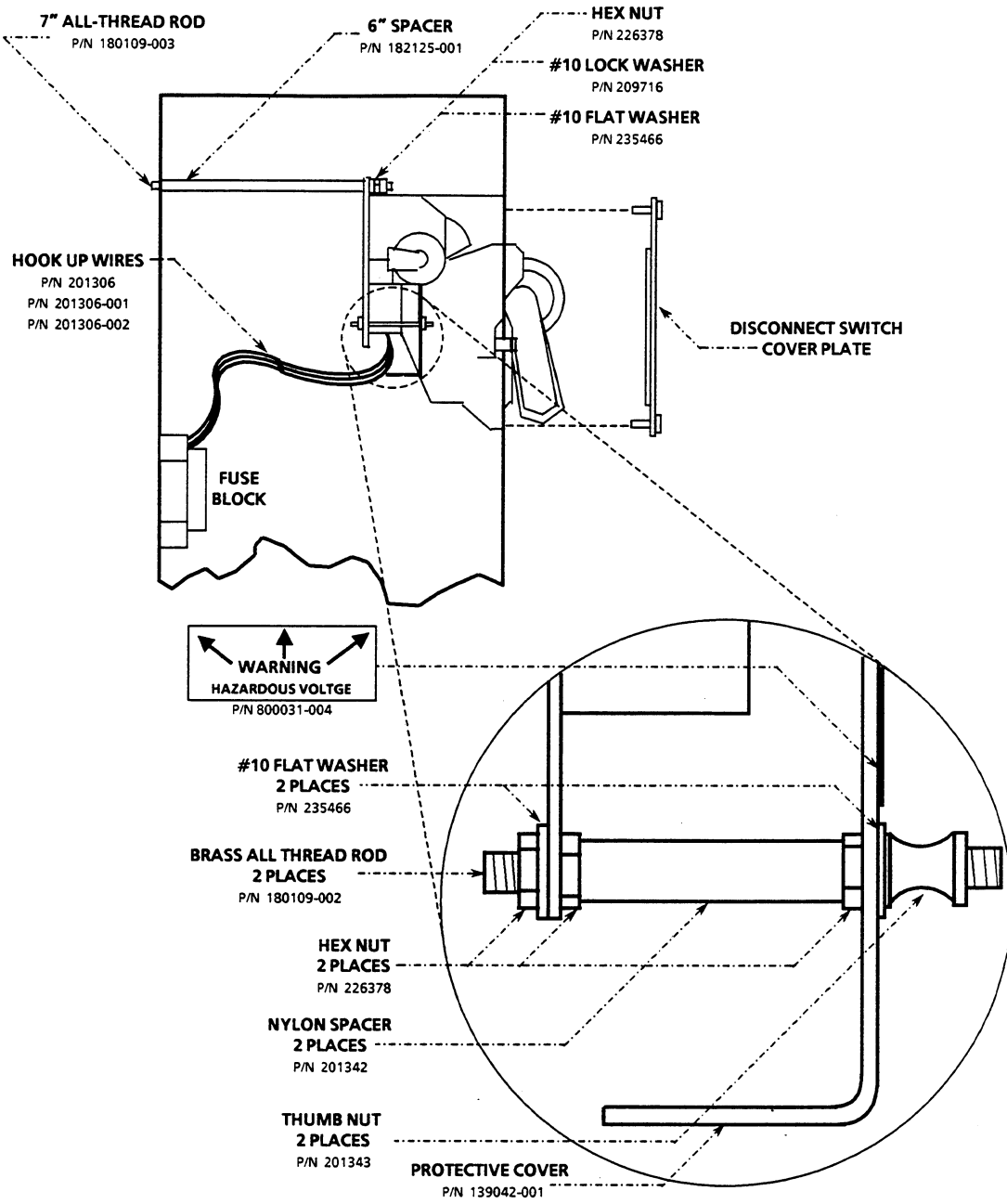
To guard against personal injury, always remove & lock out power to the Drive at the main supply disconnect and all other power source disconnects. Ensure that DS1 is not lit when boards or wires are being installed or connected. Refer to the instruction manual for your Drive for LED location.

IMPORTANT

The door catch included with each Bulletin 1494F Disconnect Switch is not required for 1334-MOD-S1, S2, or S3 installation.

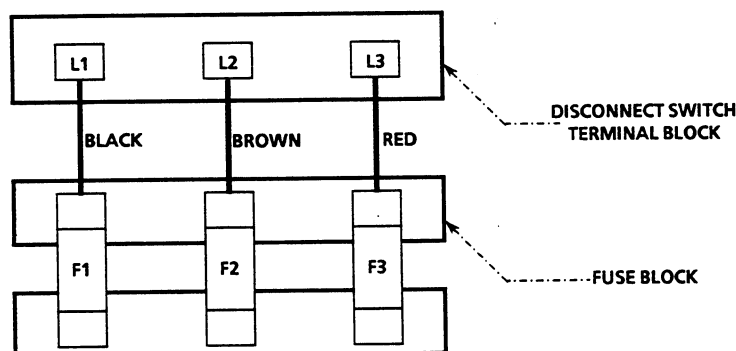
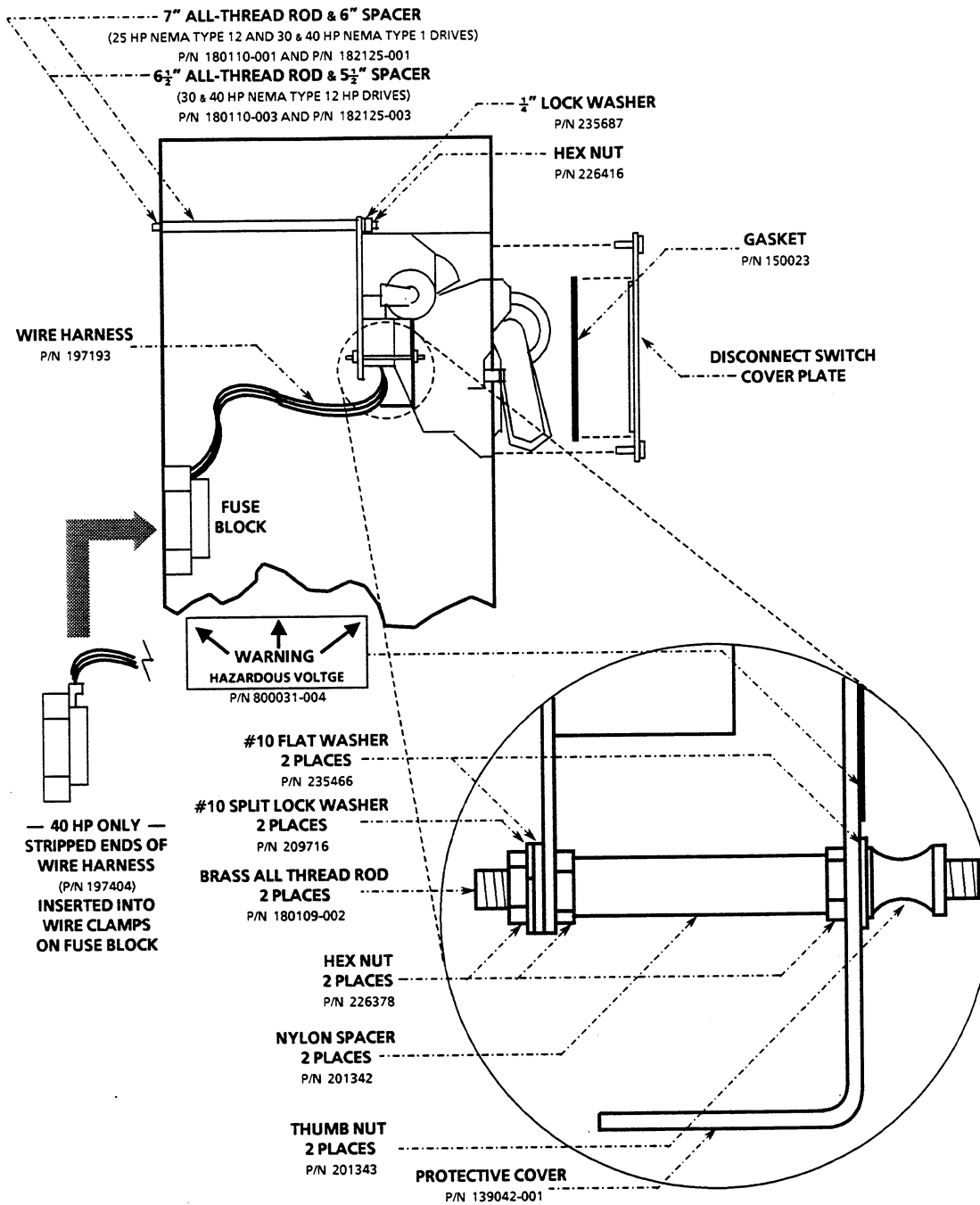
- Step 1** Remove power from the Drive at the disconnect device.
- Step 2** Remove the existing cover plate from the enclosure.
- Step 3** If installing a S2 or S3 Option Kit, apply the **GASKET** (P/N 150023) to the **DISCONNECT SWITCH COVER PLATE** provided with the Disconnect Switch.
- Step 4** Install Disconnect Switch per the drawing for your Drive as shown on **pages 3, 4, or 5**.
- Step 5** Install the supplied harness between the disconnect switch and the fuse block (note difference for 40 HP Drives in drawing). For 15 & 20 HP Drives, tighten terminal screws on the fuse block and the disconnect switch to 20 lb-in.
- For 25 HP Drives, tighten screws to 45 in-lb.
 - For 30 & 40 HP Drives, tighten screws to 35 in-lb.
 - For 50 HP Drives tighten screws to 150 in-lb.
- Step 6** Install the **PROTECTIVE COVER** for your Drive as shown.
- Step 7** **IMPORTANT**
Apply the **WARNING LABEL** to the **PROTECTIVE COVER** for your Drive as shown.

BULLETIN 1334-MOD-S1 INSTALLATION — 15 & 20 HP DRIVES

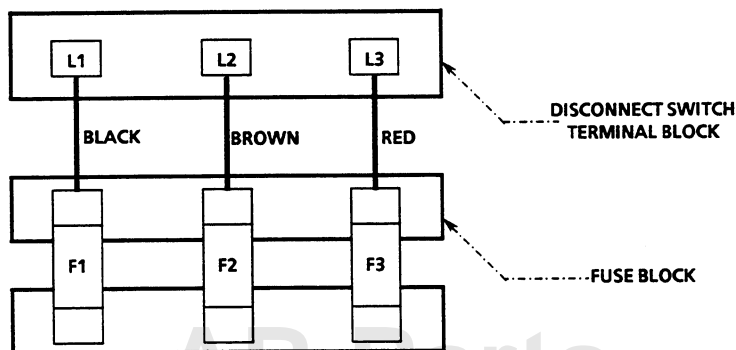
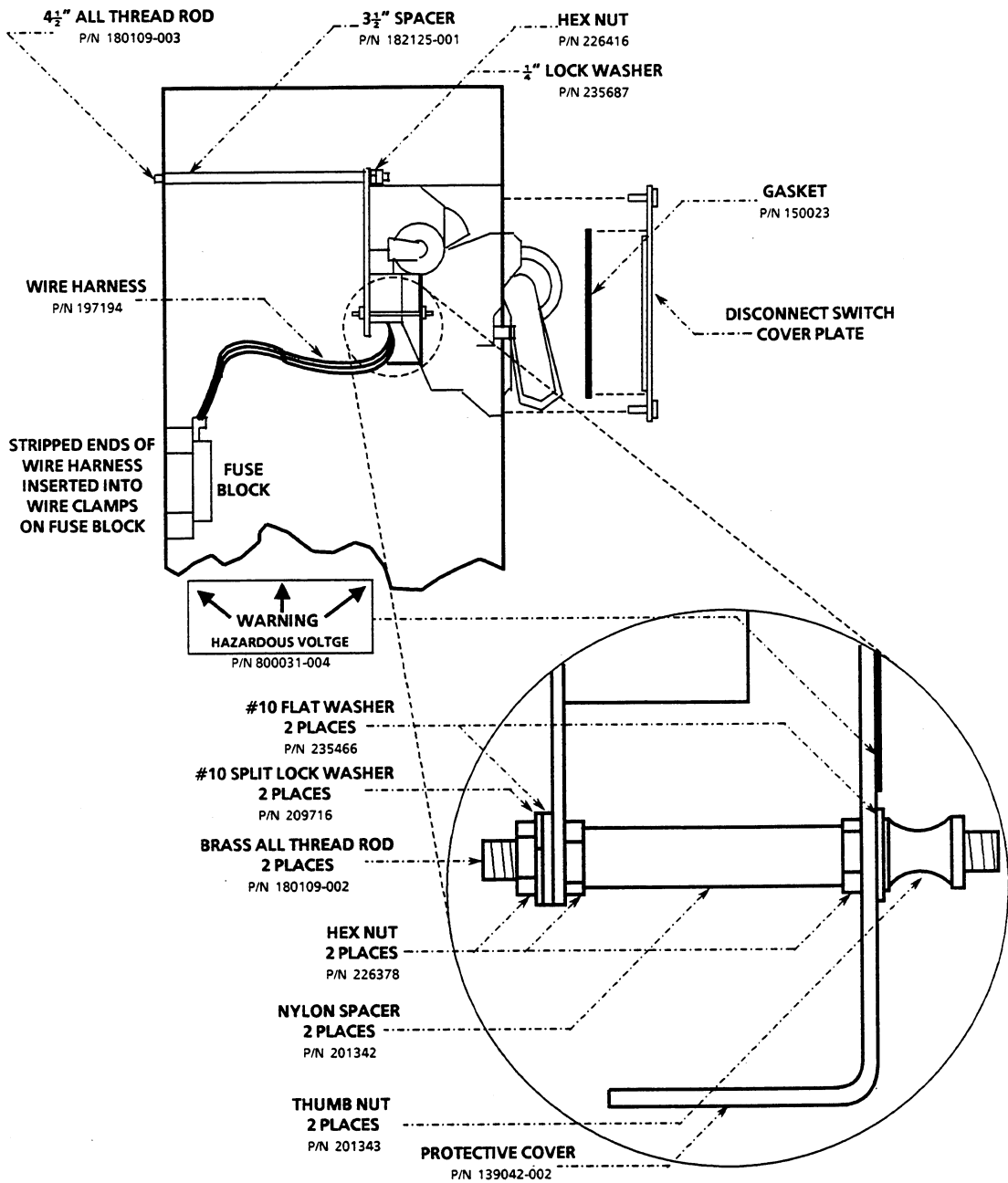


AB Parts

BULLETIN 1334-MOD-S2 INSTALLATION — 25, 30, & 40 HP DRIVES



BULLETIN 1334-MOD-S3 INSTALLATION — 50 HP DRIVES





ALLEN-BRADLEY
A ROCKWELL INTERNATIONAL COMPANY

With offices in major cities worldwide.

WORLD HEADQUARTERS
1201 South Second Street
Milwaukee, WI 53204 USA
Tel: (414) 382-2000
Telex: 43 11 016
FAX: (414) 382-2400

**EUROPE/INDIA/MIDDLE EAST/
AFRICA HEADQUARTERS**
Allen-Bradley
International Limited
Chiltern House
45 Station Road
Henley-on-Thames
Oxon, RG9 1AT England
Tel: (44) 491-577013
Telex: 851 849782
FAX: (44) 491-578933

ASIA/PACIFIC HEADQUARTERS
Allen-Bradley(Hong Kong) Limited
2901 Great Eagle Center
23 Harbour Road
G.P.O. Box 9797
Wanchai, Hong Kong
Tel: (852) 5-739391
Telex: 780 64347
FAX: (852) 5-745326

CANADA HEADQUARTERS
Allen-Bradley Canada Limited
135 Dundas Street
Cambridge, Ontario N1R 5X1
Canada
Tel: (519) 623-1810
Telex: 069 59317
FAX: (519) 623-8930

**LATIN AMERICA
HEADQUARTERS**
1201 South Second Street
Milwaukee, WI 53204 USA
Tel: (414) 382-2000
Telex: 43 11 016
FAX: (414) 382-2400

MOTION CONTROL DIVISION
4300 West Brown Deer Road
Brown Deer, WI 53223