



Bull. 1335 Instruction Manual

Revision to Publication 1335-5.0

12 - 36 Amp Switching Modules

The following Bulletin 1335 Power Switching Module part numbers have been changed. Retrofitting of Drives with the new switching modules is not necessary, however should replacement of existing modules be required, only modules assigned the new part number will be available. Please note the new part numbers in your instruction manual in the following sections:

Appendix A

Bulletin 1335 12 & 16 Amp Component Index

Power Switching Module 1Q, 2Q and 3Q
P/N 202099 (VENDOR MARKING MG50 N 2CK1)

has been changed to:

P/N 201051 (VENDOR MARKING MG50 M 2CK1)

Appendix B

Bulletin 1335 22, 28 & 36 Amp Component Index

Power Switching Module 1Q1, 1Q2, 2Q1, 2Q2, 3Q1 and 3Q2
P/N 202099 (VENDOR MARKING MG50 N 2CK1)

has been changed to:

P/N 201051 (VENDOR MARKING MG50 M 2CK1)

Installation



CAUTION: Bulletin 1335 22, 28 and 36 Amp Drives use two Power Switching Modules connected in parallel in each phase of the three-phase output. To avoid damage to the Drive, modules connected in parallel must use the same part number. This will require changing both modules in a phase even though only one module needs to be replaced. Old and new modules may be identified by the **VENDOR MARKING** on each module.



With offices in major cities worldwide.

WORLD HEADQUARTERS 1201 South Second Street Milwaukee, WI 53204 USA Tel: (414) 382-2000 Telex: 43 11 016 FAX: (414) 382-4444	EUROPE/MIDDLE EAST/AFRICA SALES HEADQUARTERS Allen-Bradley Europa B.V. Amsterdamsseweg 15 1422 AC Uithoorn The Netherlands Tel: (31) 2975/60611 Telex: (844) 18042 FAX: (31) 2975/60222	ASIA/PACIFIC HEADQUARTERS Allen-Bradley (Hong Kong) Limited 2901 Great Eagle Center 23 Harbour Road G.P.O. Box 9797 Wanchai, Hong Kong Tel: (852) 5/739391 Telex: (780) 64347 FAX: (852) 5/834 5162	CANADA HEADQUARTERS Allen-Bradley Canada Limited 135 Dundas Street Cambridge, Ontario N1R 5X1 Canada Tel: (519) 623-1810 Telex: (069) 59317 FAX: (519) 623-8930	LATIN AMERICA HEADQUARTERS 1201 South Second Street Milwaukee, WI 53204 USA Tel: (414) 382-2000 Telex: 43 11 016 FAX: (414) 382-2400
--	---	--	---	--

MOTION CONTROL DIVISION

Allen-Bradley Parts

56 - 96 Amp Switching Modules

The following Bulletin 1335 Power Switching Module part numbers have been changed. Retrofitting of Drives with the new switching modules is not necessary, however should replacement of existing modules be required, only modules assigned the new part number will be available. Please note the new part numbers in your instruction manual in the following sections:

Appendix C

Bulletin 1335 56 & 69 Amp Component Index

Power Switching Module 1Q1, 2Q1, 3Q1, 1Q2, 2Q2, and 3Q2
P/N 201411

has been changed to:

P/N 120784

Appendix D

Bulletin 1335 77 & 96 Amp Component Index

Power Switching Module 1Q1, 1Q2, 2Q1, 2Q2, 3Q1 and 3Q2
P/N 201411

has been changed to:

P/N 120784

Installation



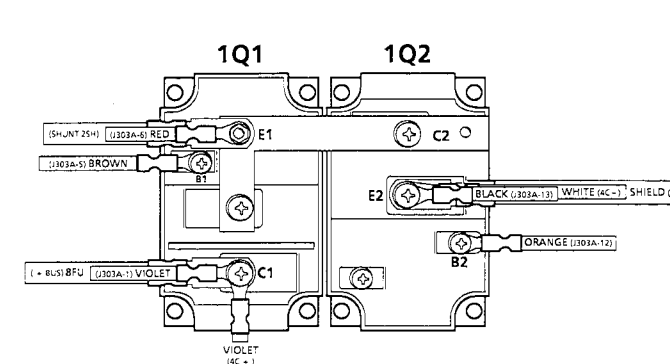
CAUTION: Bulletin 1335 56 through 96 Amp Drives use two Power Switching Modules connected in series in each phase of the three-phase output. To avoid damage to the Drive, modules connected in the same phase must use the same part number. This will require changing both modules in a phase even though only one module needs to be replaced. Old and new modules may be identified by their physical difference. See page 3 for connection details.

NOTE: A Spare Parts Kit is available that will provide the necessary components to replace one phase of the Drive. The kit includes:

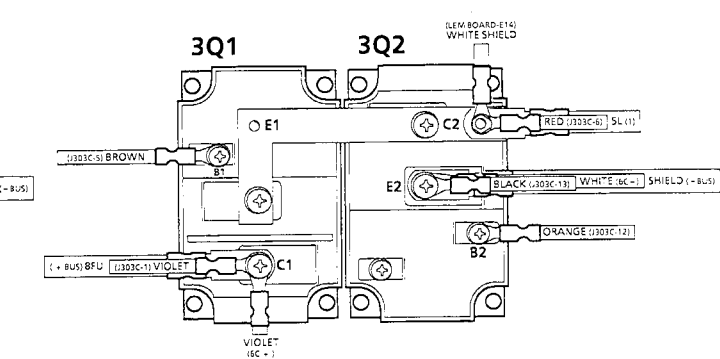
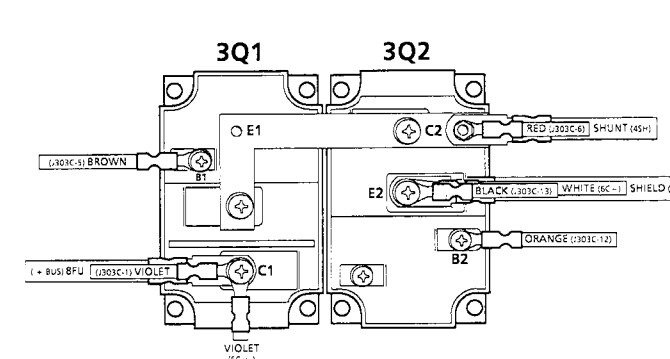
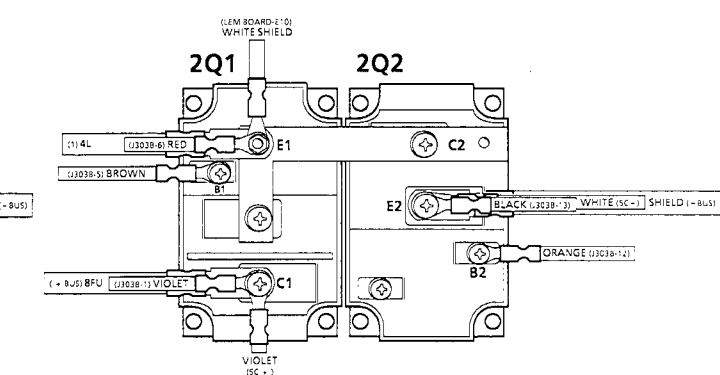
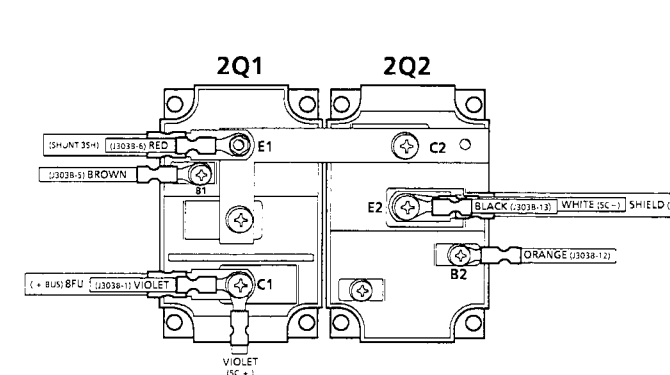
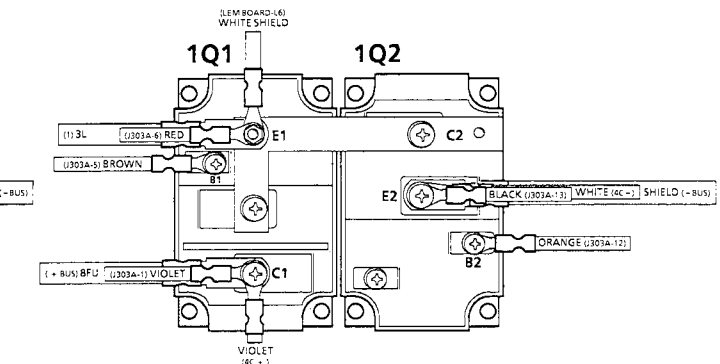
- (2) Power Switching Modules (P/N 120784)
- (1) Connection Bar (P/N 133384)
- (1) Thermal Grease Packet (P/N 201686)

This kit may be obtained by ordering P/N S120784

BULLETIN 1335 56 & 69 AMP DRIVES
POWER SWITCHING MODULE — P/N 120784



BULLETIN 1335 77 & 96 AMP DRIVES
POWER SWITCHING MODULE — P/N 120784



CAUTION: To avoid damage to the Drive, **Power Switching Modules** connected in the same phase must use the same part number. This may require changing both modules in a phase even though only one module needs to be replaced.