

Allen-Bradley 1336 IMPACT Control Interface Board

**Cat. Nos. 1336-L7E
1336-L8E
1336-L9E**

What These Instructions Contain

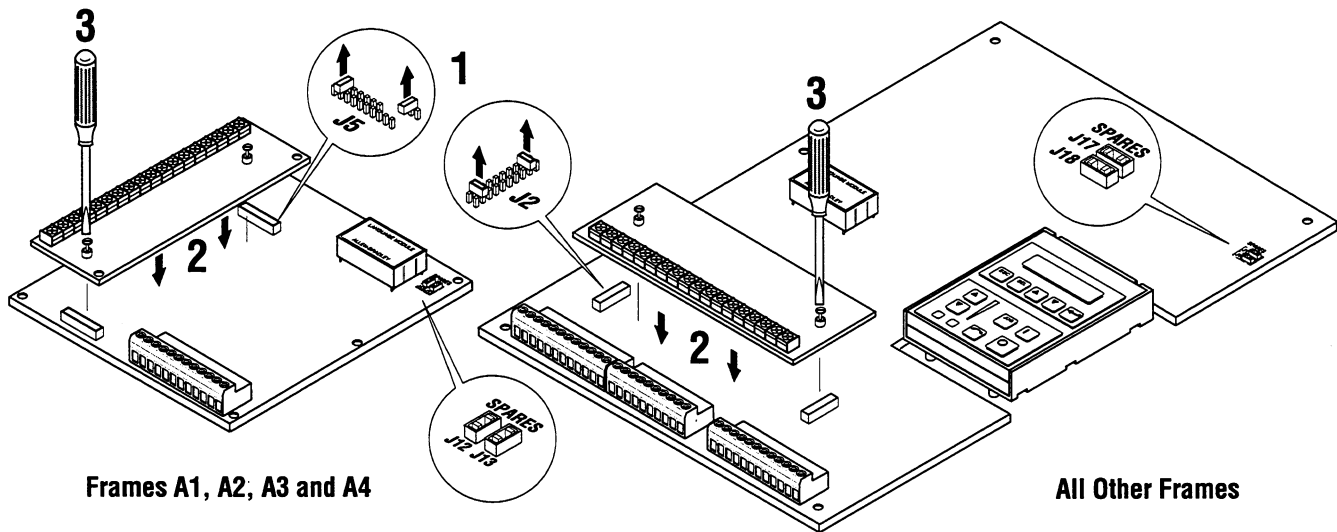
These instructions contain the necessary information to install a 1336-L7E, -L8E or -L9E Control Interface Board. For further information on board wiring and operation, refer to the 1336 IMPACT User Manual — Publication 1336 IMPACT-5.0.

How to Install a 1336 IMPACT Control Interface Board



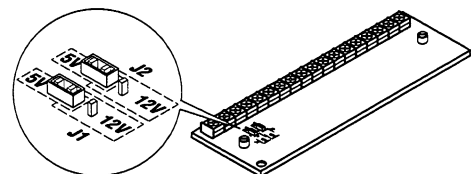
ATTENTION: This drive contains ESD (Electrostatic Discharge) sensitive parts and assemblies. Static control precautions are required when installing, testing, servicing or repairing this assembly. Component damage may result if ESD control procedures are not followed. If you are not familiar with static control procedures, reference A-B publication 8000-4.5.2, “Guarding Against Electrostatic Damage” or any other applicable ESD protection handbook.

To avoid a shock hazard, assure that all power to the drive has been removed before proceeding with the following procedure. In addition, verify that the DC bus has discharged by measuring across the “+ DC” and “– DC” terminals of TB1 with a voltmeter. The voltage should be 0.0V DC.



Remove and lock-out all incoming power to the drive. Remove the drive cover.

- ❑ **1** Locate and remove the two Main Control Board jumpers. For A1-A4 frame drives, jumpers are installed at pins 3 & 4 and 17 & 18 of J5. For all other drives, jumpers are installed at pins 3 & 4 and 17 & 18 of J2.
Important: Store the jumpers just removed in the "SPARES" location on the Main Control Board. If the Control Interface Board is removed at a later time these jumpers must be reinstalled. In addition, the [Input Mode] parameter will have to be programmed to "1."
- ❑ **2** On the Main Control Board, position the Control Interface Board over connectors J5 & J9 for A1-A4 frame drives or J2 & J3 for all other drives, observing correct orientation.
- ❑ **3** Carefully align the interface and control board connectors. Firmly press the interface board on to the Main Control Board until fully seated. Tighten the two captive screws to secure the board.
- ❑ **4** Set J1 and J2 on the interface board to correspond to the encoder voltage being used.



Wire and program the appropriate input modes as described in the 1336 IMPACT User Manual. Replace the drive cover.



Allen-Bradley, a Rockwell Automation Business, has been helping its customers improve productivity and quality for more than 90 years. We design, manufacture and support a broad range of automation products worldwide. They include logic processors, power and motion control devices, operator interfaces, sensors and a variety of software. Rockwell is one of the world's leading technology companies.

Worldwide representation.

Argentina • Australia • Austria • Bahrain • Belgium • Bolivia • Brazil • Bulgaria • Canada • Chile • China, PRC • Columbia • Costa Rica • Croatia • Cyprus • Czech Republic • Denmark • Ecuador • Egypt • El Salvador • Finland • France • Germany • Ghana • Greece • Guatemala • Honduras • Hong Kong • Hungary • Iceland • India • Indonesia • Iran • Ireland • Israel • Italy • Jamaica • Japan • Jordan • Korea • Kuwait • Lebanon • Malaysia • Mexico • Netherlands • New Zealand • Norway • Pakistan • Peru • Philippines • Poland • Portugal • Puerto Rico • Qatar • Romania • Russia-CIS • Saudi Arabia • Singapore • Slovakia • Slovenia • South Africa, Republic • Spain • Sweden • Switzerland • Taiwan • Thailand • Turkey • United Arab Emirates • United Kingdom • United States • Uruguay • Venezuela

Allen-Bradley Headquarters, 1201 South Second Street, Milwaukee, WI 53204 USA, Tel: (1) 414 382-2000 Fax: (1) 414 382-4444