

Allen-Bradley 1336 IMPACT IP 20 (NEMA Type 1) Enclosure Kit Installation

Cat. Nos. 1336E-AA2-AA7
1336E-AE2-AE7

This publication will guide you through installation of an IP 20 (NEMA Type 1) Enclosure Kit (1336E-AAx), or an IP 20 (NEMA Type 1) EMC Enclosure Kit (1336-AEx). For additional information, refer to the 1336 IMPACT User Manual — 1336 IMPACT-5.0.

Installation



ATTENTION: This drive contains ESD (Electrostatic Discharge) sensitive parts and assemblies. Static control precautions are required when installing, testing, servicing or repairing this assembly. Component damage may result if ESD control precautions are not followed. If you are not familiar with static control procedures, reference AB publication 8000-4.5.2, "Guarding Against Electrostatic Damage" or any other applicable ESD protection handbook.



ATTENTION: To avoid a shock hazard, assure that all power to the drive has been removed before proceeding with the following procedure. In addition, verify that the DC bus has discharged by measuring across the "+DC" and "-DC" terminals of TB1 with a voltmeter. The voltage should be 0.0V DC.



ATTENTION: When a drive mounted HIM is not supplied on enclosed IP 20 (NEMA Type 1) drives, the blank cover plate (option HAB) must be installed to close the opening in the front cover of the enclosure. Failure to install a blank cover plate to close the enclosure front cover opening allows access to live electrical parts which may result in personal injury and/or equipment damage.

When a drive mounted HIM is supplied with enclosed IP 20 drives but has been removed from its mounting cradle for remote operation, the blank cover plate must be installed in place of the HIM.

AB PLUS

Access to the top, bottom, and side of the drive chassis is required to assemble the kit. If the open chassis drive is already installed, remove & lock-out all power to the drive, then label & disconnect all wiring. External wiring will have to be rerouted through enclosure knockouts once the kit has been installed.

**Figure 1 —
Enclosure Kits 1336E – AA2 & AA3**

1. Mount the top, bottom & side plates to the chassis using the supplied screws. Tighten all screws to 1.7N-m (15lb.-in.).
2. Install the front cover by sliding it up then down to engage the slots into the angled tabs. Swing the cover bottom in and secure it with the captive screw. Tighten to 0.7N-m (6 lb.-in.).

**Figure 2 —
EMC Enclosure Kits 1336E – AE2 & AE3**

1. Mount the bottom plate to the chassis using the supplied screws.
2. Slide the enclosure assembly over the chassis as shown.
3. Fasten the assembly to the chassis using the supplied screws. Tighten all screws to 1.7N-m (15lb.-in.).

**Figure 3 —
Enclosure Kits 1336E – AA4 & AA5**

1. Slide the side plates over the chassis tabs as shown.
2. Attach the top & bottom plates to the side plates by sliding the tabs into the corresponding slots. Fasten the assembly to the chassis using the supplied screws. Tighten all screws to 1.5N-m (13lb.-in.).
3. Install the front cover by sliding it up then down to engage the slots in the angled tabs. Swing the cover bottom in and secure it with the captive screw. Tighten to 0.7N-m (6 lb.-in.).

**Figure 4 —
EMC Enclosure Kits 1336E – AE4 & AE5**

1. Mount the bottom plate to the chassis using the supplied screws.
2. Slide the enclosure assembly over the chassis as shown.
3. Fasten the assembly to the chassis using the supplied screws. Tighten all screws to 1.5N-m (13lb.-in.).

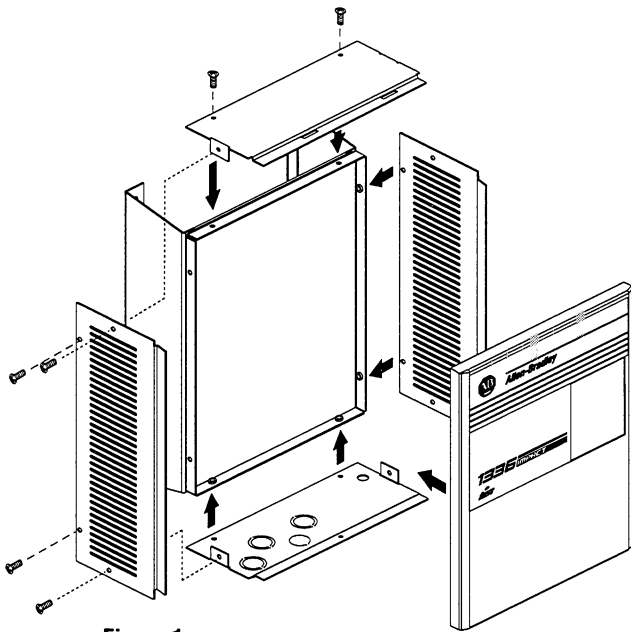


Figure 1
Enclosure Kits 1336E – AA2 & AA3

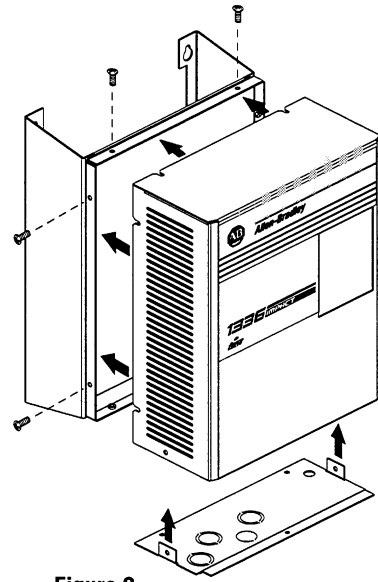


Figure 2
EMC Enclosure Kits 1336E – AE2 & AE3

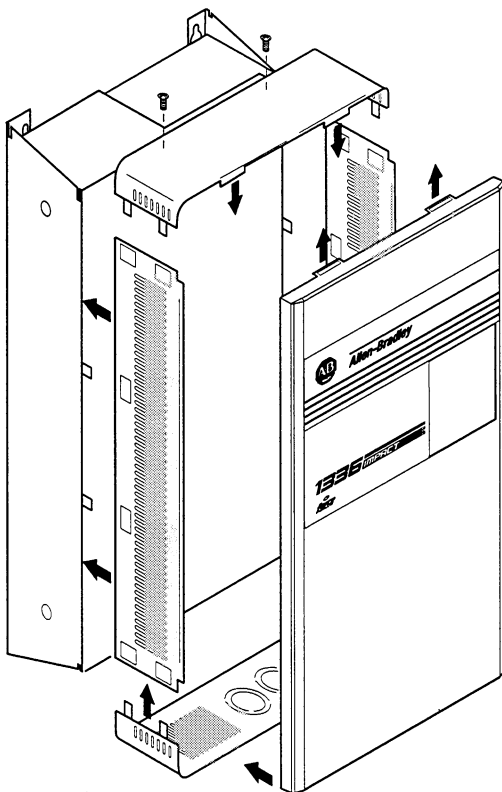


Figure 3
Enclosure Kits 1336E – AA4 & AA5

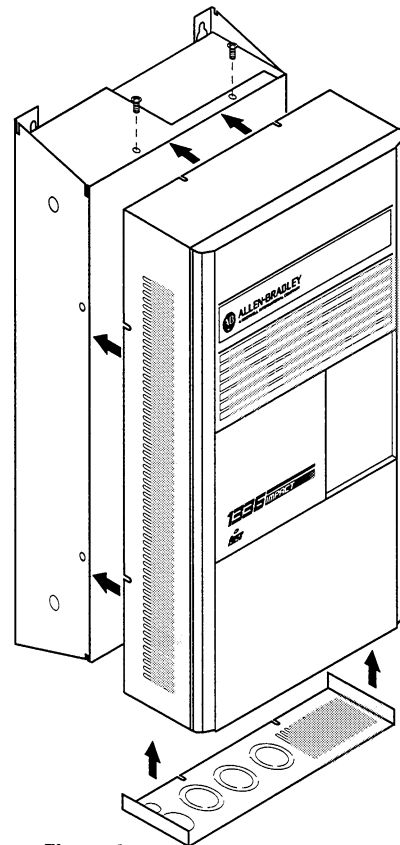


Figure 4
EMC Enclosure Kits 1336E-AE4 & AE5

AB PLCs

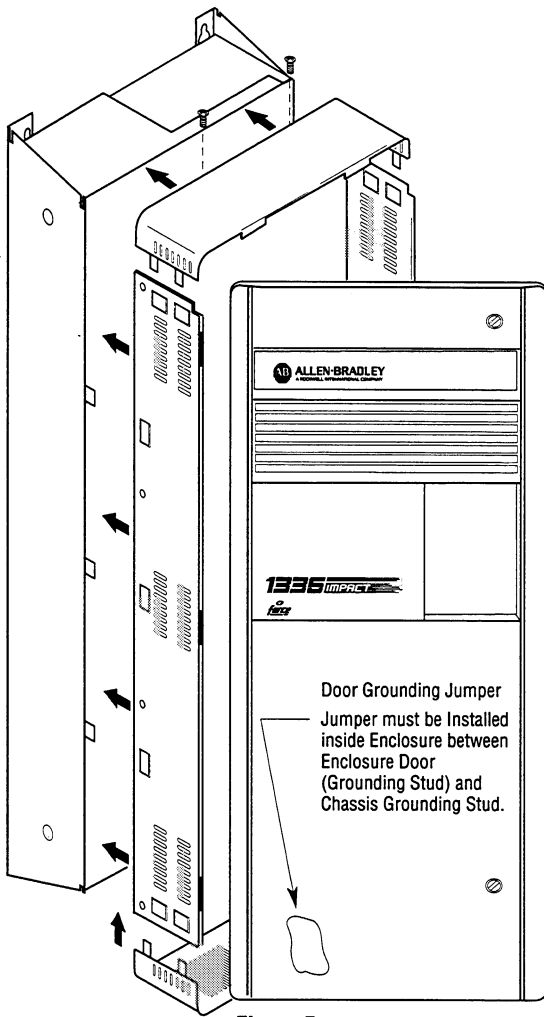


Figure 5
Enclosure Kits 1336E-AA6 & AA7
EMC Enclosure Kits 1336E-AE6 & AE7

Figure 5 —
Enclosure Kits 1336E – AA6 & AA7
EMC Enclosure Kits 1336E – AE6 & AE7

1. Slide the side plates over the chassis tabs as shown.
2. Attach the top & bottom plates to the side plates by sliding the tabs into the corresponding slots. Fasten the assembly to the chassis using the supplied screws. Tighten all screws to 1.5N-m (13lb.-in.).
3. Install the door on the side plate hinge pins.
4. For EMC Enclosure Kits, locate the supplied jumper wire and fasten one end to the chassis ground stud. The other end must be fastened to the stud located in the lower corner of the door.



Allen-Bradley, a Rockwell Automation Business, has been helping its customers improve productivity and quality for more than 90 years. We design, manufacture and support a broad range of automation products worldwide. They include logic processors, power and motion control devices, operator interfaces, sensors and a variety of software. Rockwell is one of the world's leading technology companies.

Worldwide representation.



Argentina • Australia • Austria • Bahrain • Belgium • Bolivia • Brazil • Bulgaria • Canada • Chile • China, PRC • Columbia • Costa Rica • Croatia • Cyprus • Czech Republic • Denmark
 Ecuador • Egypt • El Salvador • Finland • France • Germany • Ghana • Greece • Guatemala • Honduras • Hong Kong • Hungary • Iceland • India • Indonesia • Iran • Ireland • Israel • Italy
 Jamaica • Japan • Jordan • Korea • Kuwait • Lebanon • Malaysia • Mexico • Netherlands • New Zealand • Norway • Pakistan • Peru • Philippines • Poland • Portugal
 Puerto Rico • Qatar • Romania • Russia-CIS • Saudi Arabia • Singapore • Slovakia • Slovenia • South Africa, Republic • Spain • Sweden • Switzerland • Taiwan • Thailand
 Turkey • United Arab Emirates • United Kingdom • United States • Uruguay • Venezuela

Allen-Bradley Headquarters, 1201 South Second Street, Milwaukee, WI 53204 USA, Tel: (1) 414 382-2000 Fax: (1) 414 382-4444