



1336 PLUS, 1336 PLUS II , 1336 FORCE™ & 1336 IMPACT™ Ribbon Cable Kit 1336-RCBL-SP1A

This publication will guide you through installation of a 1336-RCBL-SP1A Ribbon Cable and Ferrite Clamp Kit.

Kit Contents

This kit contains the following components:

Part No.	Description	Qty
191119	Instruction Sheet	1
22530-907-01	Ferrite Clamp	1
184833	Ribbon Cable	1
133256	Wrist Strap	1

Installation



ATTENTION: This drive contains ESD (Electrostatic Discharge) sensitive parts and assemblies. Static control precautions are required when installing, testing, servicing or repairing this assembly. Component damage may result if ESD control procedures are not followed. If you are not familiar with static control procedures, reference A-B publication 8000-4.5.2, “Guarding Against Electrostatic Damage” or any other applicable ESD protection handbook.



ATTENTION: To avoid a shock hazard, assure that all power to the drive has been removed before proceeding with the following procedure. In addition, verify that the DC bus has discharged by measuring across the “+DC” and “-DC” terminals of TB1 with a voltmeter. The voltage should be 0.0VDC.

This kit provides a ferrite core to be installed on the flat ribbon cable between the Main Control Board and the Gate Driver Board on Common Bus 1336 Drives. The ferrite core is delivered as a ferrite clamp assembly with a hinged case to allow it to be clamped over the ribbon cable.

Install the clamp assembly as follows:

1. With the supplied wrist strap properly grounded, remove the cover from the drive.
2. On B frame drives, remove the ribbon cable and install the new cable provided in the kit. Note: It is only necessary to use the new cable on B frame drives. All other frames can use their existing cable.

3. Open the clamp assembly by triggering the tabs on the non-hinged end of the case.
4. Install the clamp over the open portion of the cable between the boards as shown in the following figure. Snap the locking tabs into place to secure the clamp assembly to the cable.

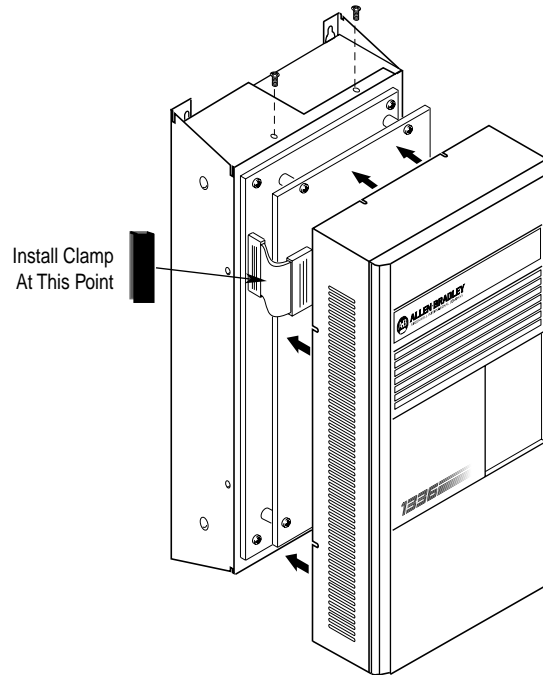


Figure 1
Ferrite Clamp Installation

5. Push the clamp assembly and ribbon cable back between the boards as far as possible. The cable and clamp must not protrude out to interfere with the cover.
6. Reinstall the cover on the drive, making certain the cover clears the cable/clamp assembly during reinstallation.



Rockwell Automation helps its customers receive a superior return on their investment by bringing together leading brands in industrial automation, creating a broad spectrum of easy-to-integrate products. These are supported by local technical resources available worldwide, a global network of system solutions providers, and the advanced technology resources of Rockwell.

Worldwide representation.



Argentina • Australia • Austria • Bahrain • Belgium • Bolivia • Brazil • Bulgaria • Canada • Chile • China, People's Republic of • Colombia • Costa Rica • Croatia • Cyprus • Czech Republic • Denmark • Dominican Republic • Ecuador • Egypt • El Salvador • Finland • France • Germany • Ghana • Greece • Guatemala • Honduras • Hong Kong • Hungary • Iceland • India • Indonesia • Iran • Ireland • Israel • Italy • Jamaica • Japan • Jordan • Korea • Kuwait • Lebanon • Macau • Malaysia • Malta • Mexico • Morocco • The Netherlands • New Zealand • Nigeria • Norway • Oman • Pakistan • Panama • Peru • Philippines • Poland • Portugal • Puerto Rico • Qatar • Romania • Russia • Saudi Arabia • Singapore • Slovakia • Slovenia • South Africa, Republic of • Spain • Sweden • Switzerland • Taiwan • Thailand • Trinidad • Tunisia • Turkey • United Arab Emirates • United Kingdom • United States • Uruguay • Venezuela

Rockwell Automation Headquarters, 1201 South Second Street, Milwaukee, WI 53204-2496 USA, Tel: (1) 414 382-2000, Fax: (1) 414 382-4444