



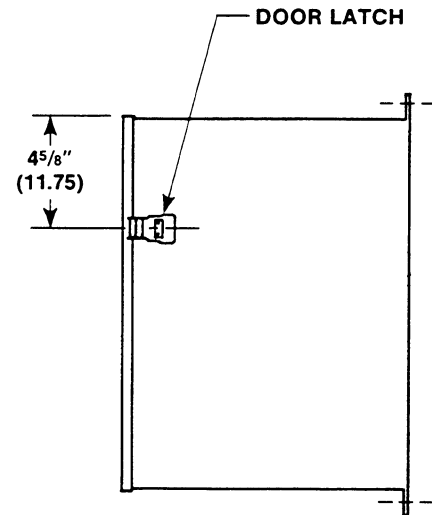
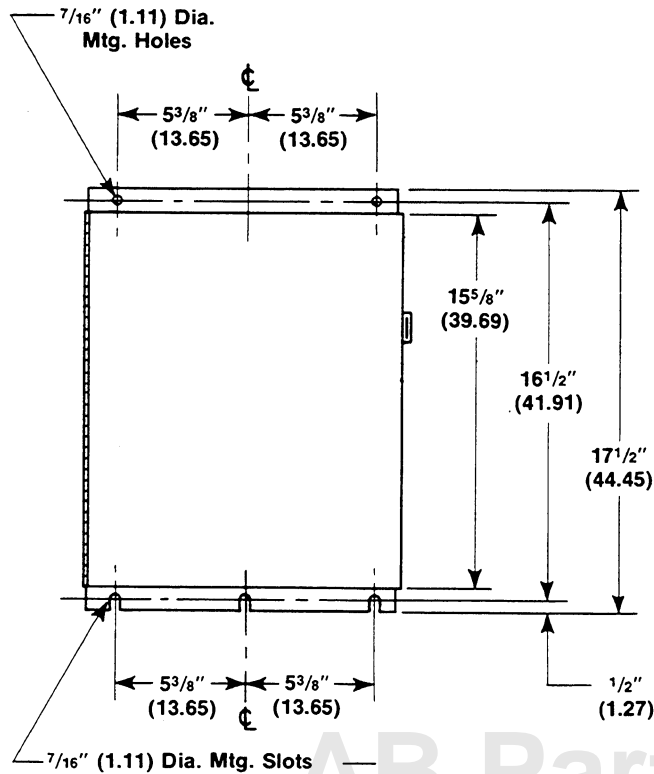
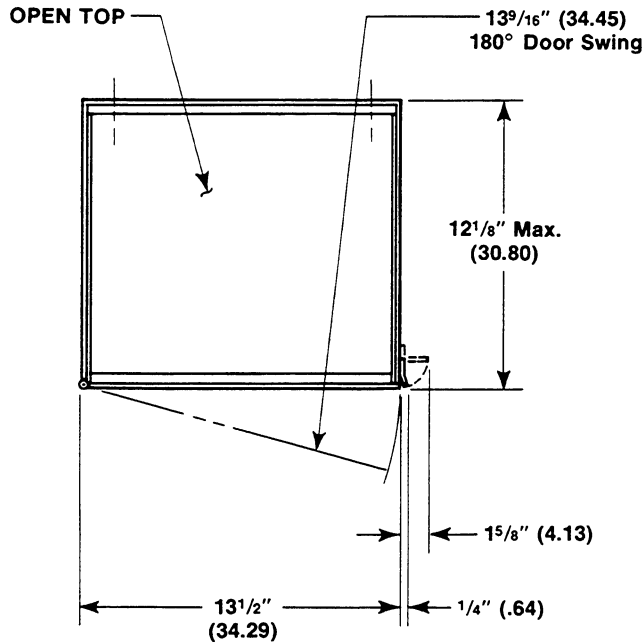
OUTLINE DRAWING OF BULLETIN 1379

Module Enclosure 105A DC

Approximate Dimensions in Inches and Centimeters

Approximate Weight: 60 Lbs. (27.22 Kg.)

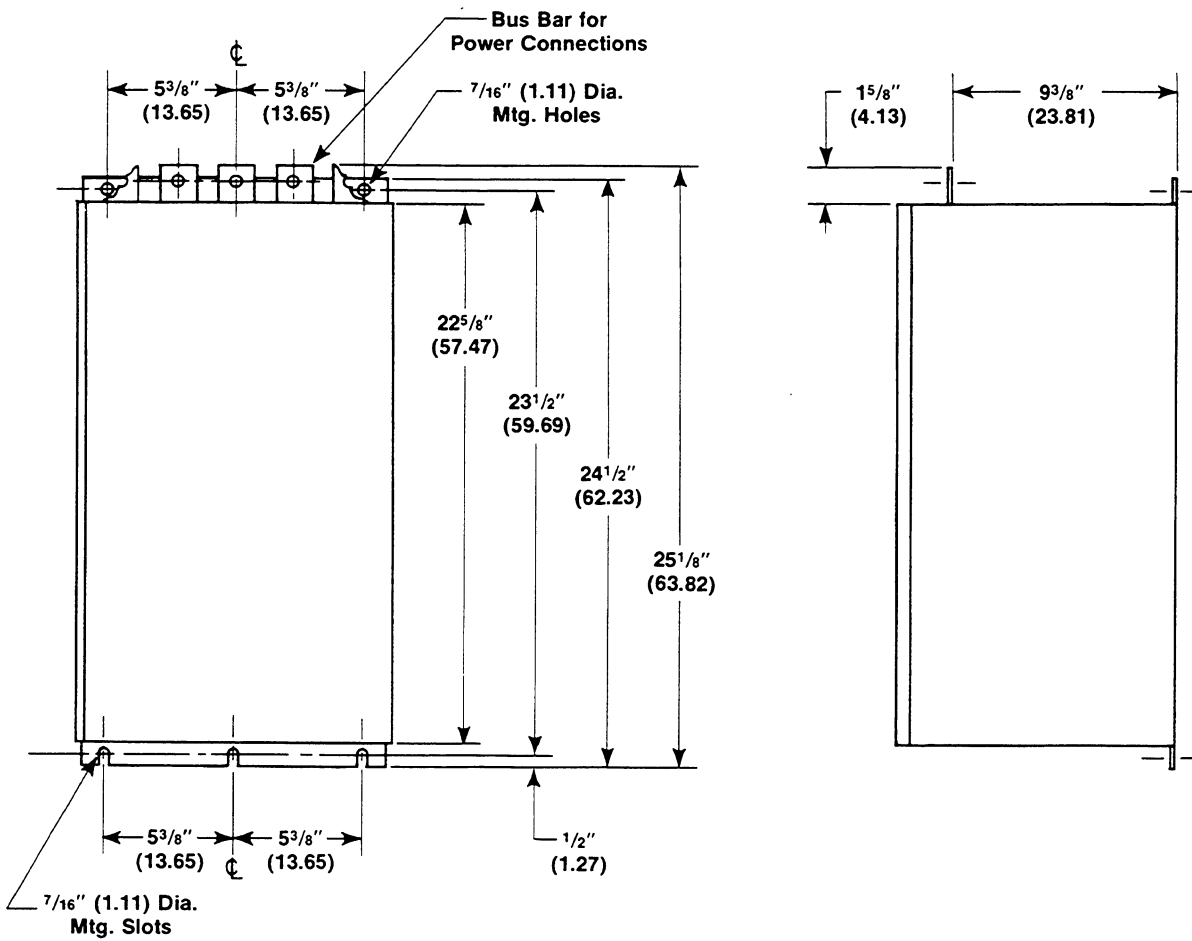
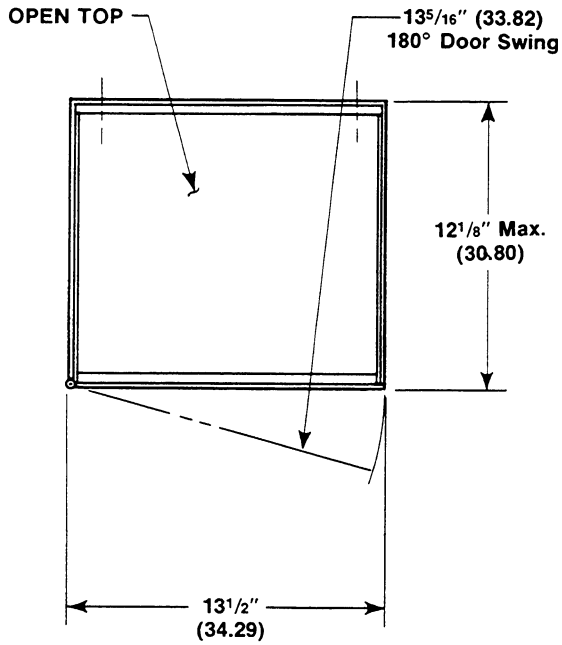
Series "A" Construction



AB Parts



Module Enclosure 250A & 345A DC
Approximate Dimensions in Inches and Centimeters
Approximate Weight: 87 Lbs. (39.46 Kg.)
Series "A" Construction



OPTIONS

CONTACTORS

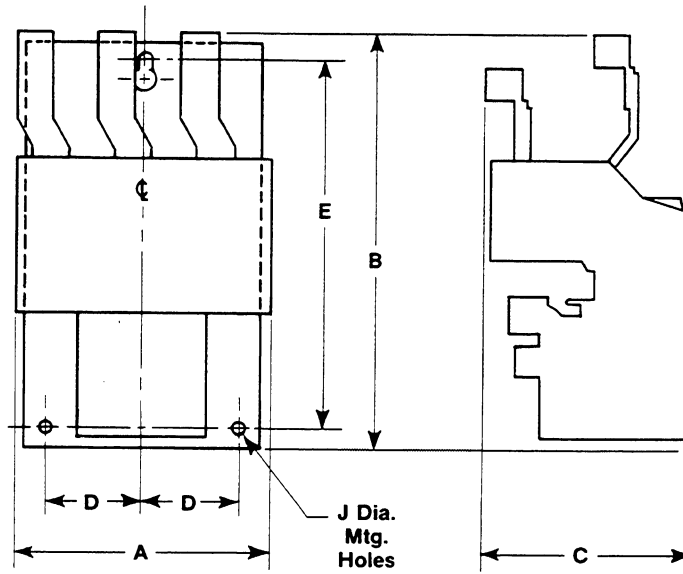


Figure 1.

NON-REVERSING

HP		Current (Amperes)	Catalog No.	Fig. No.	A	B	C	D	E	J	Approximate Ship Wt. Lbs. (kg)
240V Arm.	500V Arm.										
7 ¹ / ₂	7 ¹ / ₂ -15	30	1379-NC30	1	2 ¹⁵ / ₁₆ (7.46)	6 ¹ / ₂ (16.51)	3 ⁹ / ₁₆ (9.04)	1 ⁵ / ₁₆ (2.38)	6 (15.24)	3 ¹ / ₁₆ (0.47)	3 ¹ / ₄ (1.49)
10-15	20-30	56	1379-NC56	1	3 ³ / ₄ (9.52)	7 ³ / ₄ (19.68)	3 ⁹ / ₁₆ (9.04)	1 ⁵ / ₁₆ (2.38)	6 ³ / ₄ (17.14)	3 ¹ / ₁₆ (0.47)	4 (1.71)
20-30	40-60	110	1379-NC110	1	5 ¹ / ₂ (13.97)	10 ¹ / ₄ (26.03)	5 ¹ / ₄ (13.33)	1 ¹ / ₂ (3.81)	9 (22.86)	9 ⁹ / ₃₂ (0.71)	11 (4.70)
40-60	75-125	210	1379-NC210	1	6 ¹ / ₈ (15.55)	11 ⁵ / ₈ (29.52)	6 ¹ / ₂ (16.51)	1 ⁷ / ₈ (4.76)	10 (25.40)	1 ¹¹ / ₃₂ (0.87)	19 (8.13)
75-100	150-200	360	1379-NC360	1	9 ¹ / ₈ (23.17)	15 ³ / ₁₆ (38.57)	7 ⁵ / ₈ (19.36)	3 ¹ / ₂ (8.89)	13 ¹ / ₂ (34.29)	1 ⁹ / ₃₂ (1.03)	45 (19.26)

NON-REVERSING WITH DYNAMIC BRAKING POLE

HP		Current (Amperes)	Catalog No.	Fig. No.	A	B	C	D	E	J	Approximate Ship Wt. Lbs. (kg)
240V Arm.	500V Arm.										
7 ¹ / ₂	7 ¹ / ₂ -15	30	1379-DC30	1	3 ⁷ / ₈ (9.84)	6 ⁹ / ₁₆ (16.66)	3 ⁵ / ₈ (9.20)	1 ⁵ / ₁₆ (2.38)	6 (15.24)	7 ⁷ / ₃₂ (0.55)	4 (1.71)
10-15	20-30	56	1379-DC56	1	5 (12.70)	7 ¹¹ / ₁₆ (19.52)	3 ⁵ / ₈ (9.20)	1 ⁵ / ₁₆ (2.38)	6 ³ / ₄ (17.14)	3 ¹ / ₁₆ (0.47)	5 (2.14)
20-30	40-60	110	1379-DC110	1	7 ¹ / ₄ (18.41)	10 ³ / ₈ (26.35)	5 ¹ / ₄ (13.33)	1 ¹ / ₂ (3.81)	9 (22.86)	9 ⁹ / ₃₂ (0.71)	13 (5.56)
40-60	75-125	210	1379-DC210	1	8 ¹ / ₈ (20.63)	11 ¹³ / ₁₆ (30.00)	6 ³ / ₈ (16.19)	1 ⁷ / ₈ (4.76)	10 ¹ / ₁₆ (25.55)	1 ¹¹ / ₃₂ (0.87)	22 (9.41)
75-100	150-200	360	1379-DC360	1	9 ¹ / ₂ (24.13)	15 ³ / ₁₆ (38.57)	7 ¹ / ₂ (19.05)	3 ¹ / ₂ (8.89)	13 ¹ / ₂ (34.29)	9 ⁹ / ₃₂ (0.71)	47 (20.11)

OPTIONS CONTACTORS

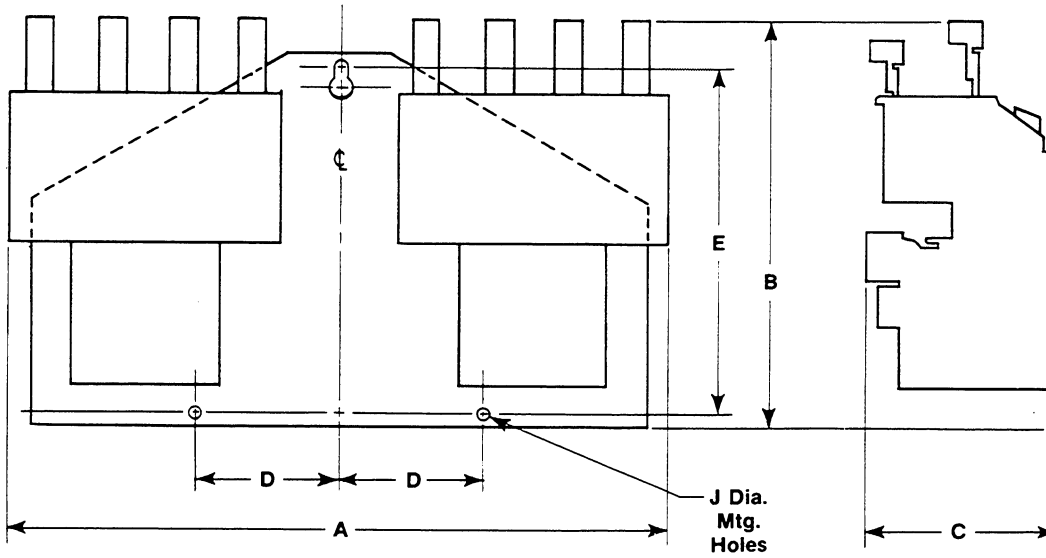


Figure 2.

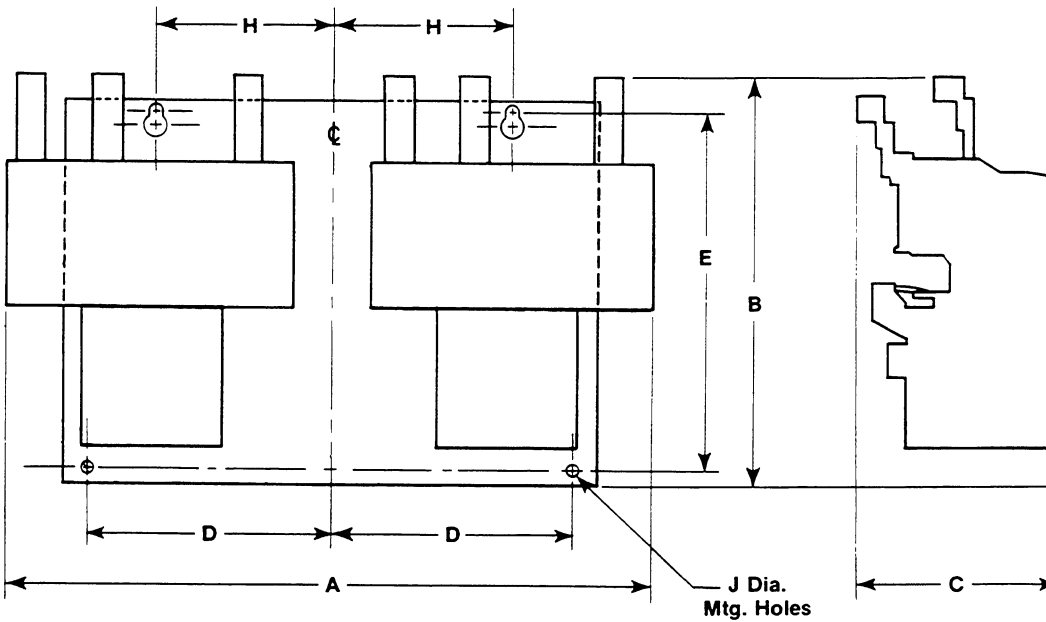


Figure 3.

REVERSING WITH DYNAMIC BRAKING POLE

HP		Current (Amperes)	Catalog No.	Fig. No.	A	B	C	D	E	J	H	Approx. Ship Wt. Lbs. (kg)
240V Arm.	500V Arm.											
7½	7½-15	30	1379-RC30	2	9 (22.86)	6 ⁵ / ₁₆ (16.03)	2 ³ / ₄ (9.52)	2 ⁵ / ₈ (6.66)	5 ³ / ₄ (14.60)	7 ⁷ / ₃₂ (0.55)	N/A	9 (3.85)
10-15	20-30	56	1379-RC56	2	11 ¹ / ₄ (28.57)	7 ³ / ₁₆ (18.25)	3 ⁷ / ₁₆ (8.73)	2 ⁵ / ₈ (6.66)	6 ¹ / ₂ (16.51)	3 ³ / ₁₆ (0.47)	N/A	12 (5.13)
20-30	40-60	110	1379-RC110	3	16 ¹ / ₄ (41.27)	10 ³ / ₈ (26.35)	5 ¹ / ₂ (13.97)	6 ¹ / ₈ (15.55)	9 (22.86)	5 ⁵ / ₁₆ (0.79)	4 ¹ / ₂ (11.34)	29 (12.41)
40-60	75-125	210	1379-RC210	3	17 ⁷ / ₁₆ (44.29)	14 ¹ / ₂ (36.83)	6 ³ / ₈ (16.19)	6 ¹¹ / ₃₂ (16.11)	10 ¹ / ₁₆ (25.56)	5 ⁵ / ₁₆ (0.79)	4 ¹⁹ / ₃₂ (11.67)	45 (19.26)
75-100	150-200	360	1379-RC360	3	18 ⁷ / ₈ (47.94)	15 ³ / ₈ (39.05)	7 ³ / ₈ (18.73)	8 ¹ / ₂ (21.59)	13 ⁵ / ₈ (34.61)	7 ⁷ / ₁₆ (1.11)	5 (12.7)	92 (39.37)

OPTIONS

DYNAMIC BRAKING RESISTORS

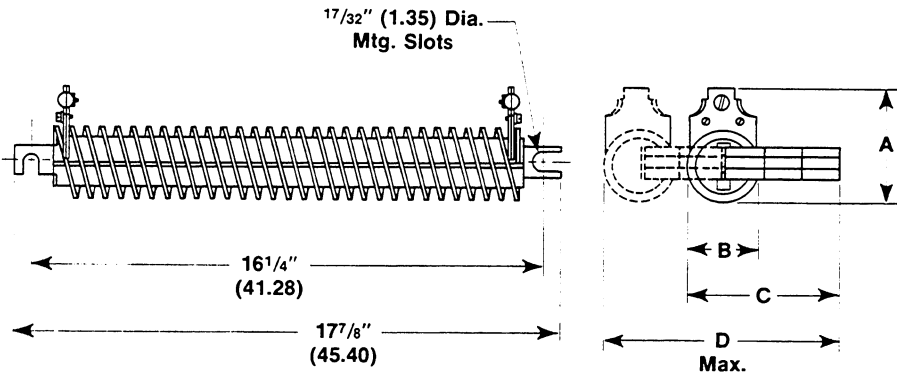


Figure 1.

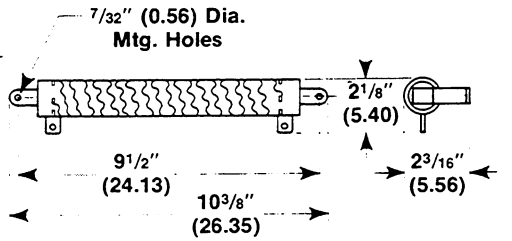


Figure 2.

Motor Armature Voltage	HP	Cat. No.	Fig. No.	A	B	C	D Max.	Qty.
240 Volts DC	7 1/2	1379-DBL66	1	2 7/16 (6.19)	1 5/8 (4.13)	4 9/16 (11.59)	N/A	1
			2	N/A				1
	10	1379-DBL67	1	2 7/16 (6.19)	1 5/8 (4.13)	3 5/16 (8.42)	N/A	1
	15	1379-DBL68	1	2 1/2 (6.35)	1 3/4 (4.45)	3 3/8 (8.57)	N/A	1
	20	1379-DBL69	1	2 9/16 (6.51)	1 7/8 (4.76)	3 7/16 (8.73)	N/A	1
	25	1379-DBL70	1	2 9/16 (6.51)	1 7/8 (4.76)	3 7/16 (8.73)	N/A	1
	30	1379-DBL71	1	2 1/2 (6.35)	1 3/4 (4.45)	3 3/8 (8.57)	5 7/8 (14.92)	2
	40	1379-DBL72	1	3 1/8 (7.94)	1 7/8 (4.76)	4 11/16 (11.91)	N/A	1
			2	N/A				1
	50	1379-DBL73	1	3 1/8 (7.94)	1 7/8 (4.76)	3 7/16 (8.73)	N/A	1
	60	1379-DBL74	1	2 9/16 (6.51)	1 7/8 (4.76)	3 7/16 (8.73)	5 15/16 (15.08)	2
	75	1379-DBL75	1	3 1/8 (7.94)	1 7/8 (4.76)	3 7/16 (8.73)	5 15/16 (15.08)	2
	100	1379-DBL76	1	3 1/8 (7.94)	1 7/8 (4.76)	3 7/16 (8.73)	5 15/16 (15.08)	2

NOTE — Resistor mounting hardware supplied in each kit.

Approx. Ship Wt. Lbs. (kg)

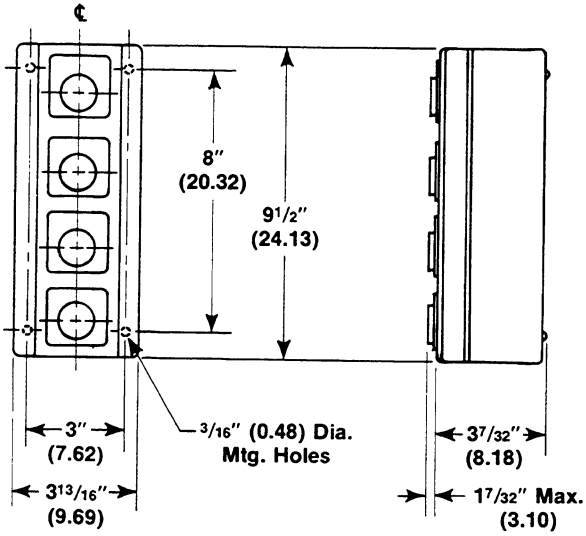
Fig. No. 1 (each) 5 (2.14 kg)

Fig. No. 2 (each) 1 (.43 kg)

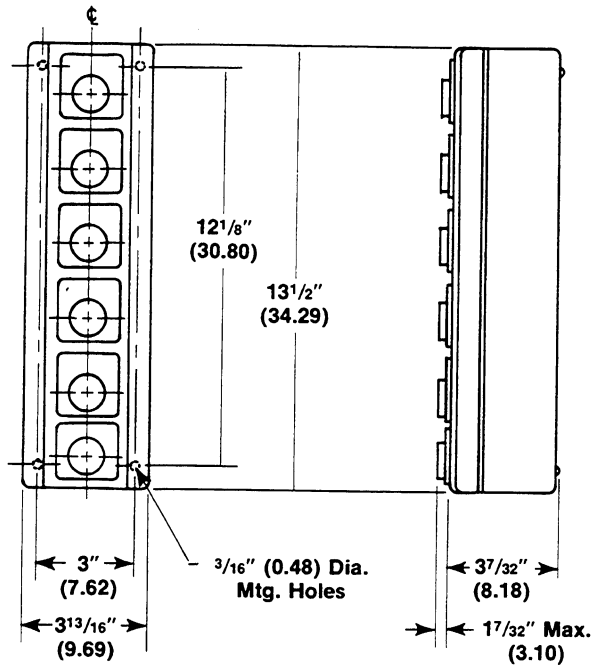
Motor Armature Voltage	HP	Cat. No.	Fig. No.	A	B	C	D Max.	Qty.
500 Volts DC	7 1/2	1379-DBH66	1	2 5/8 (6.68)	2 1/16 (5.24)	4 13/16 (12.23)	N/A	1
			2	N/A				1
	10	1379-DBH67	1	2 5/8 (6.68)	2 1/16 (5.24)	4 13/16 (12.23)	N/A	1
			2	N/A				1
	15	1379-DBH68	1	2 7/16 (6.19)	1 5/8 (4.13)	4 9/16 (11.59)	N/A	1
			2	N/A				1
	20	1379-DBH69	1	2 7/16 (6.19)	1 5/8 (4.13)	4 9/16 (11.59)	N/A	1
			2	N/A				1
	25	1379-DBH70	1	2 1/2 (6.35)	1 3/4 (4.45)	3 3/8 (8.57)	5 7/8 (14.92)	2
	30	1379-DBH71	1	2 1/2 (6.35)	1 3/4 (4.45)	4 5/8 (11.75)	N/A	1
			2	N/A				1
	40	1379-DBH72	1	3 1/8 (7.94)	1 7/8 (4.76)	3 7/16 (8.73)	8 7/16 (21.43)	3
	50	1379-DBH73	1	2 9/16 (6.51)	1 7/8 (4.76)	3 7/16 (8.73)	5 15/16 (15.08)	2
	60	1379-DBH74	1	2 3/16 (6.51)	1 7/8 (4.76)	3 7/16 (8.73)	5 15/16 (15.08)	2
	75	1379-DBH75	1	3 1/8 (7.94)	1 7/8 (4.76)	3 7/16 (8.73)	5 15/16 (15.08)	2
	100	1379-DBH76	1	3 1/8 (7.94)	1 7/8 (4.76)	3 7/16 (8.73)	5 15/16 (15.08)	2
	125	1379-DBH77	1	2 9/16 (6.51)	1 7/8 (4.76)	3 7/16 (8.73)	10 15/16 (27.78)	4
	150	1379-DBH78	1	3 1/8 (7.94)	1 7/8 (4.76)	3 7/16 (8.73)	10 15/16 (27.78)	4
	200	1379-DBH79	1	3 1/8 (7.94)	1 7/8 (4.75)	3 7/16 (8.73)	10 15/16 (27.78)	4

OPTIONS

OPERATOR CONTROL STATIONS

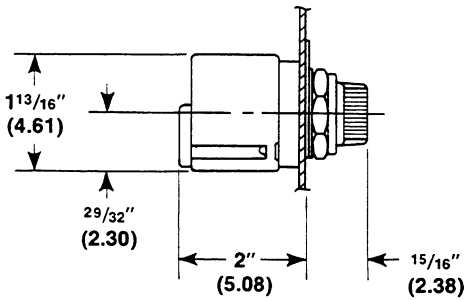


Catalog No. 800T-4TW80
Approx. Ship Wt. 3 Lbs. (1.28 kg)

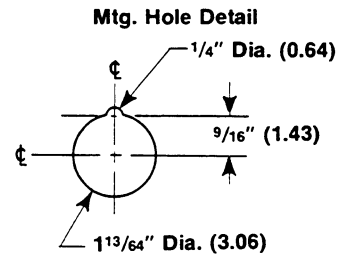


Catalog Nos.
800T-6TW81 800T-6TW83
800T-6TW82 800T-6TW84
Approx. Ship Wt. 4 Lbs. (1.71 kg)

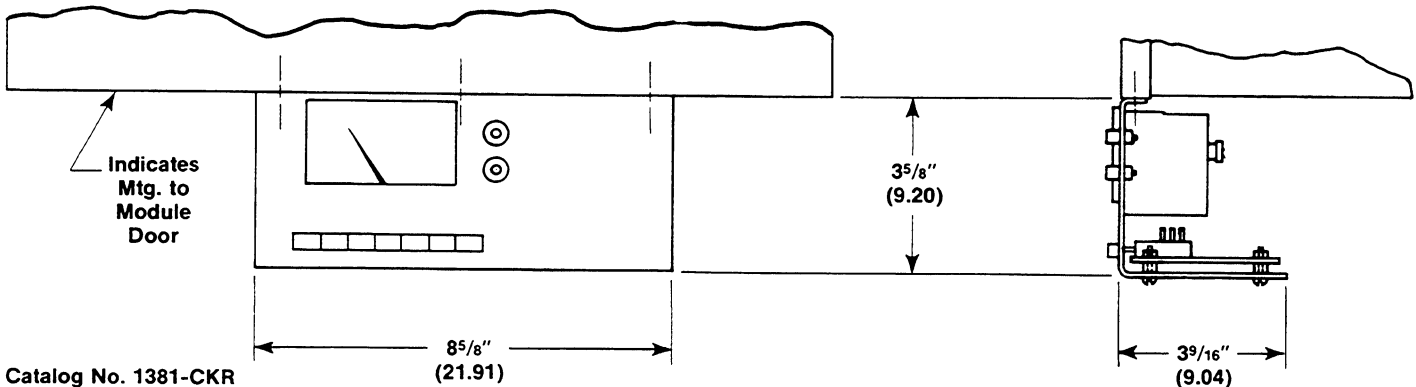
SPEED POTENTIOMETER WITH DIAL



Catalog No. 800T-U13
Approx. Ship Wt. 4 Oz. (0.11 kg)



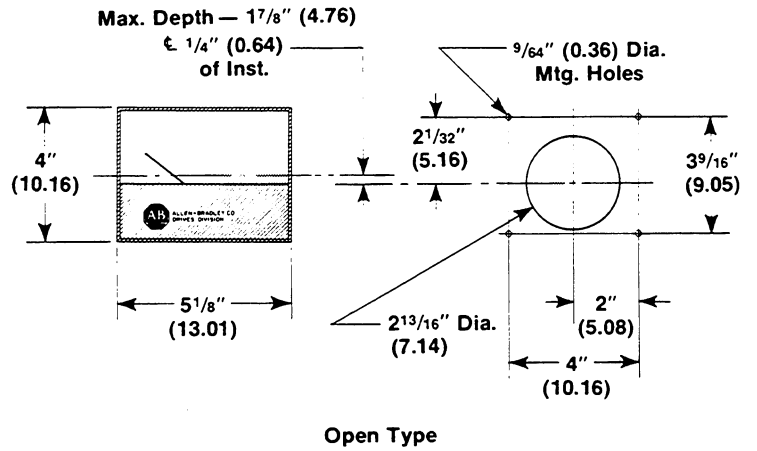
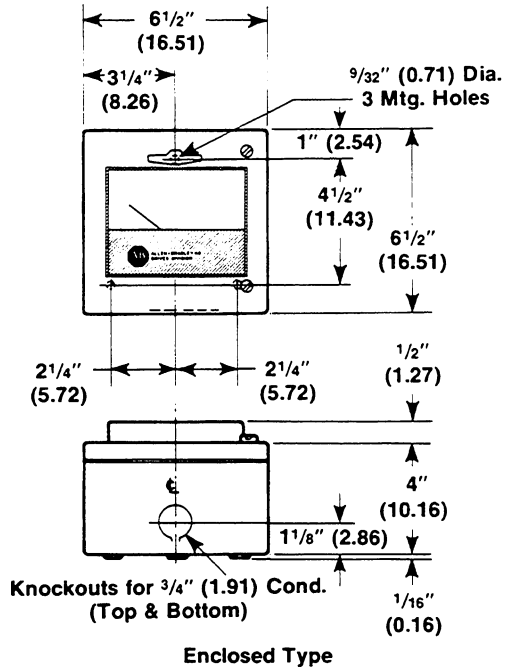
CIRCUIT CHECKER



Catalog No. 1381-CKR
Approx. Ship Wt. 2 Lbs. (.85 kg)

OPTIONS

SPEED INDICATOR/LOAD INDICATOR



SPEED INDICATOR (0-1mA)

Type of Speed Regulation	Enclosed Catalog No.	Open Catalog No.
Armature Voltage Feedback	1381-SA11	1381-S011
A.C. or D.C. Tachometer Feedback	1381-SA17	1381-S017

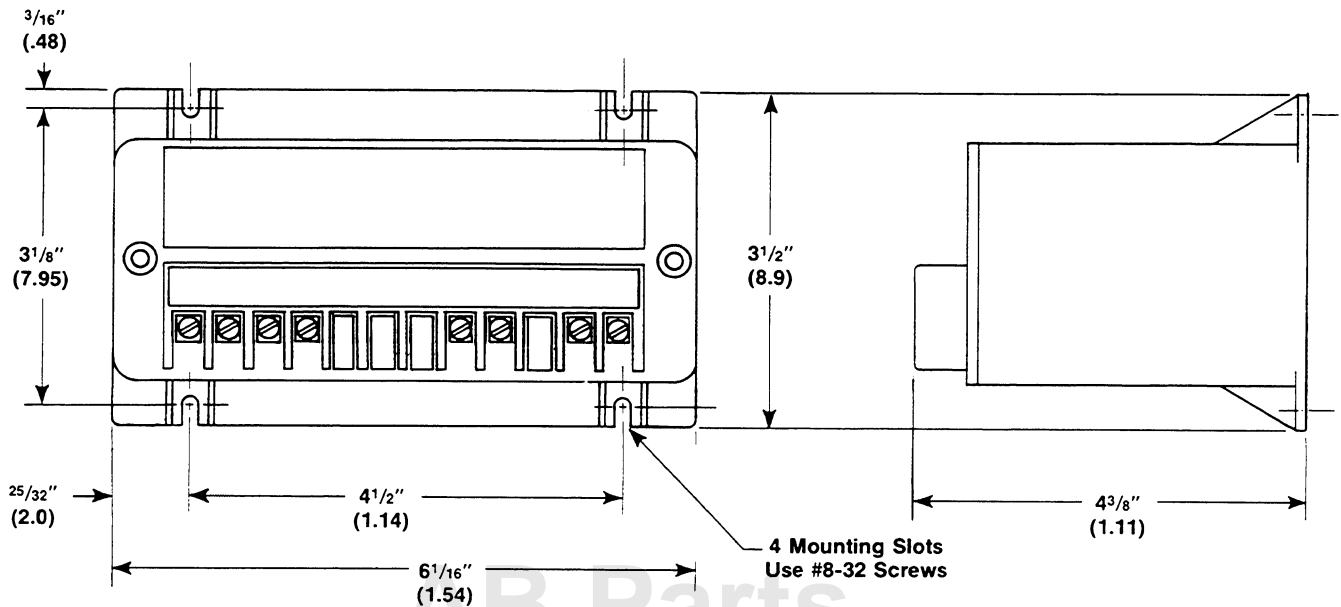
Approx. Ship Wt. 3 Lbs. (1.28 kg) 1 Lbs. (0.43 kg)

LOAD INDICATOR (0-50mV)

Type	Catalog Number
Open Style	1381-OL1
Enclosed	1381-AL1

Approx. Ship Wt. 1 Lbs. (0.43 kg)

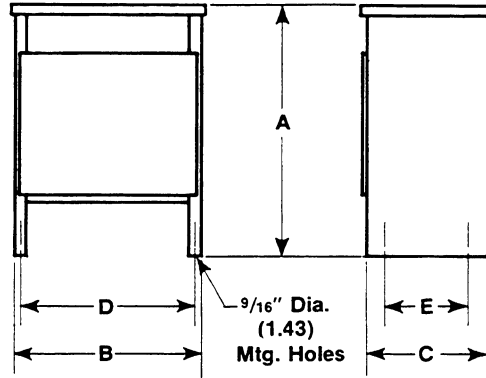
PROCESS INSTRUMENT FOLLOWER



Catalog No. 1381-PIF
 Approx. Ship Wt. 2 Lbs. (.85 kg)

OPTIONS

ISOLATION TRANSFORMERS



HP	KVA	A	B	C	D	E	Approx. Ship Wt. Lbs. (kg)
7.5	11	25 (63.50)	20 (50.80)	12 (30.48)	18 (45.72)	9 (22.86)	255 (109.14)
10	14	25 (63.50)	20 (50.80)	12 (30.48)	18 (45.72)	9 (22.86)	265 (113.42)
15	20	28 (71.12)	23 (58.42)	15 (38.10)	21 (53.34)	12 (30.48)	340 (145.52)
20	27	28 (71.12)	23 (58.42)	15 (38.10)	21 (53.34)	12 (30.48)	365 (156.22)
25	34	30 (76.20)	26 (66.04)	17 (43.18)	24 (60.96)	14 (35.56)	415 (177.62)
30	40	30 (76.20)	26 (66.04)	17 (43.18)	24 (60.96)	14 (35.56)	460 (196.88)
40	51	30 (76.20)	26 (66.04)	17 (43.18)	24 (60.96)	14 (35.56)	495 (211.86)
50	63	34 (86.36)	28 (71.12)	19 (48.26)	26 (66.04)	16 (40.64)	595 (254.66)
60	75	34 (86.36)	28 (71.12)	19 (48.26)	26 (66.04)	15 (40.64)	660 (292.48)
75	93	44 (111.76)	33 (83.82)	21 (53.34)	31 (78.74)	18 (45.72)	855 (365.94)
100	118	44 (111.76)	53 (83.82)	21 (53.34)	31 (78.74)	18 (45.72)	930 (398.04)
125	145	44 (111.76)	53 (83.82)	21 (53.34)	31 (78.74)	18 (45.72)	970 (415.16)
150	175	44 (111.76)	33 (83.82)	21 (53.34)	31 (78.74)	18 (45.72)	1035 (442.98)
200	220	46 (116.34)	38 (91.44)	24 (60.96)	34 (86.36)	21 (53.34)	1350 (577.80)



ALLEN-BRADLEY
Cedarburg, Wisconsin 53012

