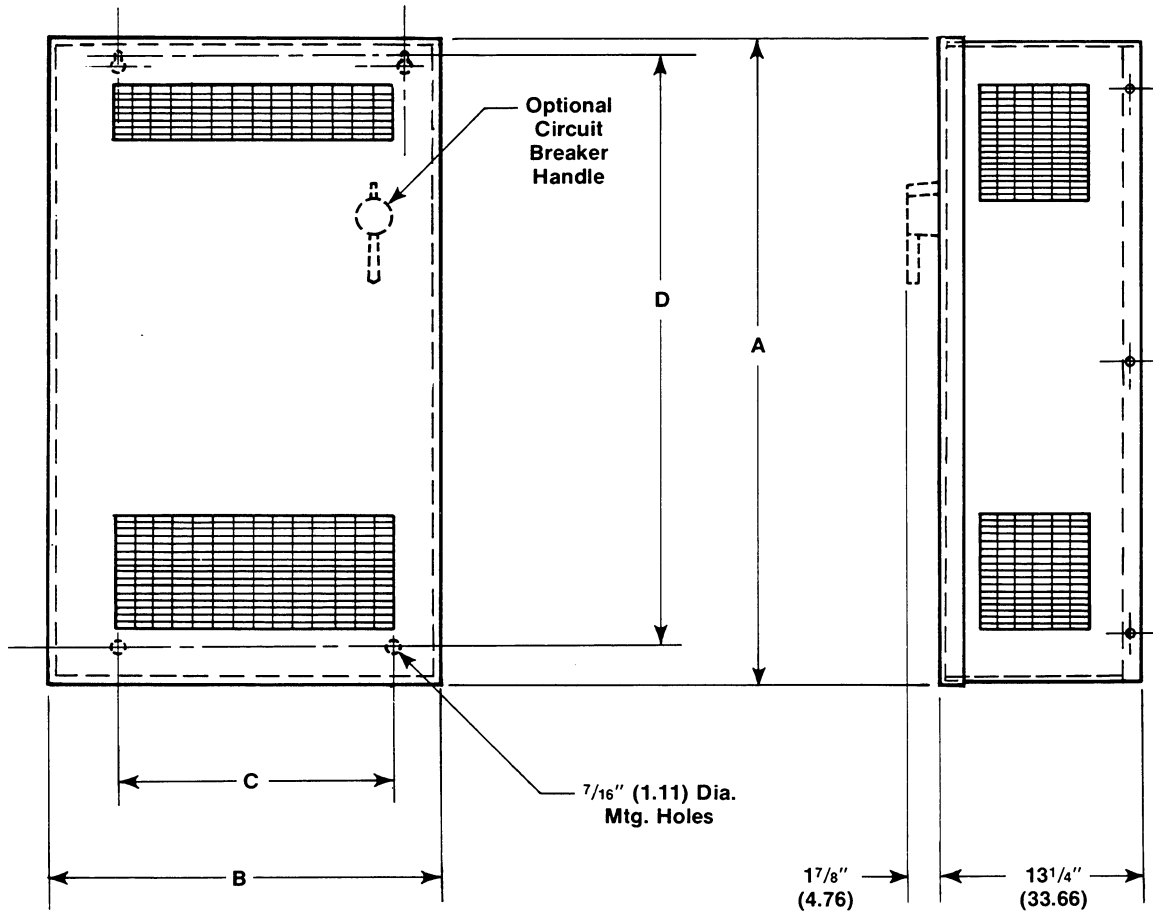




THREE PHASE PACKAGE DRIVES ■

NEMA TYPE 1 ENCLOSURE



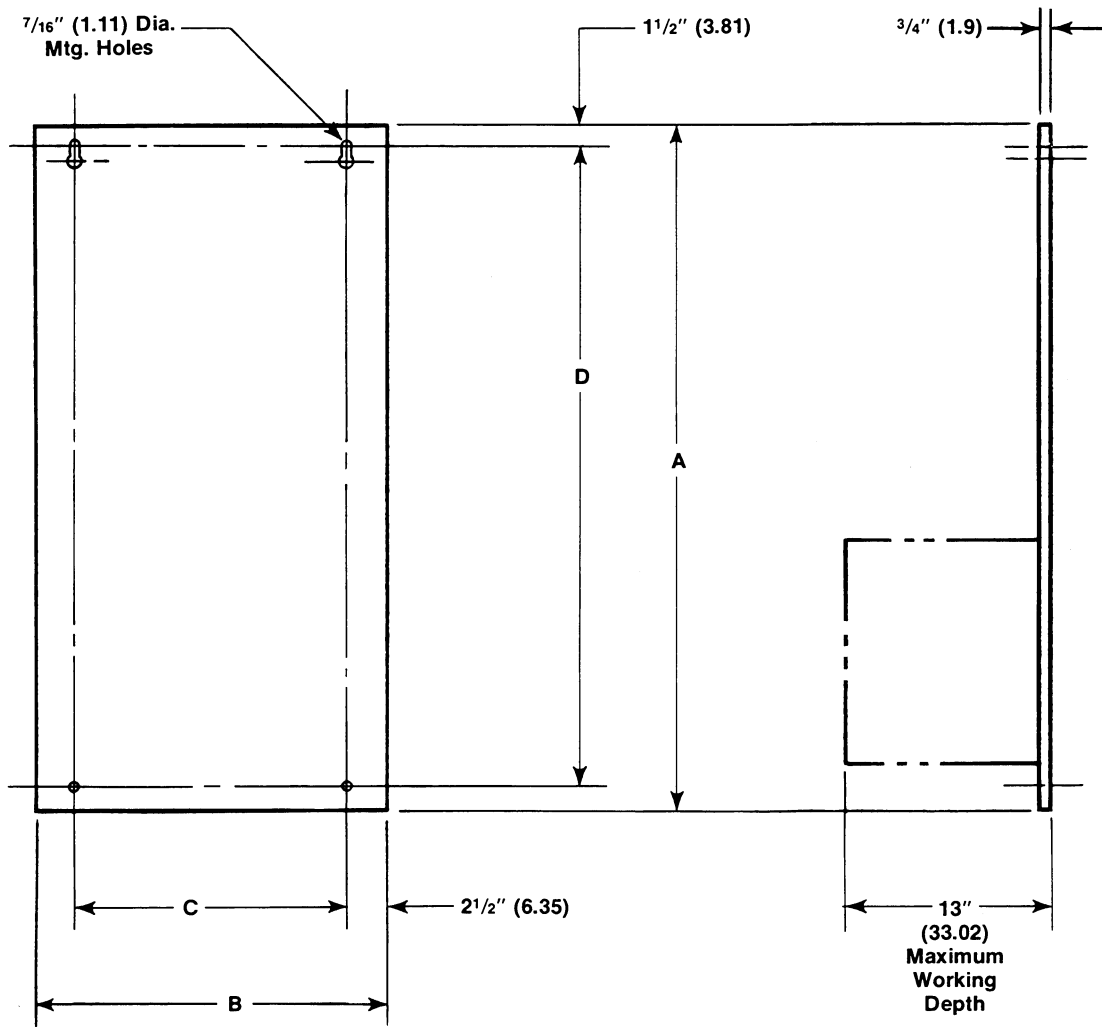
Note: 180° Door Swing B + 1/2" (1.27).

HP Rating	A	B	C	D	Approx. Ship Wt. Lbs. (kg)
7 1/2-60 HP (460V) 7 1/2-30 HP (230V)	39 (99.07)	23 3/8 (58.74)	17 (43.18)	35 1/2 (90.17)	190 (81.32)
75-125 HP (460V) 40-60 HP (230V)	46 (116.84)	27 3/8 (68.90)	21 (53.34)	42 1/2 (107.95)	270 (115.56)
150-200 HP (460V) 75-100 HP (230V)	50 (127.00)	34 3/8 (86.68)	28 (71.12)	46 1/2 (118.11)	280 (119.84)

■ Dimensions are for **estimating** only unless endorsed for construction. All dimensions are in inches and centimeters.

Allen-Bradley HMIs

OPEN TYPE SUB PANEL



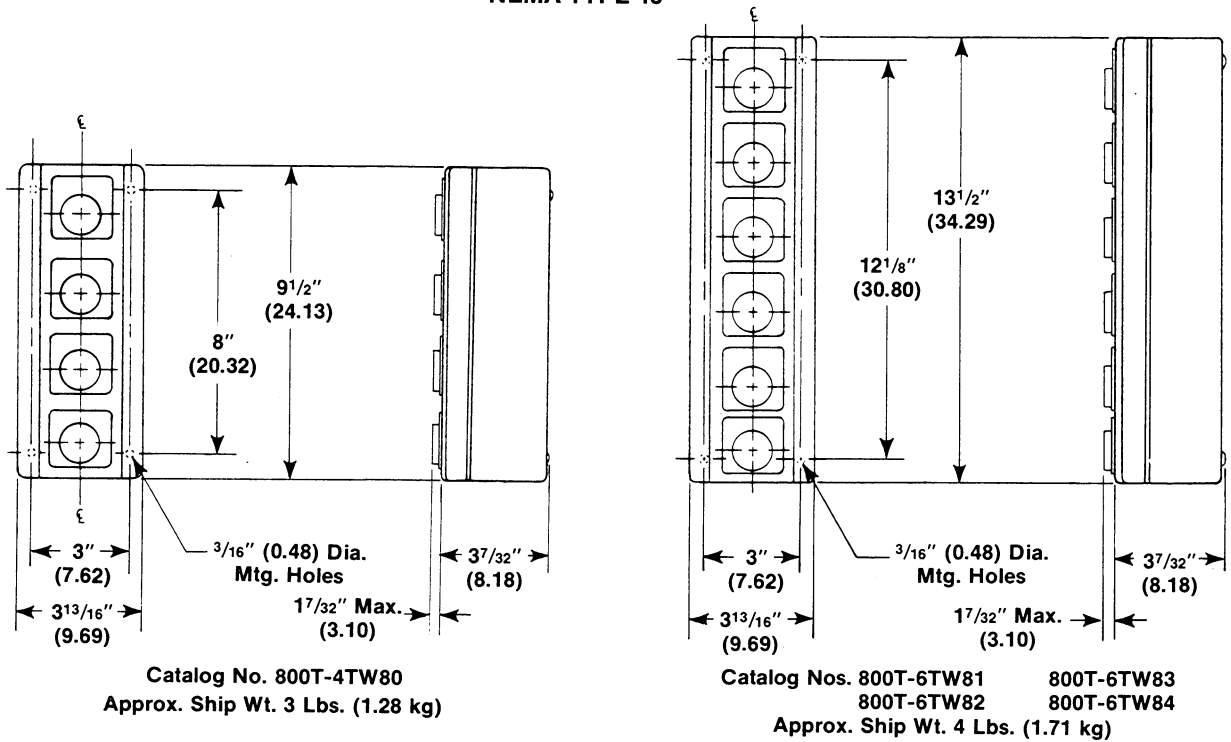
HP Rating	A	B	C	D	Approx. Ship Wt. Lbs. (kg)
7½-60 HP (460V) 7½-30 HP (230V)	38 (96.52)	22 (55.88)	17 (43.18)	35½ (90.17)	120 (51.36)
75-125 HP (460V) 40-60 HP (230V)	45 (114.30)	26 (66.04)	21 (53.34)	42½ (107.95)	162 (69.33)
150-200 HP (460V) 75-100 HP (230V)	49 (124.46)	33 (83.82)	28 (71.12)	46½ (118.11)	172 (73.61)

Note: No options extend beyond working depth or perimeter.
MAXIMUM working depth — 13" (33.02)

Approximate Dimensions in Inches and Centimeters

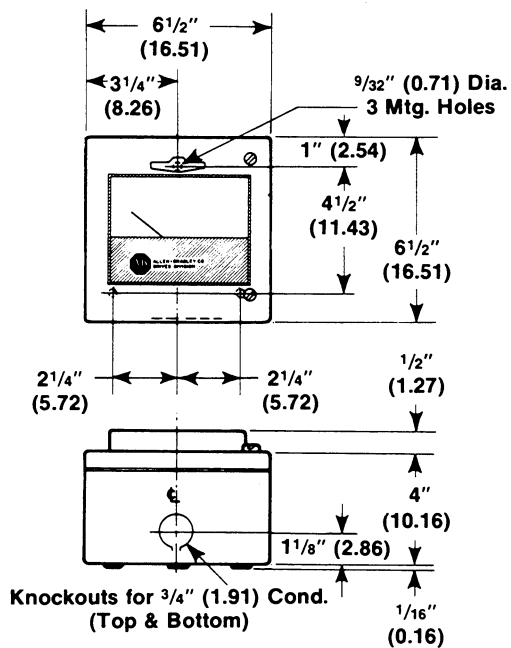
OPERATOR CONTROL STATIONS

NEMA TYPE 13

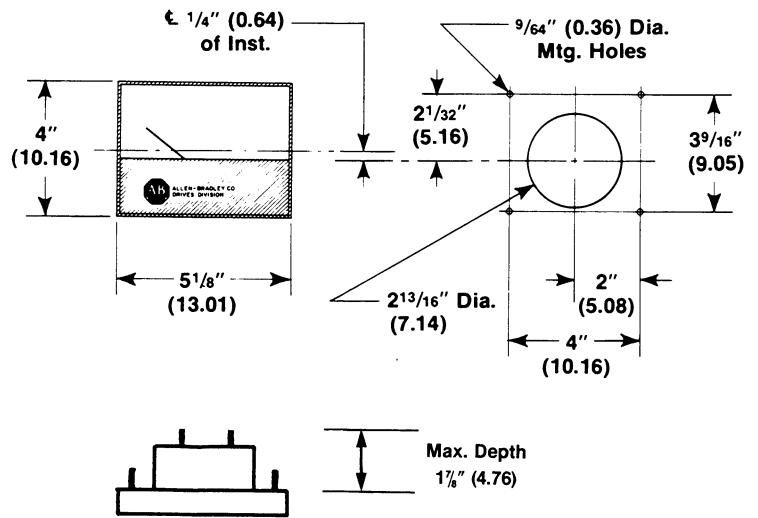


SPEED INDICATOR / LOAD INDICATOR

ENCLOSED TYPE



OPEN TYPE



SPEED INDICATOR

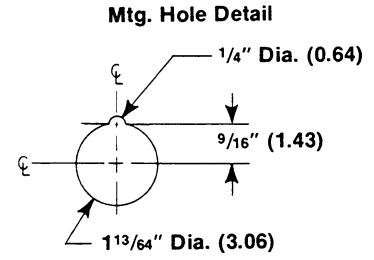
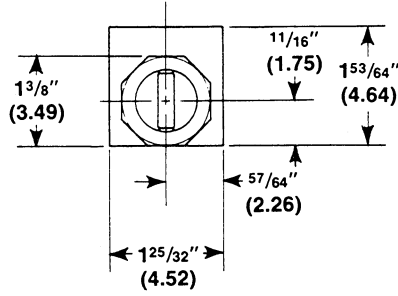
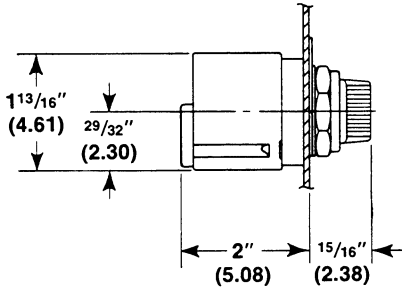
Type of Speed Regulation	Enclosed Catalog No.	Open Catalog No.
Armature Voltage Feedback	1381-SA11	1381-S011
A.C. or D.C. Tachometer Feedback	1381-SA17	1381-S017
Approx. Ship Wt. Lbs (Kg)	3 Lbs. (1.28 Kg)	1 Lb. (0.43 Kg)

LOAD INDICATOR

Type	Catalog Number	Approx. Ship Wt. Lbs. (kg)
Open	1381-OLI	1 lb. (0.43 kg)
Enclosed	1381-ALI	3 lbs. (1.28 kg)

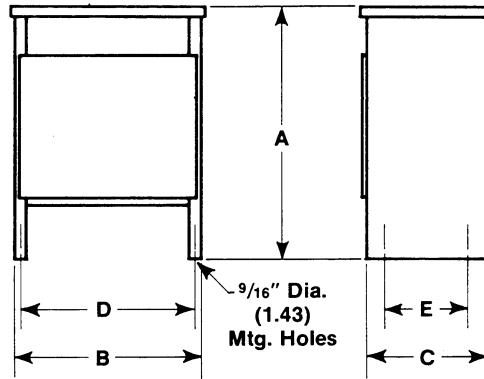
POTENTIOMETER WITH DIAL

CAT. NO. 800T-U13



Approx. Ship Wt. 4 oz. (0.11 kg)

ISOLATION TRANSFORMERS



HP	KVA	A	B	C	D	E	Approx. Ship Wt. Lbs. (kg)
7½	11	25 (63.50)	20 (50.80)	12 (30.48)	18 (45.72)	9 (22.86)	255 (109.14)
10	14	25 (63.50)	20 (50.80)	12 (30.48)	18 (45.72)	9 (22.86)	265 (113.42)
15	20	28 (71.12)	23 (58.42)	15 (38.10)	21 (53.34)	12 (30.48)	340 (145.52)
20	27	28 (71.12)	23 (58.42)	15 (38.10)	21 (53.34)	12 (30.48)	365 (156.22)
25	34	30 (76.20)	26 (66.04)	17 (43.18)	24 (60.96)	14 (35.56)	415 (177.62)
30	40	30 (76.20)	26 (66.04)	17 (43.18)	24 (60.96)	14 (35.56)	460 (196.88)
40	51	30 (76.20)	26 (66.04)	17 (43.18)	24 (60.96)	14 (35.56)	495 (211.86)
50	63	34 (86.36)	28 (71.12)	19 (48.26)	26 (66.04)	16 (40.64)	595 (254.66)
60	75	34 (86.36)	28 (71.12)	19 (48.26)	26 (66.04)	16 (40.64)	660 (292.48)
75	93	44 (111.76)	33 (83.82)	21 (53.34)	31 (78.74)	18 (45.72)	855 (365.94)
100	118	44 (111.76)	33 (83.82)	21 (53.34)	31 (78.74)	18 (45.72)	930 (398.04)
125	145	44 (111.76)	33 (83.82)	21 (53.34)	31 (78.74)	18 (45.72)	970 (415.16)
150	175	44 (111.76)	33 (83.82)	21 (53.34)	31 (78.74)	18 (45.72)	1035 (442.98)
200	220	46 (116.34)	36 (91.44)	24 (60.96)	34 (86.36)	21 (53.34)	1350 (577.80)

