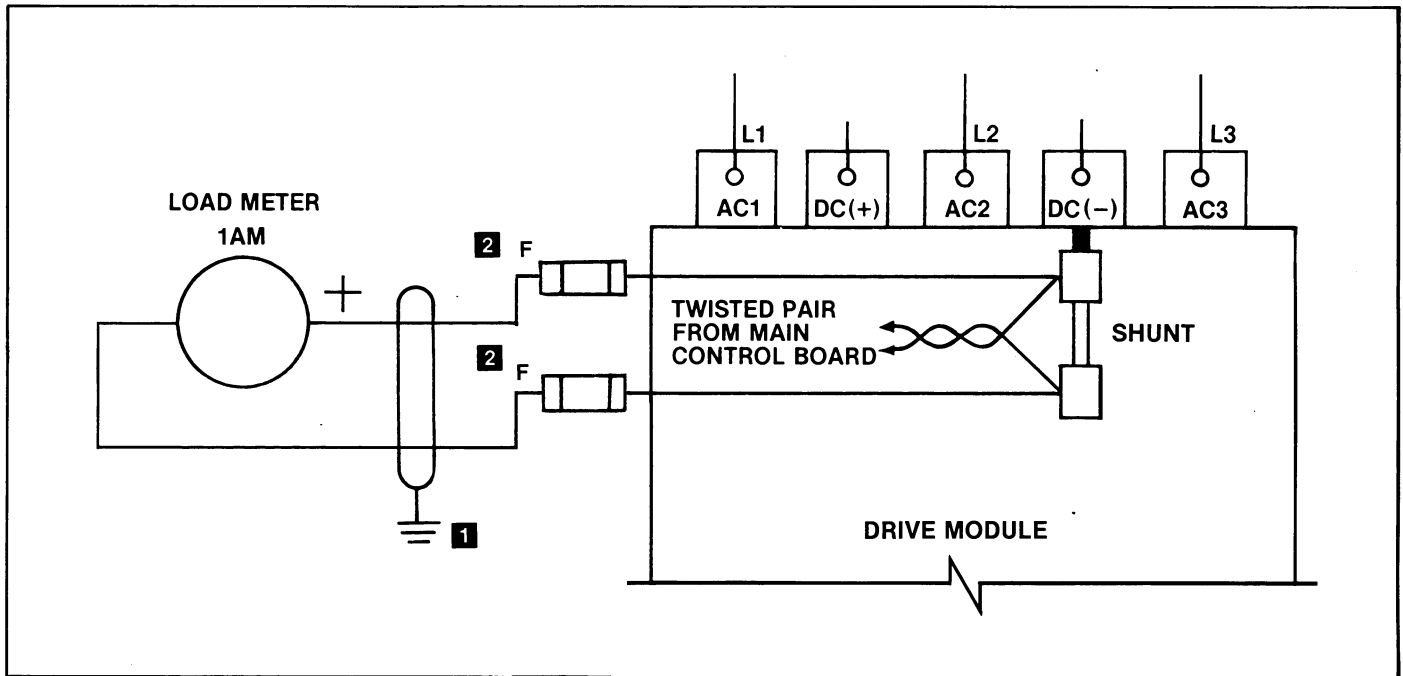




LOAD METER • 1381-OLI, 1381-ALI



INTERCONNECTION DIAGRAM

CAUTION:

Disconnect and lockout control equipment from power sources to avoid hazards of electrical shock or unintended actuation of controlled equipment.

1 Wire with insulated shield is required. Shield is to be grounded at the controller only. Wires interconnecting these terminals may be run in a common conduit. This conduit must not contain power, AC control, or field conductors.

2 Type KTK, 1 amp, 600 volt fuses are to be supplied by user and wired as shown when a drive isolation transformer is not used.

INSTALLATION

When installing, locate meter on a flat surface in an area reasonably free from vibrations, moisture, extremes of temperature and protected from physical damage.

When connecting the meters, it is recommended that 16 gauge (minimum) two conductor shielded wire be used (local codes must be followed). The shield conductor is to be grounded at the drive enclosure only, and the shield conductor at the meter cut and taped off. Use of ring lugs at the shunt connections are strongly recommended. When bolting the Load Indicator wires to the shunt, make sure that secure connections are made.

NOTE:

Leads of Load Meter and Speed Meter must be clearly identified at controller and meter.

When wiring optional Speed and/or Load Meters, use shielded, twisted-pair cable. route wires 6 in. (15 cm) minimum from high voltage/current carrying conductors and run in a separate steel conduit. Maximum distance between drive and meter is not to exceed 100 feet.

RECOMMENDED SIGNAL WIRE AND LUGS

Type	Typical Brand
2 conductor, shielded twisted pair (2 turns per inch) stranded copper, AWG No. 16	Belden No. 8719
No. 10 22-16 ga. lugs,	T & B No. RA-877

LOAD METER POLARITY CHECK

1. Apply power.
2. Momentarily start and stop drive while observing meter needle deflection. If needle does not deflect "upscale," remove power and interchange wires at the meter.
3. **REMOVE POWER.**



ALLEN-BRADLEY

Drives Division
Cedarburg, Wisconsin 53012-0005

