

## **A Quad B Feedback Cable Kit (Cat. No. 1394–SA15)**

This publication provides the information necessary to use the 1394–SA15 Feedback Cable, which is used to connect the 1394–SJTxx or DSM–xxx servo system module to encoder feedback inputs, external encoder power and analog outputs from a motion controller. The A Quad B output provides an emulated differential encoder feedback signal for a motion controller.

### **What This Kit Contains**

The 1394–SA15 is a 4.5 m (15ft) cable assembly with flying leads. Since each 1394–SA15 cable assembly provides connections for only one axis, use one cable assembly for each axis. Using the table below, verify that you have received the appropriate items:

For this part number:	Which represents:	You should receive this quantity:
1394–SA15	A Quad B Feedback Cable	1
-----	This instruction sheet	1

### **Connecting the Cable**

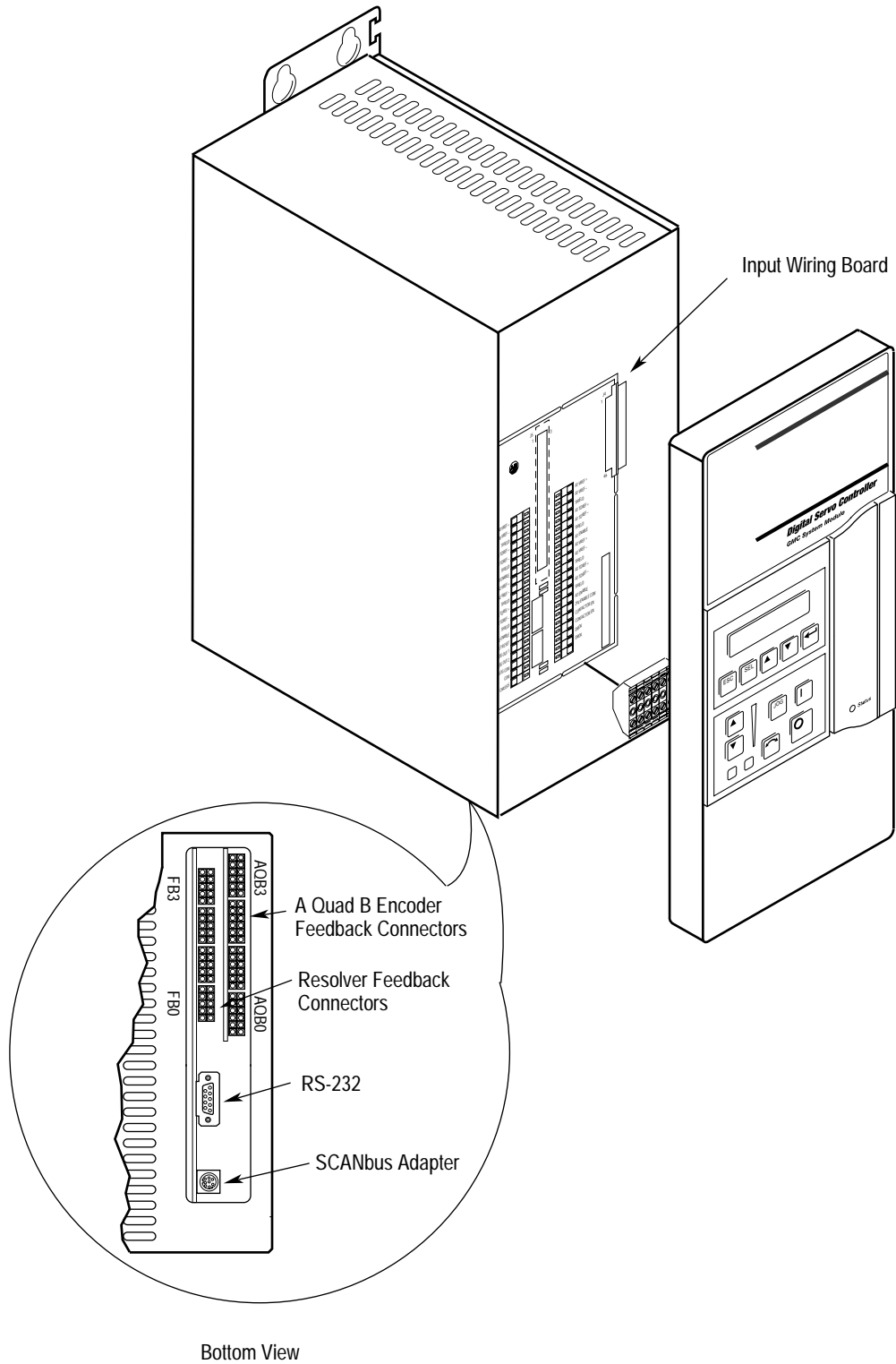
Approximately twenty–four hours before you begin, uncoil the cable and hang it to relieve the stress from coiling.

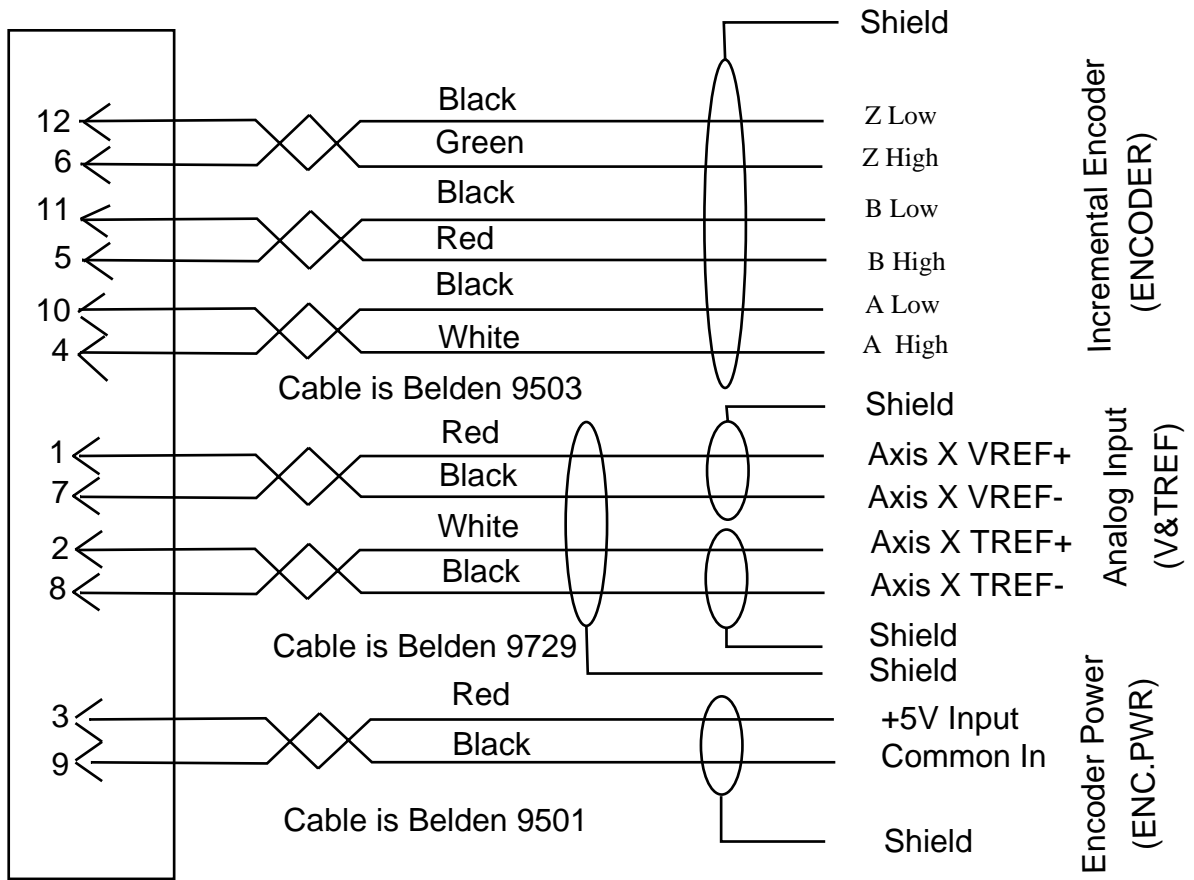
Connect the 12 pin mate–n–lock connector to the appropriate system module A Quad B encoder connector port for the axis (ports AQB0 through AQB3 represent axes 0 through 3). Refer to the figure below for more information.

Connect the 5V DC  $\pm 5\%$  3A power source to only one axis using any of the four A Quad B ports (AQB0 through AQB3). This one connection provides encoder power for up to four axes. This power source must be connected to the ENC.PWR flying lead cable. Refer to the User Manual provided with your system module for more information about A Quad B.

The velocity or torque reference from the motion controller is interconnected to the drive through this cable. When you use this cable, there is no need to interconnect a velocity or torque reference to the input wiring board of the servo system module.

# AB Spares





Note: Cable shields are not connected on the 12 pin connector end.

AB Spares



Rockwell Automation helps its customers receive a superior return on their investment by bringing together leading brands in industrial automation, creating a broad spectrum of easy-to-integrate products including control logic, sensors, man-machine interface, motors, power devices and software. These are supported by local technical resources available worldwide, a global network of system solutions providers, and the advanced technology resources of Rockwell International.

## Worldwide representation.



Argentina • Australia • Austria • Bahrain • Belgium • Bolivia • Brazil • Bulgaria • Canada • Chile • China, People's Republic of • Colombia • Costa Rica • Croatia • Cyprus • Czech Republic • Denmark • Dominican Republic • Ecuador • Egypt • El Salvador • Finland • France • Germany • Ghana • Greece • Guatemala • Honduras • Hong Kong • Hungary • Iceland • India • Indonesia • Iran • Ireland-Eire • Israel • Italy • Jamaica • Japan • Jordan • Korea • Kuwait • Lebanon • Macau • Malaysia • Malta • Mexico • Morocco • The Netherlands • New Zealand • Nigeria • Norway • Oman • Pakistan • Panama • Peru • Philippines • Poland • Portugal • Puerto Rico • Qatar • Romania • Russia • Saudi Arabia • Singapore • Slovakia • Slovenia • South Africa, Republic of • Spain • Sweden • Switzerland • Taiwan • Thailand • Trinidad • Tunisia • Turkey • United Arab Emirates • United Kingdom • United States • Uruguay • Venezuela

Rockwell Automation Headquarters, 1201 South Second Street, Milwaukee, WI 53204 USA, Tel: (1) 414 382-2000 Fax: (1) 414 382-4444

Rockwell Automation European Headquarters, Avenue Hermann Debroux, 46, 1160 Brussels, Belgium, Tel: (32) 2 663 06 00, Fax: (32) 2 663 06 40

Rockwell Automation Asia Pacific Headquarters, 27/F Citicorp Centre, 18 Whitfield Road, Causeway Bay, Hong Kong, Tel: (852) 2887 4788, Fax: (852) 2508 1846

World Wide Web: <http://www.ab.com>