



ControlLogix™ to a 1394 Two-Axis Analog Servo System Module Cable

(Catalog Number 1394-CCAExx)

This document provides cable catalog numbers, cable pinouts, and cable drawings for the ControlLogix to a 1394 Two-Axis Analog Servo System Module Cable (Catalog Number 1394-CCAExx).

Understanding Cable Catalog Numbers

The beginning portion of the cable catalog number is 1394. In addition, the options are the cable type and the style and length of the cable. When you combine all of the characters, you create the catalog number for the cable that you need.

Two-Axis Prewired Cable

Bulletin Number	Type	1394 Interface	Cable Style and Length
1394	-		
CC = Cable with ControlLogix M02AE Connector			
AE = Analog/Encoder ControlLogix Servo Module			
01 = M02AE pre-wired connector to 1394-SJTxx-A flying lead, 2 axes, 1 m (3.28 ft)			
03 = M02AE pre-wired connector to 1394-SJTxx-A flying lead, 2 axes, 3 m (9.84 ft)			
08 = M02AE pre-wired connector to 1394-SJTxx-A flying lead, 2 axes, 8 m (26.24 ft)			
15 = M02AE pre-wired connector to 1394-SJTxx-A flying lead, 2 axes, 15 m (49.2 ft)			

1394

-

CC = Cable with ControlLogix M02AE Connector

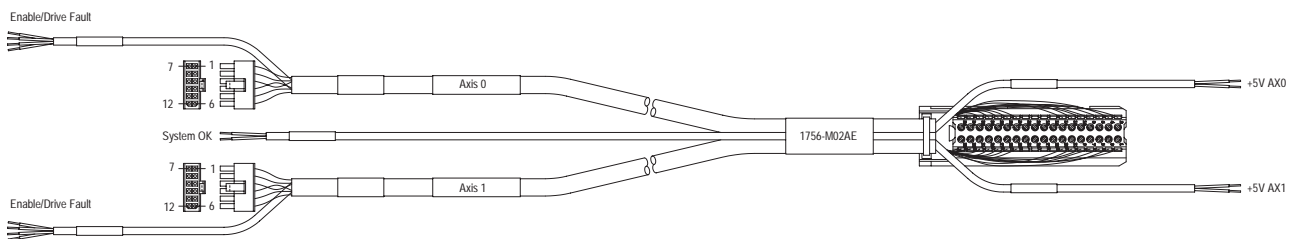
AE = Analog/Encoder ControlLogix Servo Module

01 = M02AE pre-wired connector to 1394-SJTxx-A flying lead, 2 axes, 1 m (3.28 ft)
 03 = M02AE pre-wired connector to 1394-SJTxx-A flying lead, 2 axes, 3 m (9.84 ft)
 08 = M02AE pre-wired connector to 1394-SJTxx-A flying lead, 2 axes, 8 m (26.24 ft)
 15 = M02AE pre-wired connector to 1394-SJTxx-A flying lead, 2 axes, 15 m (49.2 ft)

Cable Drawing

The cable is shown below.

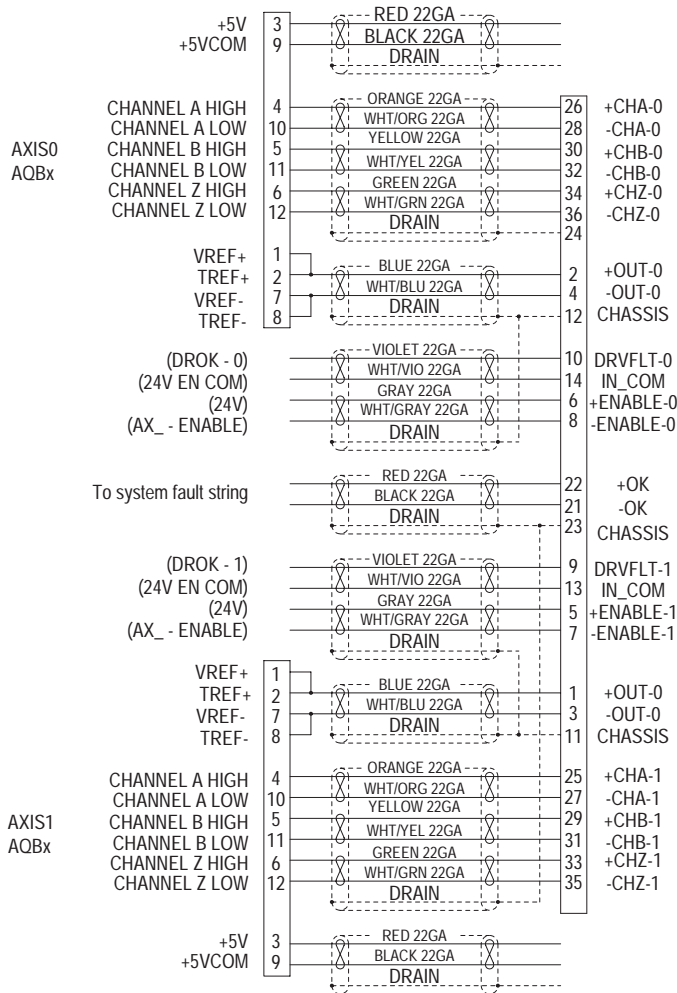
Figure 1
1394-CCAExx01, -03, -08, and -15 Cable



Cable Pinouts

The two-axis cable pinouts are shown below.

Figure 2
1394-CCAE01, -03, -08, and -15 Connector Cable Pinouts



For more information refer to our web site: www.ab.com/motion

ControlLogix is a trademark of Allen-Bradley, Inc.

Reach us now at www.rockwellautomation.com

Wherever you need us, Rockwell Automation brings together leading brands in industrial automation including Allen-Bradley controls, Reliance Electric power transmission products, Dodge mechanical power transmission components, and Rockwell Software. Rockwell Automation's unique, flexible approach to helping customers achieve a competitive advantage is supported by thousands of authorized partners, distributors and system integrators around the world.



Americas Headquarters, 1201 South Second Street, Milwaukee, WI 53204, USA, Tel: (1) 414 382-2000, Fax: (1) 414 382-4444
 European Headquarters SA/NV, avenue Herrmann Debroux, 46, 1160 Brussels, Belgium, Tel: (32) 2 663 06 00, Fax: (32) 2 663 06 40
 Asia Pacific Headquarters, 27/F Citicorp Centre, 18 Whitfield Road, Causeway Bay, Hong Kong, Tel: (852) 2887 4788, Fax: (852) 2508 1846

