

DC Power Bridge Retrofit 1395 Retrofit Controller



Part Number 805427-10 (43 amp Field Supply)
805427-11 (90 Amp Field Supply)

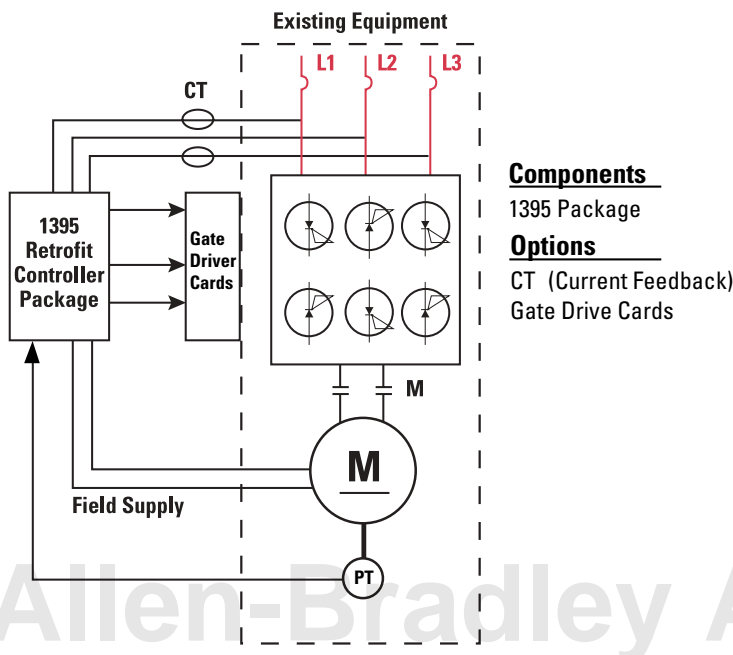
Product Profile

The DC Power Bridge is among the most expensive components in a DC variable speed drive. In many cases the technology of the electronic DC control is the limiting factor for improving drive or line performance.

The 1395 Retrofit Controller package can offer an easy way to upgrade existing DC Power Bridges to the most advanced Allen-Bradley DC drive control. The retrofit package can be adapted to almost any DC power bridge regardless of original manufacturer.

The 1395 retrofit package provides all of the same features, options, and performance as the Bulletin 1395 DC drive. The retrofit package is designed to replace the electronic controls of an existing DC drive while retaining the expensive SCR bridge structure. Many times all of the power handling components can be retained. Incoming line protection fuses and circuit breakers, output contactors, line supply transformers are all candidates to be retained. Replacing the digital control can reduce maintenance costs, downtime and help migrate the installed equipment to the latest Rockwell Automation controllers and equipment.

The general arrangement of the retrofit package:



Components

1395 Package

Options

CT (Current Feedback)
Gate Drive Cards



1395 Retrofit Controller Features

- Bulletin 1395 digital drive control
- 43 AMP or 90 AMP field supply
- Integral power supply
- Power stage interface board
- Feedback interface
- Gate interface

1395 Digital Drive Control Available Options

- Programming Terminal
- Discrete Adapter
- Digital Reference
- Node Adapter Board
- Multi Communications
- ControlNet™ Communications
- Software Packages
 - DriveTools™
 - Intelligent Terminal System



Bulletin 1395 Digital Drive Control Performance

- Digital Control of Current, Velocity and Configuration
- Feedback Choices
 - Incremental Encoder
 - Armature Voltage
 - DC Tachometer
- Automatic Tachometer Loss Recovery
- Speed Regulation: 0.01% of 10:1 Speed Range
- Dynamic Speed Control: 60 radians maximum, 15 rad/sec typical
- Torque Regulation: better than +/-5%
- Automatic Tuning of Velocity Loop, Current Loop and Field Flux Table
- Diagnostics
 - Warning Faults of Pending Problems
 - Trip faults immediate shut down of critical conditions
 - N.O. Contacts: fault word, fault queue
 - Programmable fault word and fault buffer
 - Trending, 4 channels, independent and programmable

DriveTools is a trademark of Rockwell Automation. ControlNet is a trademark of ControlNet International.

www.rockwellautomation.com

Corporate Headquarters

Rockwell Automation, 777 East Wisconsin Avenue, Suite 1400, Milwaukee, WI, 53202-5302 USA, Tel: (1) 414.212.5200, Fax: (1) 414.212.5201

Headquarters for Allen-Bradley Products, Rockwell Software Products and Global Manufacturing Solutions

Americas: Rockwell Automation, 1201 South Second Street, Milwaukee, WI 53204-2496 USA, Tel: (1) 414.382.2000, Fax: (1) 414.382.4444
Europe/Middle East/Africa: Rockwell Automation SA/NV, Vorstlaan/Boulevard du Souverain 36, 1170 Brussels, Belgium, Tel: (32) 2 663 0600, Fax: (32) 2 663 0640
Asia Pacific: Rockwell Automation, 27/F Citicorp Centre, 18 Whitfield Road, Causeway Bay, Hong Kong, Tel: (852) 2887 4788, Fax: (852) 2508 1846