

Allen-Bradley 1397 Blower Motor Starter Cat. Nos. 1397-MBxxx

What This Option Provides

When installed, the Blower Motor Starter is designed to provide a fused three-phased motor starter with an adjustable overload, interlock and in-line fuses for 1.5-150HP/230V and 3-600HP/460V 1397 drives.

Important: Each blower motor used requires it's own Blower Motor Starter. For larger applications 400-600HP/460V 1397 Drives have provisions for mounting up to two blower motor starters. If more than two blower motor starters are required for your applications, consult

Where This Option Is Used

Catalog Number	Blower Motor Amp Current Rating
1397-MB006	0.4-0.63
1397-MB010	0.63-1.0
1397-MB014	1.0-1.4
1397-MB018	1.4-1.8
1397-MB024	1.7-2.4
1397-MB031	2.2-3.1
1397-MB040	2.8-4.0
1397-MB050	3.5-5.0
1397-MB065	4.5-6.5
1397-MB085	6.0-8.5
1397-MB110	7.5-11.0

What These Instructions Contain

These instructions and any accompanying instructions contain the necessary information to install a 1397 Blower Motor Starter.

Allen-Bradley Spares

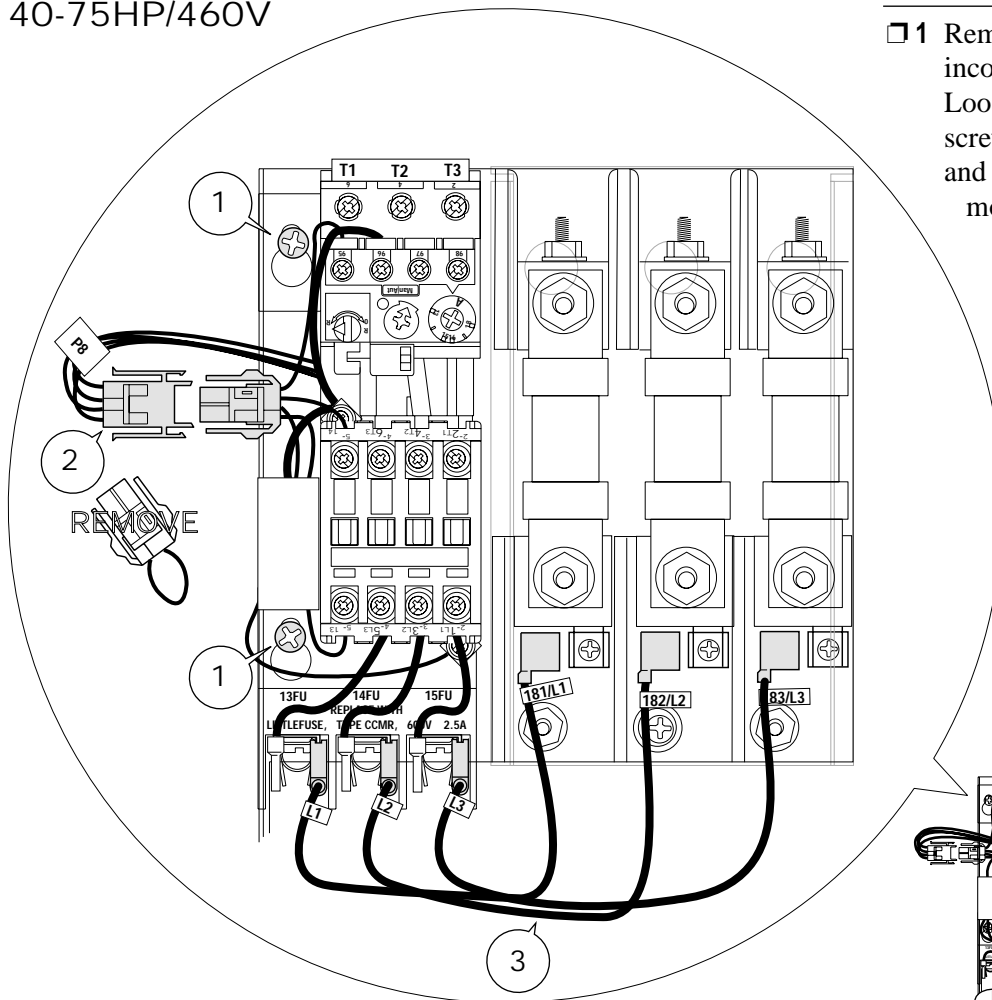
Installation



ATTENTION: Electric Shock can cause injury or death. Remove all power before working on this product.

The drive is at line voltage when connected to incoming AC power. Before proceeding with any installation or troubleshooting activity, disconnect, lockout and tag all incoming power to the drive. Verify with a voltmeter that no voltage exists at terminals L1, L2 and L3 on the drive input power terminal block.

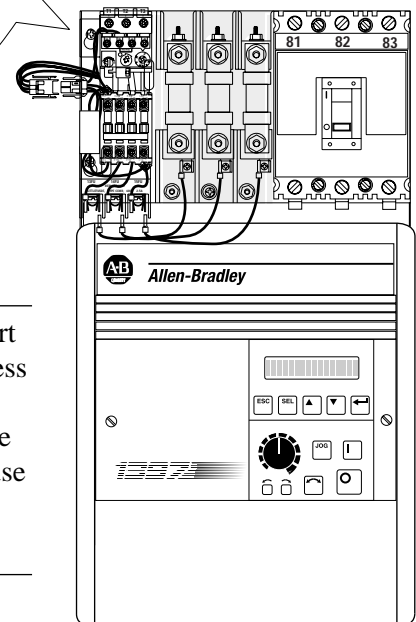
1.5-30HP/230V and 40-75HP/460V



- 1 Remove and lockout all incoming power to the drive. Loosen the (2) phillips head screws on the molded fuse block and slide the kit's keyed mounting slots over the screws. Torque to 6.22 N-m (55 lb-in).

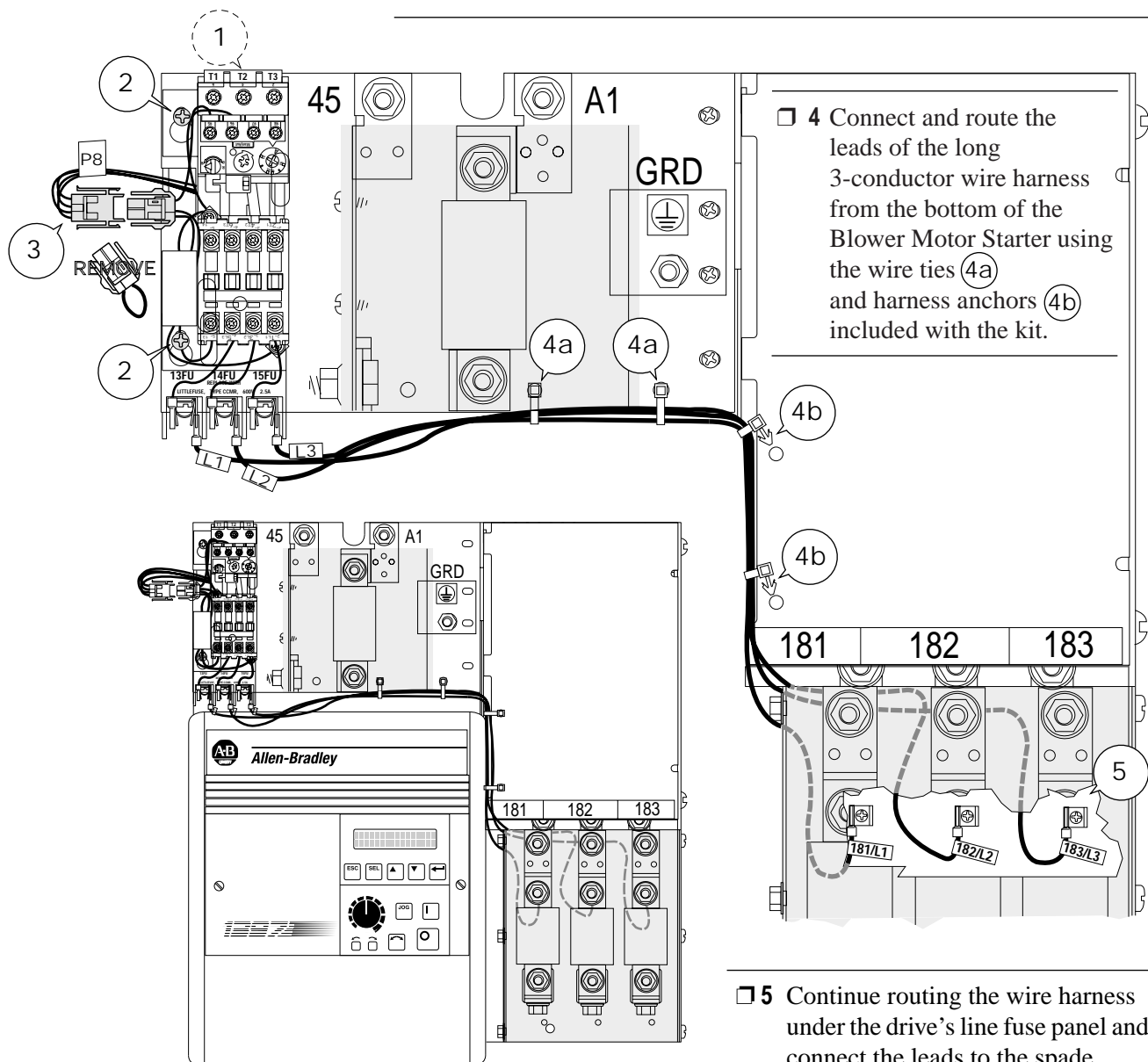
- 2 Locate jumper connector assembly P8. Remove the jumper plug and connect jumper assembly P8 to the Blower Motor Starter's matching connector.

- 3 Connect the leads of the short 3-conductor spade wire harness between the bottom of the Blower Motor Starter and the bottom of an AC line input fuse as shown. The remaining kit hardware is not required.



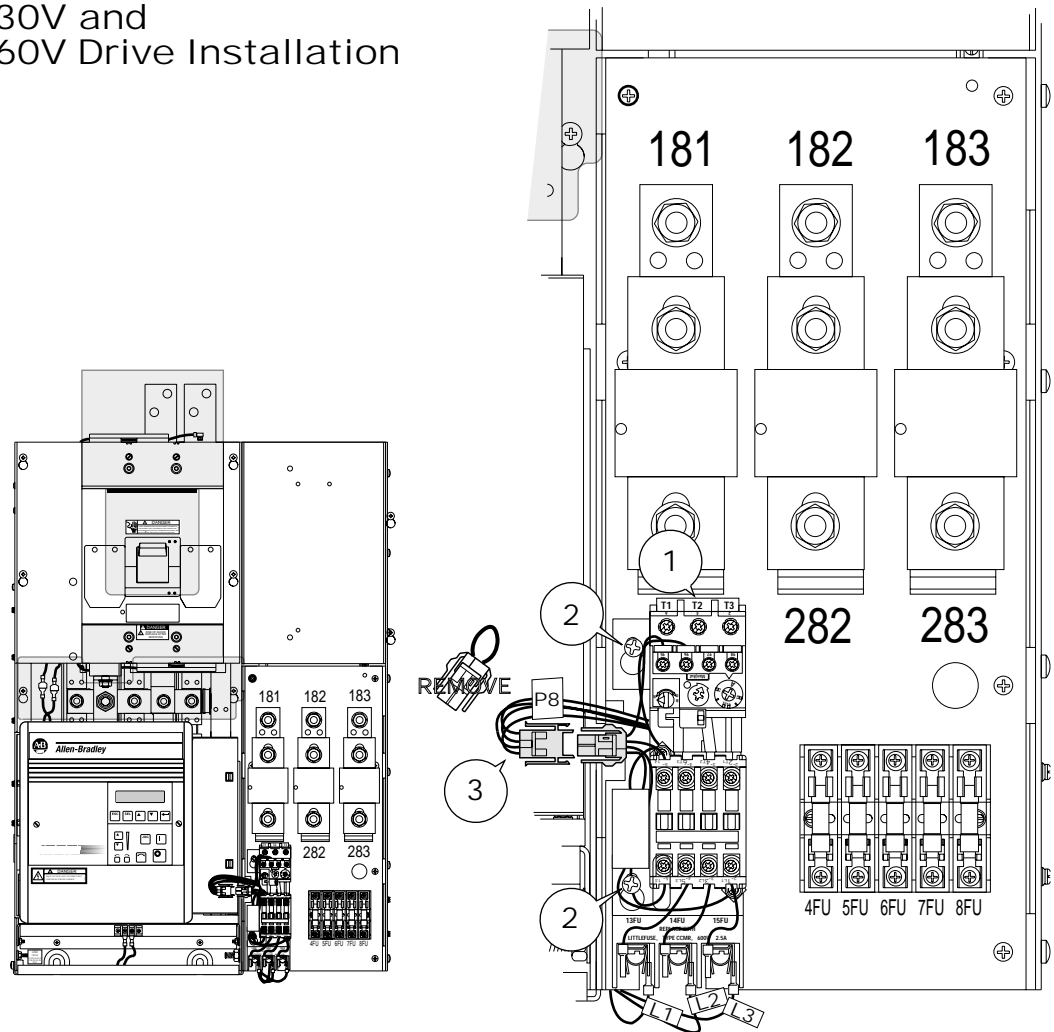
40-75HP/230V and 75-150HP/460V Drive Installation

- ❑ 1 Disconnect wires 181, 182 & 183 from the back of the Blower Motor Starter fuse block and discard them.
- ❑ 2 Remove and lock-out all incoming power to the drive. Loosen the (2) phillips head screws on the molded fuse block and slide the kit's keyed mounting slots over the screws. Torque to 6.22 N-m (55 lb-in.).
- ❑ 3 Locate jumper connector assembly P8. Remove the jumper plug and connect jumper assembly P8 to the Blower Motor Starter's matching connector.



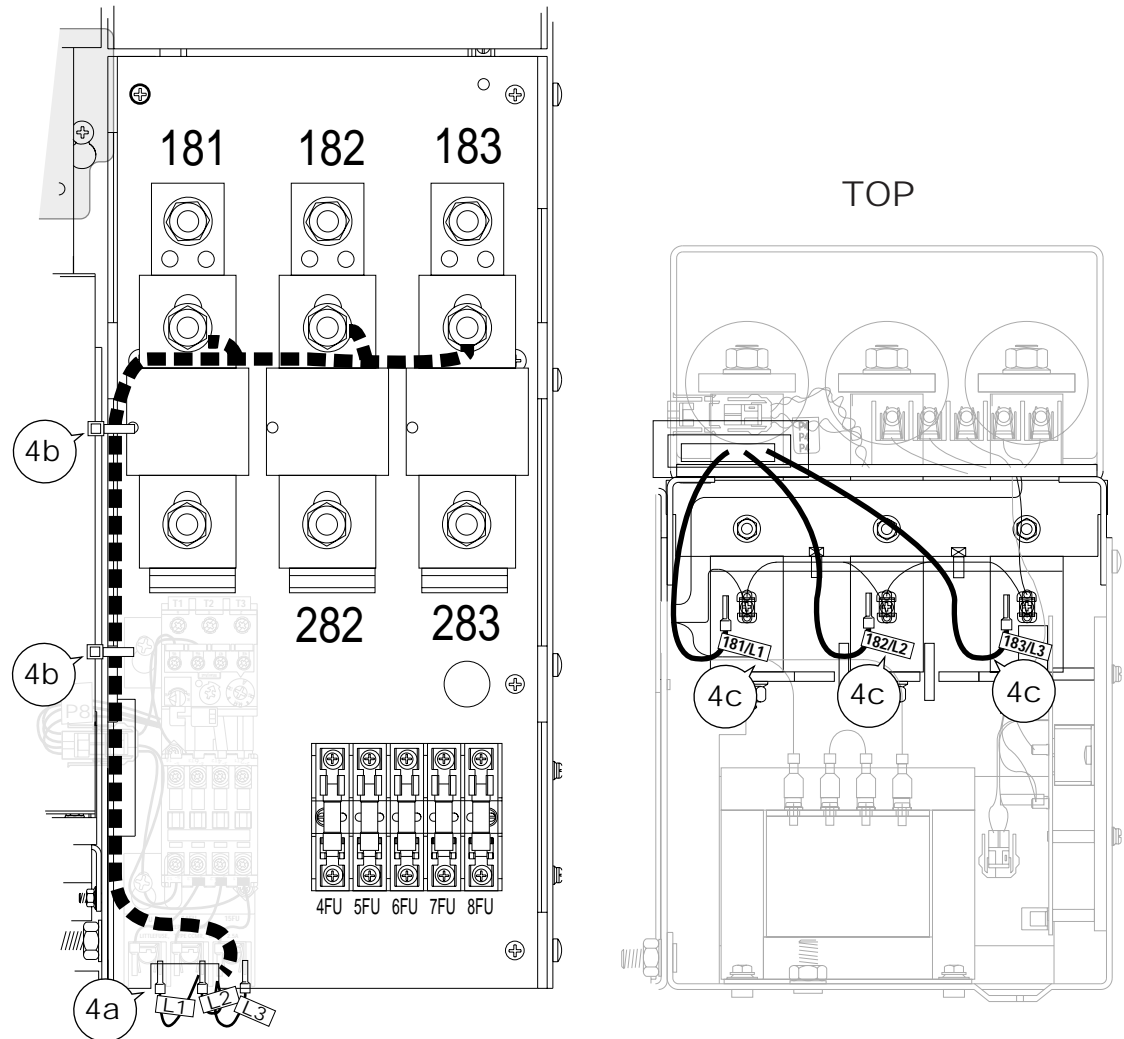
Allen-Bradley

100-150HP/230V and 200-300HP/460V Drive Installation



-
- 1** Disconnect t wires 181, 182 & 183 from the back of the Blower Motor Starter fuse block and discard them.
-
- 2** Remove and lock-out all incoming power to the drive. Loosen the (2) phillips head screws on the molded fuse block and slide the kit's keyed mounting slots over the screws. Torque to 6.22 N-m (55 lb-in.).
-
- 3** Locate jumper connector assembly P8. Remove the jumper plug and connect jumper assembly P8 to the Blower Motor Starter's matching connector.
-

100-150HP/230V and
200-300HP/460V Drive Installation
(continued)



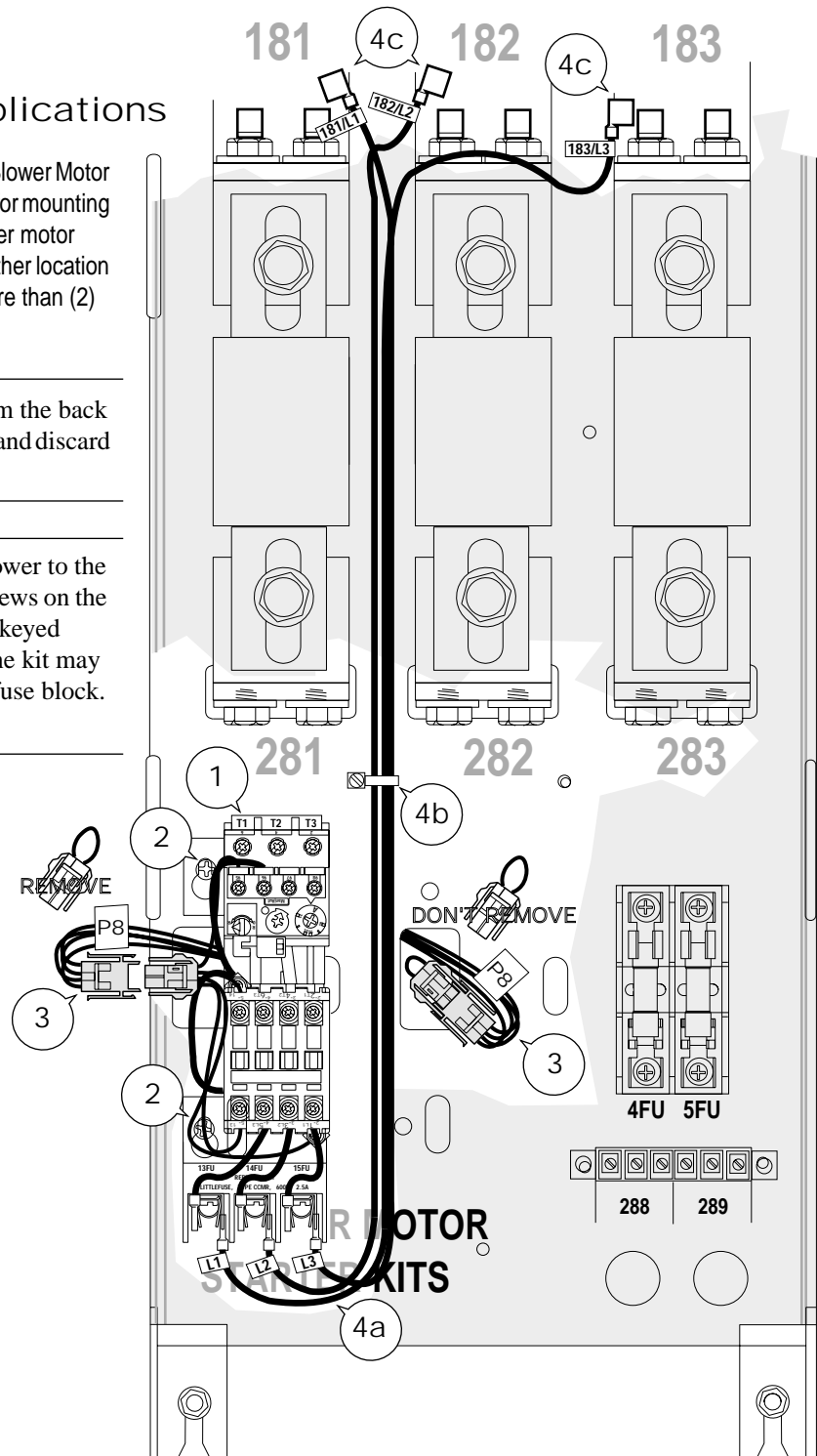
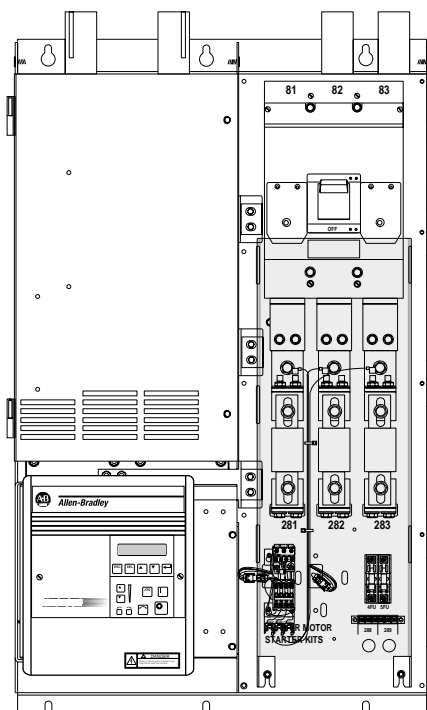
- 4 Connect the long 3-conductor wire harness from the bottom of the Blower Motor starter and route underneath the fuse panel to the terminals behind the fuses as shown (4a). Secure the harness using the wire ties included with the kit (4b).

Allen-Bradley Spares

400-600HP/460V Drive Installation Single Blower Motor Applications

Important: Each blower motor requires its own Blower Motor Starter. 400-600HP 1397 drives have provisions for mounting up to (2) Blower Motor Starters. For single blower motor applications, the starter kit may be mounted at either location on the fuse block. For applications requiring more than (2) blower motors, consult the factory.

- ❑ 1 Disconnect wires 181, 182 & 183 from the back of the Blower Motor Starter fuse block and discard them.
- ❑ 2 Remove and lock-out all incoming power to the drive. Loosen the (2) phillips head screws on the molded fuse block and slide the kit's keyed mounting slots over the screws — the kit may be mounted at either location on the fuse block. Torque to 6.22 N-m (55 lb-in.).



- ❑ 3 Locate one of the P8 jumper connector assemblies. Remove the jumper plug and connect jumper assembly P8 to the Blower Motor Starter's matching connector. For single Blower Motor Starter applications, leave the other P8 jumper connector assembly alone.

- ❑ 4 Loosen the harness fastener screw (4b).

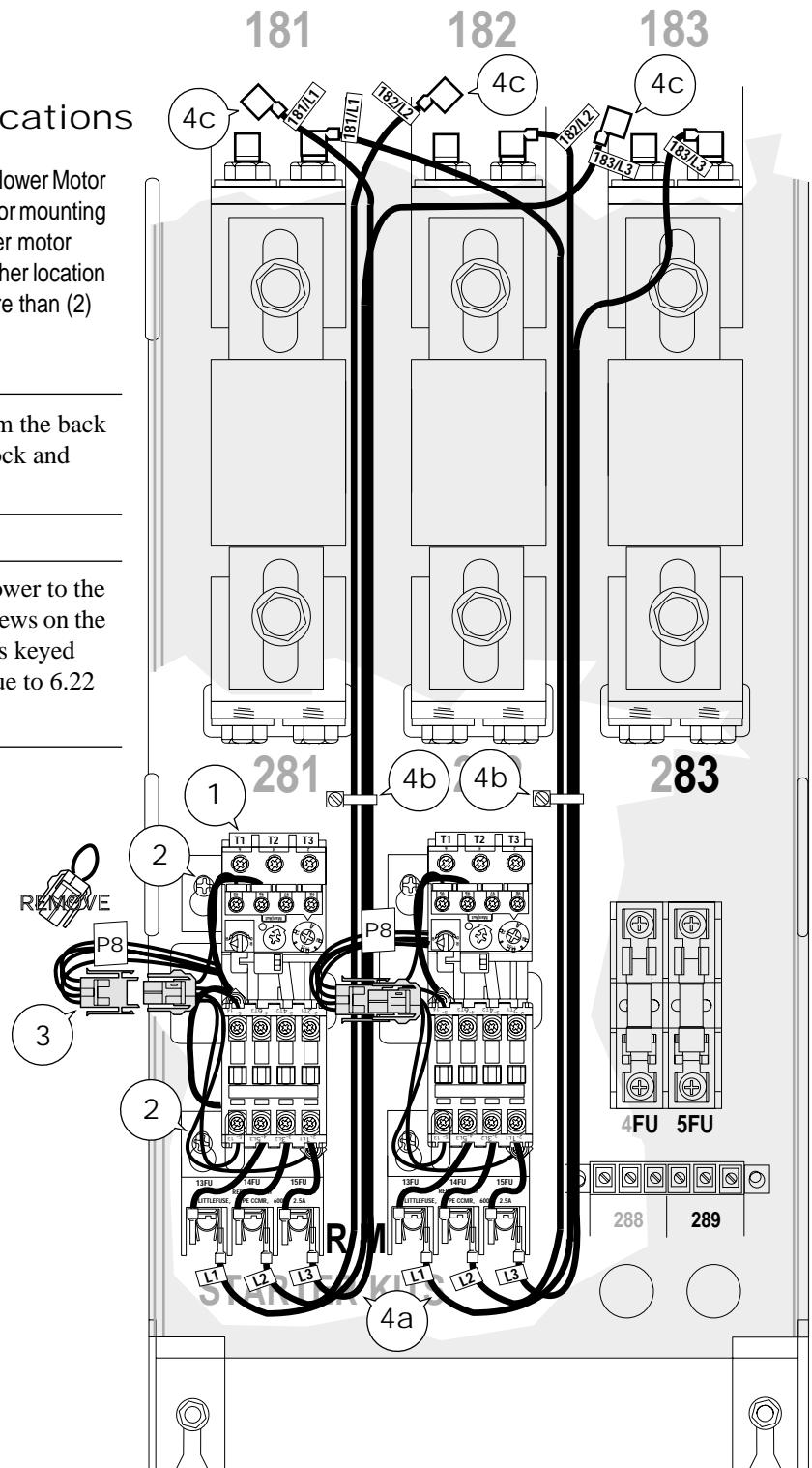
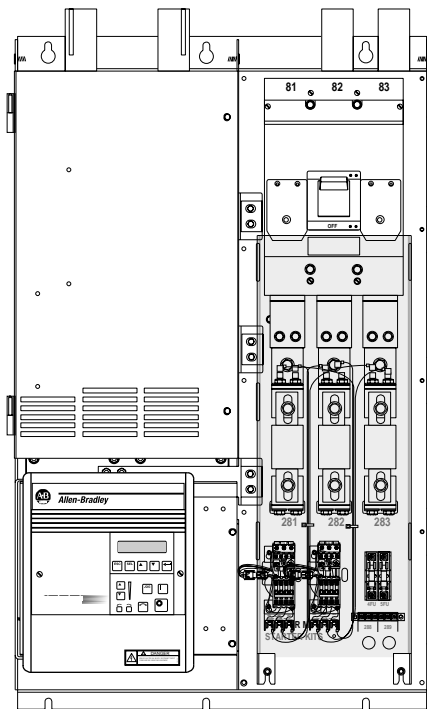
Connect and route the leads of the long 3-conductor wire harness from the bottom of the Blower Motor Starter (4a) under the harness fastener (4b) to the top of the line fuses as shown (4c).

Hand tighten the harness fastener screw to secure the harness.

400-600HP/460V Drive Installation Dual Blower Motor Applications

Important: Each blower motor requires it's own Blower Motor Starter. 400-600HP 1397 drives have provisions for mounting up to (2) Blower Motor Starters. For single blower motor applications, the starter kit may be mounted at either location on the fuse block. For applications requiring more than (2) blower motors, consult the factory.

- ❑ 1 Disconnect wires 181, 182 & 183 from the back of each Blower Motor Starter fuse block and discard them.
- ❑ 2 Remove and lock-out all incoming power to the drive. Loosen the (4) phillips head screws on the molded fuse block and slide each kit's keyed mounting slots over the screws. Torque to 6.22 N-m (55 lb-in.).



- ❑ 3 Locate the P8 jumper connector assemblies. Remove the jumper plugs and connect the P8 jumper assemblies to each Blower Motor Starter's matching connector.

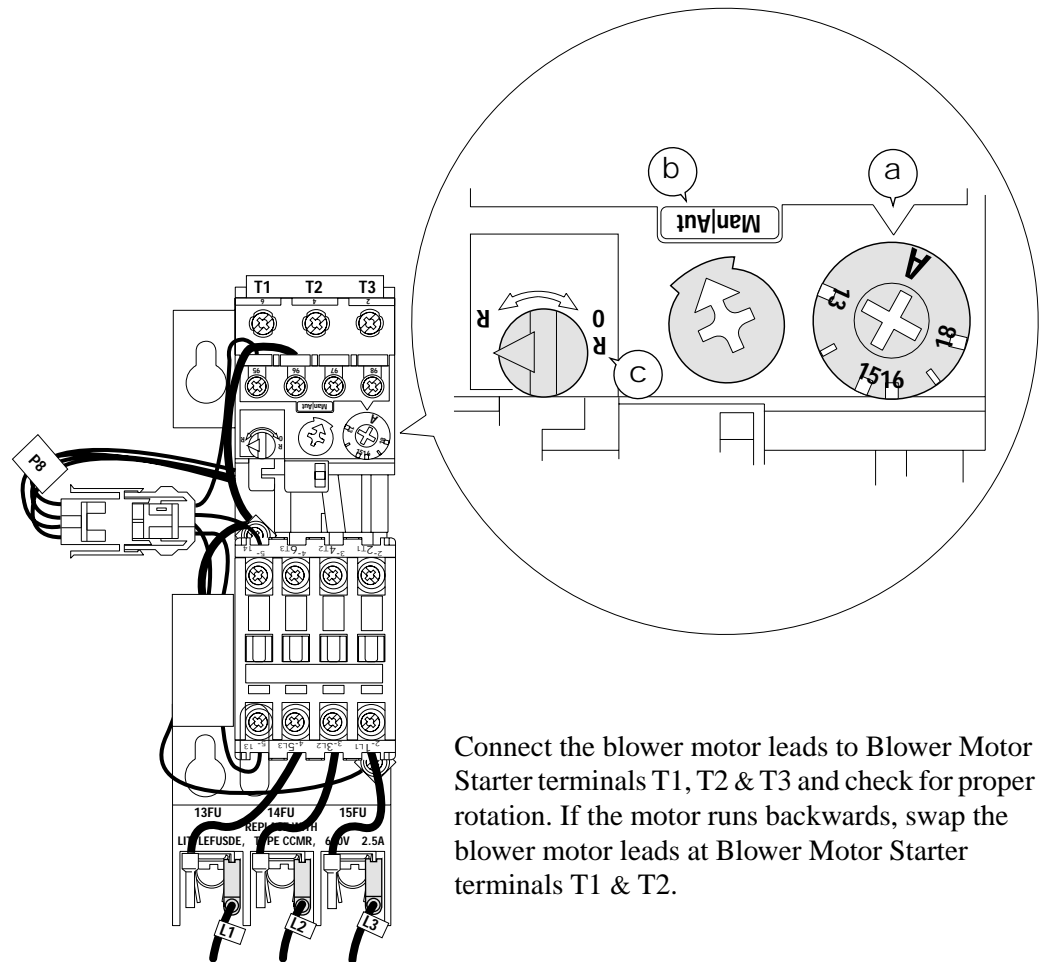
- ❑ 4 Loosen the harness fastener screws (4b) .

Connect and route the leads of each long 3-conductor wire harness from the bottom of the Blower Motor Starters (4a) under the harness fasteners (4b) to the top of the line fuses as shown (4c) . Hand tighten the harness fastener screws to secure each harness.

Setup

To configure a Blower Motor Starter to a selected blower motor:

- a Set the overload relay dial to the full load current on the blower motor's nameplate.
- b Set the Auto/Manual dial to "Aut".
- c Set the reset dial to "R".



Rockwell Automation helps its customers receive a superior return on their investment by bringing together leading brands in industrial automation, creating a broad spectrum of easy-to-integrate products. These are supported by local technical resources available worldwide, a global network of system solutions providers, and the advanced technology resources of Rockwell.

Worldwide representation.



Argentina • Australia • Austria • Bahrain • Belgium • Bolivia • Brazil • Bulgaria • Canada • Chile • China, People's Republic of • Colombia • Costa Rica • Croatia • Cyprus • Czech Republic • Denmark • Dominican Republic • Ecuador • Egypt • El Salvador • Finland • France • Germany • Ghana • Greece • Guatemala • Honduras • Hong Kong • Hungary • Iceland • India • Indonesia • Iran • Ireland • Israel • Italy • Jamaica • Japan • Jordan • Korea • Kuwait • Lebanon • Macau • Malaysia • Malta • Mexico • Morocco • The Netherlands • New Zealand • Nigeria • Norway • Oman • Pakistan • Panama • Peru • Philippines • Poland • Portugal • Puerto Rico • Qatar • Romania • Russia • Saudi Arabia • Singapore • Slovakia • Slovenia • South Africa, Republic of • Spain • Sweden • Switzerland • Taiwan • Thailand • Trinidad • Tunisia • Turkey • United Arab Emirates • United Kingdom • United States • Uruguay • Venezuela

Rockwell Automation Headquarters, 1201 South Second Street, Milwaukee, WI 53204-2496 USA, Tel: (1) 414 382-2000, Fax: (1) 414 382-4444