



Allen-Bradley

H-Series

Brushless Servo Motor Manual

Rockwell
Automation

Bringing Together Leading Brands in Industrial Automation

Use of Motors

Servo motors are intended to drive machinery. As such, they must be part of a controlled system that includes a transistorized electronic amplifier. They are not intended for direct connection to the power supply or for use with thyristor drives. Instructions in the amplifier and control system manuals must be observed; this document does not replace those instructions.

Unless specified otherwise, servo motors are intended for use in a normal industrial environment without exposure to excessive or corrosive moisture or abnormal ambient temperatures. The exact operating conditions may be established by referring to the data for the motor. The mating of motors to machinery is a skilled operation; disassembly or repair must not be attempted. In the event that a motor fails to operate correctly, contact the place of purchase for return instructions.

Safety Notes

There are some possible hazards associated with the use of motors. The following precautions should be observed. Specific Warnings and Cautions are listed inside the back cover.

Installation and Maintenance: Installation and maintenance or replacement must be carried out by suitably qualified service personnel, paying particular attention to possible electrical and mechanical hazards.

Weight: Large motors are generally heavy, and the center of gravity may be offset. When handling, take appropriate precautions and use suitable lifting equipment. Beware of sharp edges; use protective gloves when handling such assemblies.

Flying leads: Ensure that flying or loose leads are suitably restrained, to prevent snagging or entanglement, before carrying motors with such leads.

Generation: If the motor is driven mechanically, it may generate hazardous voltages at its power input terminals. The power connector must be suitably guarded to prevent a possible shock hazard.

Loose motors: When running an unmounted motor, ensure that the rotating shaft is adequately guarded and the motor is physically restrained to prevent it from moving. Remove the key which otherwise could fly out when the motor is running.

Damaged cables: Damage to cables or connectors may cause an electrical hazard. Ensure there is no damage before energizing the system.

Supply: Servo motors must not be directly connected to a power supply; they require an electronic drive system. Consult the instructions for the drive system before energizing or using the motor.

Brakes: The brakes that are included on motors are holding brakes only and are not to be used as a mechanical restraining device for safety purposes.

Safety requirements: The safe incorporation of this product into a machine system is the responsibility of the machine designer, who should comply with the local safety requirements at the place where the machine is to be used. In Europe this is likely to be the Machinery Directive.

Mechanical connection: Motors must be connected to the machine with a torsionally rigid coupler or a reinforced timing belt. Couplers which are not rigid will cause difficulty in achieving an acceptable response from the control system. Couplings and pulleys must be tight as the high dynamic performance of a servo motor can easily cause couplings to slip, and thereby damage the shaft and cause instability. Care must be taken in aligning couplings and tightening belts so that the motor is not subjected to significant bearing loads, or premature bearing wear will occur. Once connected to a load, tuning will be affected. A system tuned without a load will probably require retuning once a load is applied.

Connectors: Motor power connectors are for assembly purposes only. They should not be connected or disconnected while power is applied.

Motor Data

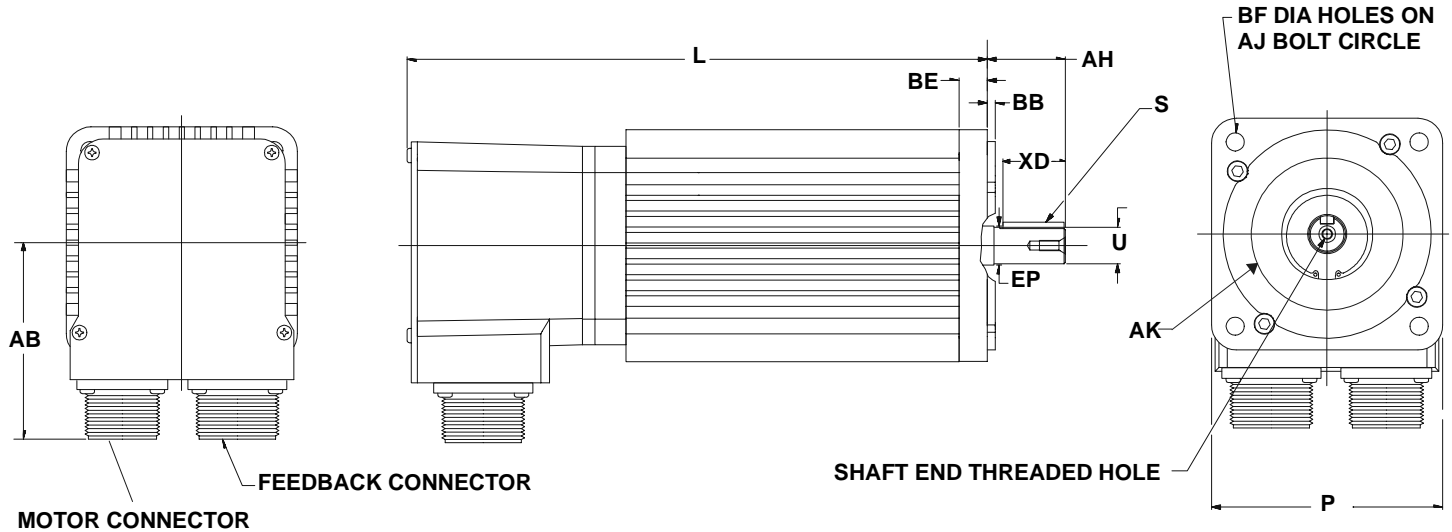
MOTOR MODEL		H-2005	H-3007	H-3016	H-4030-P	H-4030-M	H-4050
MECHANICAL DATA (1)							
Rotor Moment of Inertia	kg-m ²	0.000015	0.000030	0.000080	0.00025	0.00025	0.00046
	lb-in-s ²	0.00013	0.00027	0.00072	0.0022	0.0022	0.0041
Brake Motors Rotor Moment of Inertia	kg-m ²	-	0.000038	0.000089	0.00033	0.00033	0.00054
	lb-in-s ²	-	0.00034	0.00079	0.0029	0.0029	0.0048
Motor Weight: Net Shipping	kg/lb	2.2/5.9	2.6/7.0	4.1/11.0	6.8/18.2	6.8/18.2	9.7/26.0
	kg/lb	2.7/7.2	3.2/8.6	4.7/12.6	7.3/19.6	7.3/19.6	10.9/29.2
Brake Motor Weight: Net Shipping	kg/lb	-	3.4/9.1	4.9/13.1	8.8/23.6	8.8/23.6	11.8/31.6
	kg/lb	-	3.8/10.2	5.5/14.7	9.4/25.2	9.4/25.2	12.7/34.0
Damping	Nm/krpm	0.007	0.010	0.014	0.034	0.034	0.045
	lb-in/krpm	0.06	0.09	0.12	0.30	0.30	0.40
Friction Torque	Nm	0.014	0.014	0.028	0.034	0.034	0.068
	lb-in	0.12	0.12	0.25	0.30	0.30	0.60
Max. Operating Speed	rpm	6000	5000	5000	4000	4000	4000
WINDING DATA (1)							
Poles		4	6	6	6	6	6
Sine Wave K _T	Nm/A	0.13	0.28	0.28	0.50	0.25	0.50
	lb-in/A	1.17	2.5	2.5	4.4	2.2	4.4
Torque Constant (2)	Nm/A	0.14	0.31	0.31	0.54	0.27	0.54
	lb-in/A	1.3	2.7	2.7	4.8	2.4	4.8
Square Wave K _T	Nm/A	0.14	0.31	0.31	0.54	0.27	0.54
	lb-in/A	1.3	2.7	2.7	4.8	2.4	4.8
Torque Constant (3)	Nm/A	0.14	0.31	0.31	0.54	0.27	0.54
	lb-in/A	1.3	2.7	2.7	4.8	2.4	4.8
K _E Voltage Constant (4)	V/krpm	16	34	34	60	30	60
	V/krpm	16	34	34	60	30	60
Winding Resistance Phase to Phase at 25°C	Ohms ±10%	2.6	6.6	1.3	2.0	0.50	0.69
	Ohms ±10%	2.6	6.6	1.3	2.0	0.50	0.69
Winding Inductance Phase to Phase	mH	4.1	12	3.4	9.0	1.9	3.3
	mH	4.1	12	3.4	9.0	1.9	3.3
Thermal Resistance	°C/Watt	1.45	1.2	0.89	0.79	0.79	0.57
	°C/Watt	1.45	1.2	0.89	0.79	0.79	0.57
Dielectric Rating		Power Leads (R, S, T) to Ground: 1500 VACrms 50/60 Hz for 1 minute.					

MOTOR MODEL		H-4075	H-6100	H-6200	H-6300	H-8350	H-8500
MECHANICAL DATA (1)							
Rotor Moment of Inertia	kg-m ²	0.00068	0.0014	0.0024	0.0034	0.0063	0.0094
	lb-in-s ²	0.0060	0.012	0.021	0.030	0.056	0.083
Rotor Moment of Inertia Brake Motors	kg-m ²	0.00076	0.0017	0.0027	0.0037	0.0093	0.012
	lb-in-s ²	0.0067	0.015	0.024	0.033	0.082	0.109
Motor Weight: Net Shipping	kg/lb	12.9/34.6	18.3/49.0	27.0/72.3	34.8/93.2	44.1/118.2	58.1/155.7
	kg/lb	14.1/37.8	19.2/51.4	28.6/76.6	37.7/101.0	46.8/125.4	56.1/150.3
Brake Motor Weight: Net Shipping	kg/lb	14.9/39.9	22.5/60.3	31.6/84.7	39.2/105.0	50.9/136.4	61.8/165.6
	kg/lb	16.0/42.9	23.8/63.8	32.9/88.1	42.2/113.1	53.5/143.3	64.9/173.9
Damping	Nm/krpm	0.068	0.10	0.16	0.19	0.38	0.43
	lb-in/krpm	0.60	.90	1.4	1.7	3.4	3.8
Friction Torque	Nm	0.14	0.14	0.24	0.36	0.32	0.40
	lb-in	1.2	1.2	2.1	3.2	2.8	3.5
Max. Operating Speed	rpm	3000	3000	3000	3000	2000	2000
WINDING DATA (1)							
Poles		6	8	8	8	8	8
Sine Wave K _T	Nm/A	0.74	0.68	0.66	0.70	0.86	0.92
	lb-in/A	6.6	6.0	5.8	6.2	7.6	8.2
Torque Constant (2)	Nm/A	0.81	0.74	0.72	0.77	0.94	1.0
	lb-in/A	7.2	6.6	6.4	6.8	8.3	9.0
Square Wave K _T	Nm/A	0.81	0.74	0.72	0.77	0.94	1.0
	lb-in/A	7.2	6.6	6.4	6.8	8.3	9.0
Torque Constant (3)	Nm/A	0.81	0.74	0.72	0.77	0.94	1.0
	lb-in/A	7.2	6.6	6.4	6.8	8.3	9.0
K _E Voltage Constant (4)	V/krpm	90	82	80	85	104	112
	V/krpm	90	82	80	85	104	112
Winding Resistance Phase to Phase at 25°C	Ohms ±10%	0.90	0.49	0.18	0.12	0.13	0.10
	Ohms ±10%	0.90	0.49	0.18	0.12	0.13	0.10
Winding Inductance Phase to Phase	mH	5.4	4.4	2.2	1.2	2.5	2.4
	mH	5.4	4.4	2.2	1.2	2.5	2.4
Thermal Resistance	°C/Watt	0.48	0.34	0.31	0.24	0.23	0.21
	°C/Watt	0.48	0.34	0.31	0.24	0.23	0.21
Dielectric Rating		Power Leads (R, S, T) to Ground: 1500 VACrms 50/60 Hz for 1 minute.					
(1) Specifications are at 25°C unless otherwise noted. (3) Peak value of per phase square wave Amperes (2) Peak value of per phase sine wave Amperes (4) Peak value of sinusoidal phase to phase Volts							

STORAGE AND OPERATING CONDITIONS

Ambient Temperature:	Operating: 0 to 40°C (32 to 104°F) Storage: -30 to 70°C (-25 to 158°F)
Relative Humidity:	5% to 95% non-condensing

Dimensional Data



SHAFT END PLAY UNDER LOAD			
Maximum end play (All Motors) Direction	mm/in	Motor Series	Load (Kg/Lb)
--->	0.025/0.001	H-2000/H-3000	4.54/10.0
		H-4000	9.09/20.0
<---	0.025/0.001	H-6000/H-8000	22.7/50

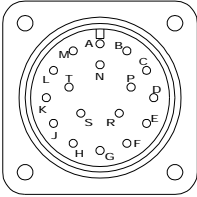
Note: End play and load are measured in inches and pounds. Metric measurements are approximate conversions from inches and pounds.

SHAFT END THREADED HOLE		
Motor Series	Thread	Thread/Depth
H-2000	M3 x 0.5MM	10mm / 0.39in
H-3000	M4 x 0.7MM	
H-4000	M6 x 1.0MM	15mm / 0.59in
H-6000	M8 x 1.25MM	20mm / 0.79in
H-8000		

Note: Motors are manufactured to millimeter dimensions. Inch dimensions are approximate conversions from millimeters.

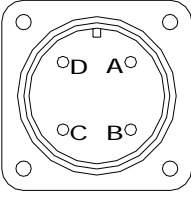
Connector Data

All H-Series Motors Encoder	
Pin	Signal
A	A+
B	A-
C	B+
D	B-
E	I+
F	I-
G	ENCODER CASE
H	ABS
J	+5VDC
K	+5VDC
L	COM
M	COM
N	HALL B
P	HALL C
R	TS+
S	TS-
T	HALL A



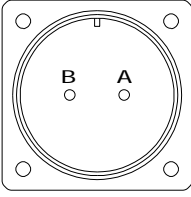
MIL-SPEC part numbers	
H-2000	MS3102R20-29P
H-3000	
H-4000	
H-6000	
H-8000	

All H-Series Motors Power	
Pin	Signal
A	R
B	S
C	T
D	MOTOR CASE



MIL-SPEC part numbers	
H-2000	MS3102R18-4P
H-3000	
H-4000	MS3102R20-4P
H-6000	MS3102R24-22P
H-8000	MS3102R32-17P

Brake (option)	
Pin	Signal
A	BR+
B	BR-



MIL-SPEC part numbers	
H-2000	MS-3102R12S-3P
H-3000	
H-4000	
H-6000	
H-8000	

Torque Specifications	
Connector	Range (lb-in)
POWER	
H-2000	70 - 75
H-3000	
H-4000	80 - 85
H-6000	100 - 110
H-8000	150 - 160
ENCODER	
All H-Series	80 - 85
BRAKE	
All H-Series	34 - 40
These connector torque specifications achieve a positive seal of the O-ring necessary for an IP65 rating.	

Options: Connectors and Shaft Seals

The H-Series motor has an IP65 rating, when coupled with environmentally sealed Military Specification (MS) cable assemblies and when an optional shaft seal is installed. Equipment rated as IP65 provides protection against the ingress of dust and water projected by a nozzle (jet) from any direction. An IP65 rating is roughly equivalent to a NEMA 12 enclosure type rating. The IP65 rating applies for any orientation of motor mounting, but it is recommended to mount the motor so the connectors project down.


If cable assemblies are used that are not environmentally sealed, the motor is rated IP40, with or without the optional shaft seal. With environmentally sealed cable assemblies and no optional shaft seal the motor rating is as follows: Motor mounted horizontally; IP51. Motor mounted shaft up; IP50. Motor mounted shaft down; IP53.

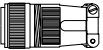
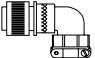
Shaft Seal Kits

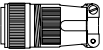
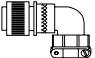
MOTOR SEAL KITS		
MOTOR SERIES	PART NUMBER	SIZE (Outside Dia x Inside Dia x Width)
H-2000	0041-5056	22mm x 12mm x 7mm (0.87" x 0.47" x 0.27")
H-3000	0041-5065	35mm x 15mm x 7mm (1.40" x 0.59" x 0.27")
H-4000	0041-5058	47mm x 20mm x 7mm (1.85" x 0.79" x 0.27")
H-6000	0041-5059	80mm x 38mm x 8mm (3.15" x 1.50" x 0.31")
H-8000	0041-5053-005	85mm x 45mm x 8mm (3.35" x 1.77" x 0.31")

NOTE: Shaft seals are manufactured to millimeter dimensions. Inch dimensions are conversions from millimeters.
Shaft seals require a lubricant to reduce wear. Lubricant is provided with kit.

MS Connector Kits

MOTOR POWER CONNECTORS			
	STRAIGHT	MOTOR SERIES	RIGHT ANGLE
	9101-0325 (MS3106F18-4S)	H-2000 and H-3000	9101-0398 (MS3108F18-4S)
	9101-0326 (MS3106F20-4S)	H-4000	9101-0399 (MS3108F20-4S)
	9101-0327 (MS3106F24-22S)	H-6000	9101-0400 (MS3108F24-22S)
	9101-0328 (MS3106F32-17S)	H-8000	9101-0401 (MS3108F32-17S)

BRAKE POWER CONNECTORS	
	STRAIGHT
	9101-0330 (MS3106F12S-3S)
	RIGHT ANGLE
	9101-0403 (MS3108F12S-3S)

ENCODER FEEDBACK CONNECTORS	
	STRAIGHT
	9101-0329 (MS3106F20-29S)
	RIGHT ANGLE
	9101-0402 (MS3108F20-29S)

Wire and Contact Sizing Recommendations

The following connector contact sizes and wiring gages are recommended for cabling to a motor.

POWER CONNECTOR		
MOTOR	CONTACT AWG(mm ²)	WIRE AWG(mm ²)
H-2005	16 (1.5)	16 (1.5)
H-3007		
H-3016		
H-4030	12 (4.0)	14 (2.5)
H-4050		
H-4075		
H-6100	8 (8.6)	12 (4.0)
H-6200		8 (10)
H-6300	4 (21.6)	6 (16)
H-8350		
H-8500		

· Sizes are recommended minimum values for 4 conductors (R, S, T and GND).
· Wiring should be twisted.
· Local regulations should always be observed.

ENCODER CONNECTOR	
CONTACT AWG(mm ²)	WIRE AWG(mm ²)
All H-Series: 16 (1.5)	24 (0.25) with Ultra Plus Series Drives
	22 (0.34) with Ultra Series 100-200 Drives

BRAKE CONNECTOR	
CONTACT AWG(mm ²)	WIRE AWG(mm ²)
16 (1.5)	18 (0.75)

· Recommended minimum mechanical size.
· Local regulations should always be observed.

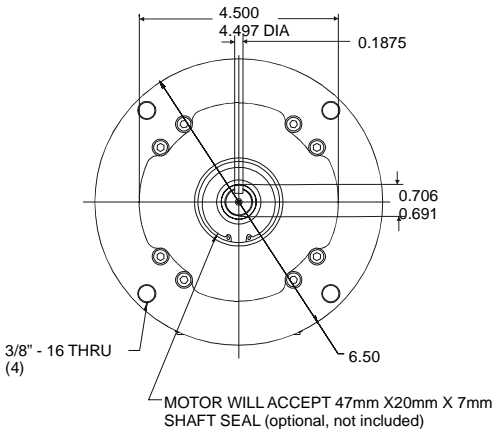
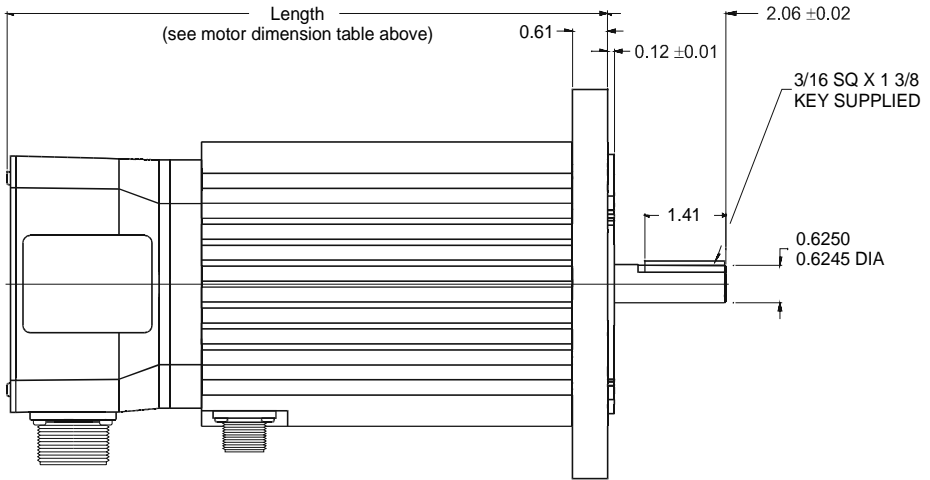
Factory manufactured power cables and encoder cables are available in standard cable lengths of 10, 25, 50 and 75 feet (3, 7.6, 15 and 23 meters).

H-4000 Series NEMA 56C Motors

MOTOR DIMENSION -		
Motors	Without Brake	With Brake
	in/mm	in/mm
H-4030 NEMA 56C	8.39/213	10.47/266
H-4050 NEMA 56C	10.39/264	12.48/317
H-4075 NEMA 56C	12.40/315	14.49/368

Note:
NEMA 56C motors are manufactured to inch dimensions. Millimeter dimensions are approximate conversions from inches.

SUPPLEMENTAL MOTOR DIMENSIONS			
Length, from motor faceplate to center of connectors			
Motors	Brake (in/mm)	Power (in/mm)	Encoder (in/mm)
H-4030	---	7.24/184	7.24/184
H-4030 Brake	6.30/160	9.29/236	9.29/236
H-4050	---	9.25/235	9.25/235
H-4050 Brake	8.31/211	11.30/287	11.30/287
H-4075	---	11.26/286	11.26/286
H-4075 Brake	10.31/262	13.30/338	13.30/338



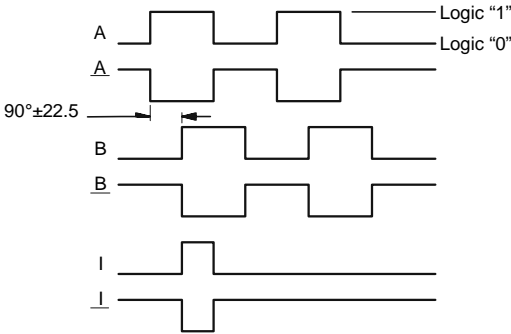
Encoder Data

ENCODER SPECIFICATIONS	
Line Count	2000 (1)
Supply Voltage	5 VDC
Supply Current	250 mA max.
Line Driver	26LS31
Line Driver Output	TTL
Index Pulse	H-2000 and H-3000 Series when key faces $180^{\circ} \pm 10$ away from the connectors
	H-4000, H-6000 and H-8000 Series when key faces the connectors ($0^{\circ} \pm 10$)

(1) Standard line count before quadrature

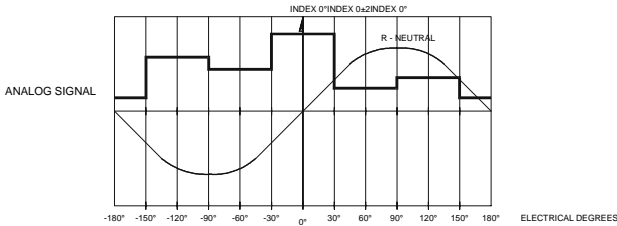
Encoders are factory aligned and must not be adjusted outside the factory.

Encoder Outputs

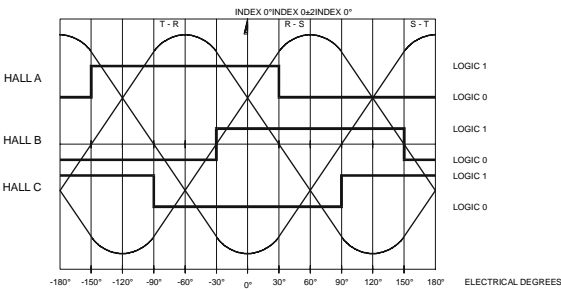


Encoder Phase-to-Neutral and Phase-to-Phase Waveforms

PHASE - NEUTRAL BACK EMF



PHASE - PHASE BACK EMF

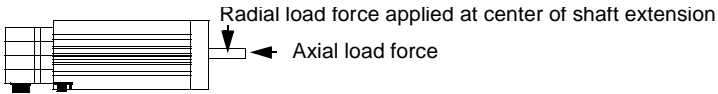


NOTE: Hall and ABS signals are in electrical degrees.
 For 4 pole commutation, 360° mechanical = 720° electrical.
 For 6 pole commutation, 360° mechanical = 1080° electrical.
 For 8 pole commutation, 360° mechanical = 1440° electrical

Motor Radial Load Force Ratings

Motors are capable of carrying an axial load in most applications. The following table provides guidelines for 20,000 hour bearing life with a specified radial load applied to the center of the shaft. Please consult with Rockwell Automation regarding loads, operating speeds and bearing life in your particular application to ensure the proper selection of motors.

STANDARD RADIAL LOAD FORCE RATINGS							
MOTOR	500 rpm lb (kg)	1000 rpm lb (kg)	2000 rpm lb (kg)	3000 rpm lb (kg)	4000 rpm lb (kg)	5000 rpm lb (kg)	6000 rpm lb (kg)
H-2005	105 (39)	84 (31)	66 (25)	58 (22)	53 (20)	49 (18)	45 (17)
H-3007	113 (42)	90 (34)	71 (27)	62 (23)	56 (21)	53 (20)	
H-3016	126 (47)	101 (38)	79 (29)	69 (26)	63 (24)	59 (22)	
H-4030	169 (63)	152 (57)	120 (45)	105 (39)	95 (35)		
H-4050	205 (77)	164 (61)	129 (48)	113 (42)	103 (38)		
H-4075	215 (80)	173 (65)	137 (51)	118 (44)	108 (40)		
H-6100	435 (162)	345 (129)	274 (102)	240 (90)			
H-6200	469 (175)	375 (140)	296 (110)	259 (97)			
H-6300	495 (185)	390 (146)	311 (116)	270 (101)			
H-8350	495 (185)	394 (147)	311 (116)				
H-8500	518 (193)	413 (154)	326 (122)				



NOTE: When motor shaft has no radial load, axial load rating = 100% of radial load rating above.
 When motor shaft has both a radial load and an axial load, axial load rating = 44% of radial load rating above.

Brake Motor Application Guidelines

The brakes offered as options on these servo motors are holding brakes. They are designed to hold the motor shaft at 0 rpm for up to the rated brake holding torque. The brakes are spring-set type, and release when voltage is applied to the brake coil.

The brakes are *not* designed for stopping rotation of the motor shaft. Servo drive inputs should be used to stop motor shaft rotation. The recommended method of stopping motor shaft rotation is to command the servo drive to decelerate the motor to 0 rpm, and engage the brake after the servo drive has decelerated the motor to 0 rpm.

If system main power fails, the brakes can withstand use as stopping brakes. However, use of the brakes as stopping brakes creates rotational mechanical backlash that is potentially damaging to the system, increases brake pad wear and reduces brake life. The brakes are *not* designed nor are they intended to be used as a safety device.

A separate power source is required to disengage the brake. This power source may be controlled by the servo motor controls, in addition to manual operator controls.

Brake Specifications

BRAKE DATA					
MOTOR SERIES	MAX. BACKLASH (BRAKE ENGAGED)	HOLDING TORQUE		COIL CURRENT	
		(lb/in)	(Nm)	at 24 VDC	at 90 VDC
H-3000	1 degree, 30 minutes	20	2.26	0.50 ADC	0.13 ADC
H-4000	44 minutes	90	10.2	0.69 ADC	0.20 ADC
H-6000	29 minutes	275	31.1	1.30 ADC	0.48 ADC
H-8000	21 minutes	450	50.8	2.00 ADC	0.75 ADC

Motor Installation

Observe the following installation guidelines and those in the Product Notice:



ATTENTION: Motors and linkages must be securely mounted for a system to be operational. Disassembled equipment should be appropriately identified (tagged-out) and access to electrical power restricted (locked-out).

Failure to observe these safety procedures could result in personal injury and damage to equipment.

1. Do not run motors that are not properly mounted. Attach all power and data cables after the motor is mounted.
2. Mount motors with connectors pointing downward and use a drip loop in the cable to keep liquids flowing away from the connectors.
3. Consider motor case temperature if necessary to safeguard operator and maintenance staff. Maximum case temperature is approximately 100°C (212°F) for a motor used at continuous rating in a 40°C ambient temperature.
4. The installer must comply with all local regulations and should use equipment and installation practices that promote electromagnetic compatibility and safety.

Preventing Electrical Noise

ElectroMagnetic Interference (EMI), commonly called “noise”, may adversely impact motor performance by inducing stray signals. Effective techniques to counter EMI include filtering the AC power, shielding and separating signal carrying lines, and practicing good grounding techniques. Effective AC power filtering can be achieved through the use of isolated AC power transformers or properly installed AC line filters. Physically separate signal lines from motor cabling and power wiring; do *not* parallel signal wires with motor or power wires or route signal wires over the vent openings of servo drives. Ground all equipment using a single-point parallel ground system that employs ground bus bars or straps. If necessary, use electrical noise remediation techniques to mitigate EMI in “noisy” environments.

Knowledgeable cable routing and careful cable construction improves system electromagnetic compatibility (EMC). General cable build and installation guidelines include:

1. Keep wire lengths as short as physically possible.
2. Route signal cables (encoder, serial, analog) away from motor and power wiring.
3. Separate cables by 1 foot minimum for every 30 feet of parallel run.
4. Ground both ends of the encoder cable and twist the signal wire pairs.
5. Use shielded motor cables when necessary to prevent electromagnetic interference (EMI) with other equipment.

Couplings and Pulleys

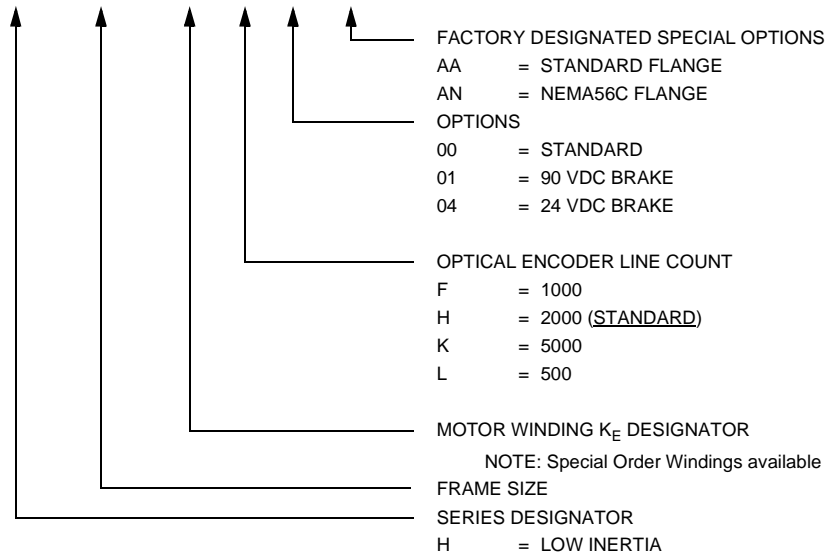
Mechanical connections to the motor shaft, such as couplings and pulleys, require a rigid coupling or a reinforced timing belt. The high dynamic performance of servo motors can cause couplings, pulleys or belts to loosen or slip over time. A loose or slipping connection will cause system instability and may damage the motor shaft and keyway. All connections between the system and the servo motor shaft must be rigid to achieve acceptable response from the system. Connections should be periodically inspected to verify the rigidity.

When mounting couplings or pulleys to the motor shaft, ensure that the connections are properly aligned and that axial and radial loads are within the specifications of the motor. The section “Load Force Ratings” provides guidelines to achieve 20,000 hours of bearing life. Additional information about load force ratings, including graphical depiction of varied load ratings and bearing life, is available for any motor from the Technical Support groups listed on the back cover.

Product Information

Motor Part Number Identification

H - 4030 - P - H 00 AA



Disposal or Warranty Return of Motors

Motors may contain environmentally regulated materials, such as lead solder and circuit boards. When disposing of a motor, please recycle motors per regulations at your location. You may choose to return a motor for disposal by contacting your supplier.

Please contact the source that supplied the motor for warranty, non-warranty, or disposal work. All returned products require a Return Material Authorization (RMA) number for efficient processing and tracking.

For more information refer to our web site: www.ab.com/motion

Reach us now at www.rockwellautomation.com

Wherever you need us, Rockwell Automation brings together leading brands in industrial automation including Allen-Bradley controls, Reliance Electric power transmission products, Dodge mechanical power transmission components, and Rockwell Software. Rockwell Automation's unique, flexible approach to helping customers achieve a competitive advantage is supported by thousands of authorized partners, distributors and system integrators around the world.

Americas Headquarters, 1201 South Second Street, Milwaukee, WI 53204, USA, Tel: (1) 414 382-2000, Fax: (1) 414 382-4444
European Headquarters SA/NV, avenue Hermann Debroux, 46, 1180 Brussels, Belgium, Tel: (32) 2 663 06 00, Fax: (32) 2 663 06 40
Asia Pacific Headquarters, 27/F Citicorp Centre, 18 Whitfield Road, Causeway Bay, Hong Kong, Tel: (852) 2887 4788, Fax: (852) 2508 1846



**Rockwell
Automation**