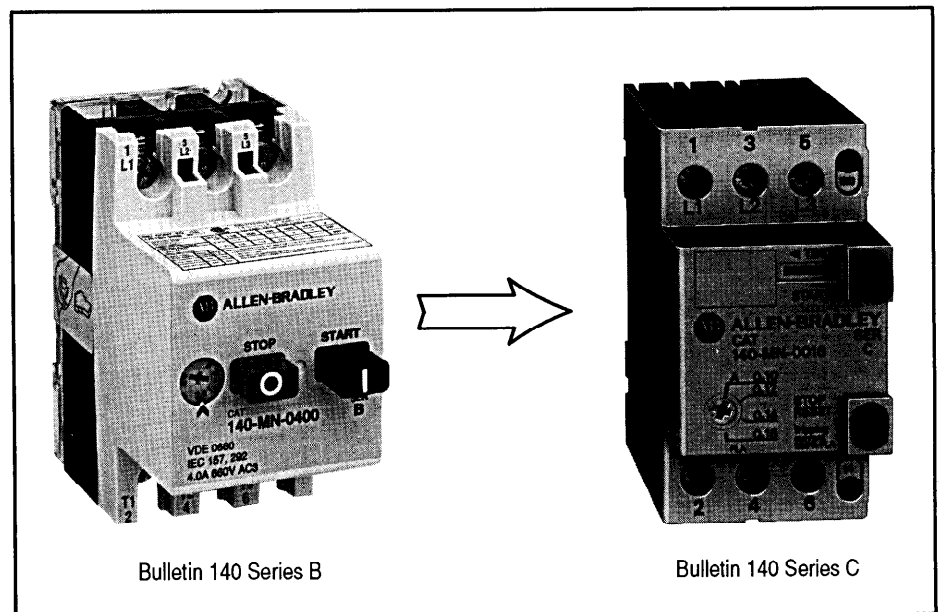




Bulletin 140 Manual Motor Starter and Protector Series A & B to Series C

Cross Reference



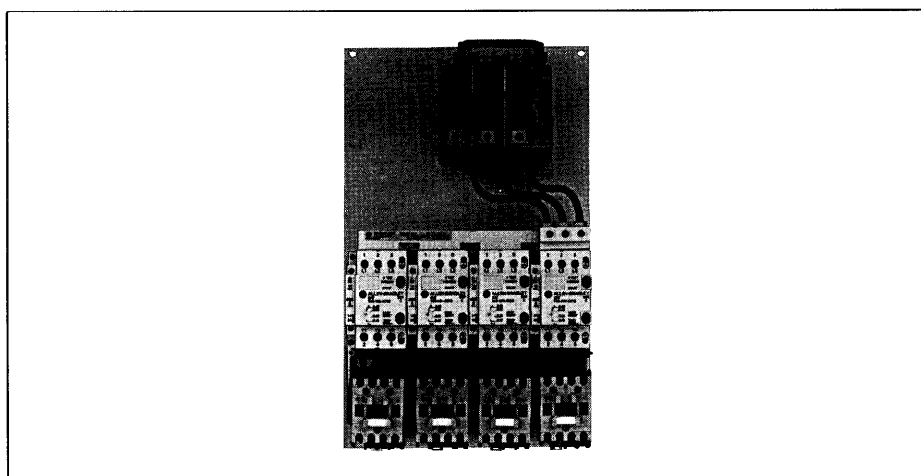
The Bulletin 140 Series C Manual Motor Starter and Protector replaces the Bulletin 140 Series A and B. The Series C provides significant benefits to the user. The major advantages of the Series C are its short circuit current handling capability, providing higher withstand ratings and Type 2 coordination; its easier wiring; and the physical ruggedness of its accessories. Additional information about the advantages of Series C are found on the following pages.

Transition to the Series C requires very little adjustment for the panel builder or user because motor ratings and most modifications and accessories are similar to those of the Series A and B. The cross reference on the following pages should be useful for specifying Series C.

Bulletin 140 Series C New Features

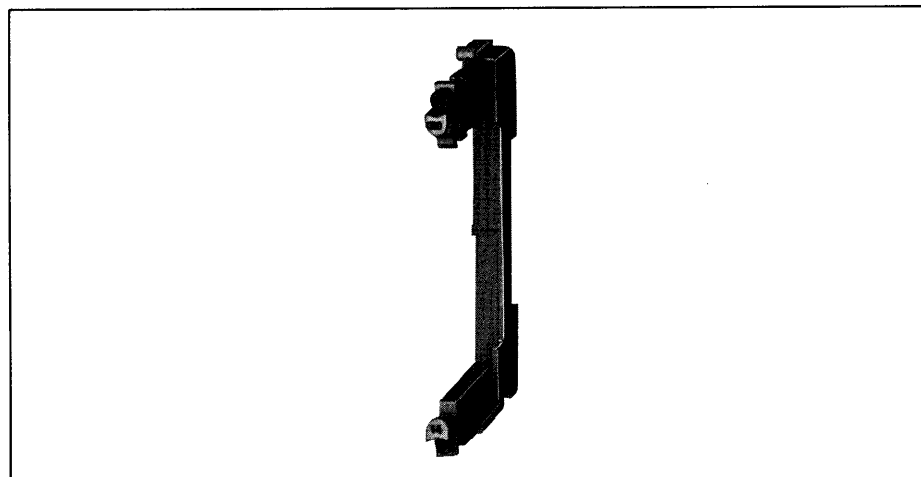
1. Highest group installation ratings, 1200A fuse or circuit breaker.
 - A measure of Series C quality.
 - Circuit breakers no longer need to be current limiting.
2. Type 2 coordination with group installation.
 - Starter and contactor are reusable after a short circuit.
 - Exceeds UL requirements for circuit component protection.

Figure 1
Typical Panel Assembly



3. Internal auxiliary contact available for most compact installation.
 - No additional width required.
 - 45 mm starter spacing possible.

Figure 2
Internal Auxiliary Contact

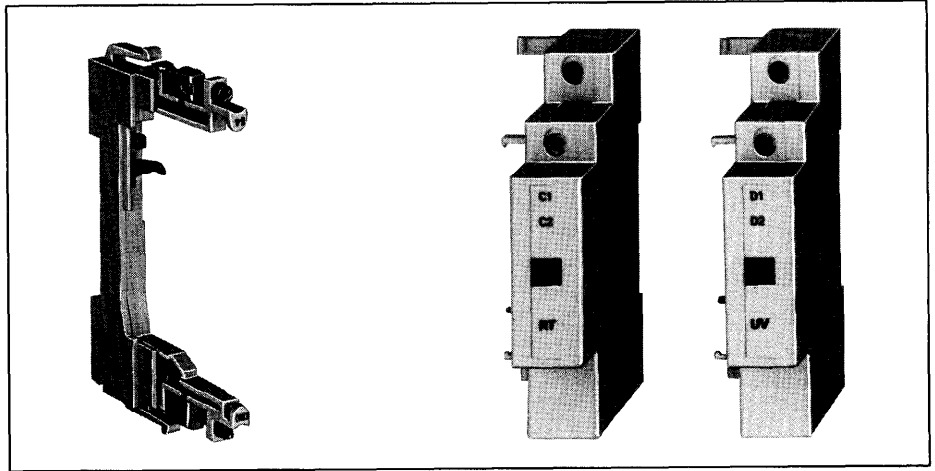


Product Data

Bulletin 140 Manual Motor Starter and Protector
Cross Reference from Series A and B to Series C

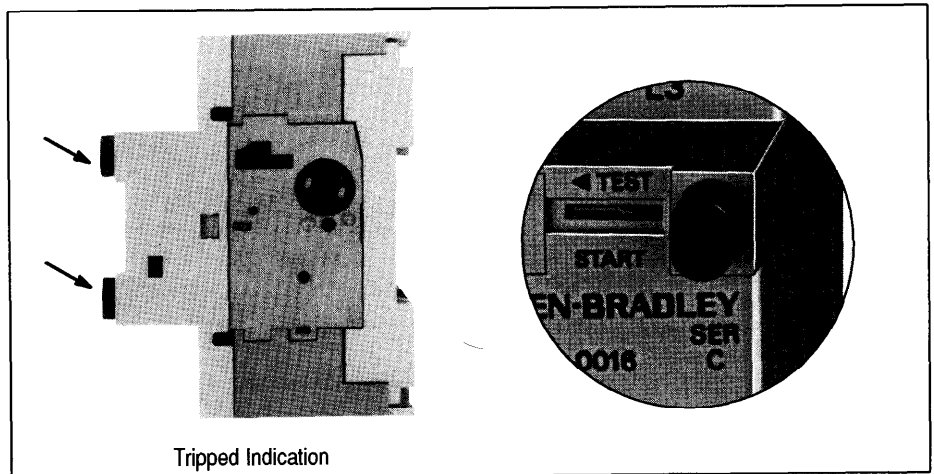
4. All accessory wiring brought to wire clamp terminals.
- Trip indicating contacts, undervoltage coil and shunt trip coils easy to wire.
 - Wire splices not required.

Figure 3
Trip Indicating Contact, Shunt Trip, Undervoltage Trip



5. Visible trip indication.
- Selector on starter for trip indication and manual reset.
6. Test trip lever on starter.

Figure 4
Bulletin 140 Starter



Product Data

Bulletin 140 Manual Motor Starter and Protector
Cross Reference from Series A and B to Series C

7. Choice of 45 mm or 54 mm commoning link spacing.
8. Rugged new adapter plate for Bulletin 140 and Bulletin 100 Contactor.
 - Permits snap on installation of Bulletin 140 and Bulletin 100 as a unit on DIN rail.

Figure 5
Bulletin 140 Commoning Link and Adapter Plate

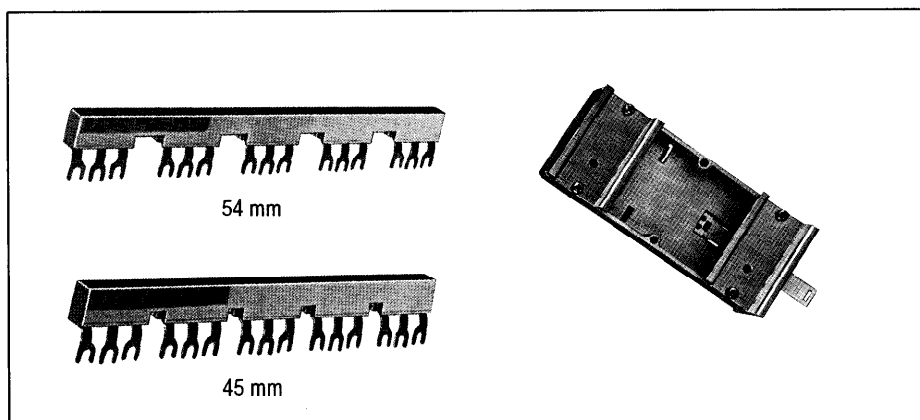


Table 1
Cross Reference Table

Bulletin 140 Series A & B Cat. No.	Replaced with	Bulletin 140 Series C Cat. No.
140-MN-0016	Manual Motor Starter and Protector	140-MN-0016
140-MN-0024		140-MN-0025
140-MN-0040		140-MN-0040
140-MN-0060		140-MN-0063
140-MN-0100		140-MN-0100
140-MN-0160		140-MN-0160
140-MN-0240		140-MN-0250
140-MN-0400		140-MN-0400
140-MN-0600		140-MN-0630
140-MN-1000		140-MN-1000
140-MN-1600		140-MN-1600
140-MN-2000		140-MN-2000
140-MN-2500		140-MN-2500
140-A10		Auxiliary Contacts 1 NO
	Auxiliary Contacts 1 NO	140-A210
140-A01	Auxiliary Contacts 1 NC	140-A01
	Auxiliary Contacts 1 NC	140-A201

Product DataBulletin 140 Manual Motor Starter and Protector
Cross Reference from Series A and B to Series C**Table 1**
Cross Reference Table (Continued)

Bulletin 140 Series A & B Cat. No.	Replaced with	Bulletin 140 Series C Cat. No.
140-A11	Auxiliary Contacts 1 NO, 1 NC	140-A11
140-A20	Auxiliary Contacts 2 NO	140-A20
140-A20L	Auxiliary Contacts Early Make	140-A10L
	Auxiliary Contacts 2 NC	140-A02
140-CL1	Current Limiter	140-CL2
140-DC1	Adapter Plate	140-DC1
140-L1	Commoning Link, 5 Station	140-L1
140-L2	Terminal	140-L2
	Terminal, DIN Rail Mounting	140-LD
140-L3	Cover for unused station	⁽¹⁾
140-L11	Commoning Link, 4 Station	140-L11
140-L12	Commoning Link, 2 Station	140-L12
140-L13	Commoning Link, 3 Station	Use (2) 140-L12's
	Commoning Link, 2 Station 45 mm	140-L452
	Commoning Link, 4 Station 45 mm	140-L454
	Commoning Link, 5 Station 45 mm	140-L455
140-MAF	Flush Mounting Enclosure IP41	Use Panel Mounting
140-MJF	Flush Mounting Enclosure IP55	Use Panel Mounting
140-MAG	Enclosure IP41	140-E41
140-MJD	Enclosure IP55	140-E55
140-N1	Neutral Terminal	Provided In Enclosures
140-N2	Padlock Attachment	140-N24
140-N3	Emergency Stop Button	⁽²⁾
140-N4	Emergency Stop Button	⁽²⁾
140-N5	Emergency Stop Button	⁽²⁾
140-N6	Blade Terminals	Not Available
140-N9	Overload Seal Fitting	Not Available
	Locking Attachment	140-N20
140-N11	Connector Kit	140-N11
140-PLR1	Pilot Light 120V	140-LR120
140-PLR2	Pilot Light 140V	140-LR240
140-PLR3	Pilot Light 415V, 480V	140-LR415, LR480

⁽¹⁾ Re-arrange layout or use extra L2's and bypass gap with wire.⁽²⁾ Use Shunt Trip and Bulletin 800 push button.

Product Data

Bulletin 140 Manual Motor Starter and Protector
Cross Reference from Series A and B to Series C

Table 1
Cross Reference Table (Continued)

Bulletin 140 Series A & B Cat. No.	Replaced with	Bulletin 140 Series C Cat. No.
140-RT120	Shunt Trip 120V	140-RT120
140-RT208	Shunt Trip 208V	140-RT208
140-RT240	Shunt Trip 240V	140-RT240
140-RT480	Shunt Trip 480V	140-RT480
140-T10, 140-T10L	Trip Indicating Contacts NO	140-T10
140-T01, 140-T01L	Trip Indicating Contacts NC	140-T01
140-UV120	Undervoltage Trip 120V	140-UV120
140-UV208	Undervoltage Trip 208V	140-UV208
140-UV240	Undervoltage Trip 240V	140-UV240
140-UV480	Undervoltage Trip 480V	140-UV460
	Panel Mounting Adapter	140-N12



ALLEN-BRADLEY
A ROCKWELL INTERNATIONAL COMPANY

Allen-Bradley has been helping its customers improve productivity and quality for 90 years. A-B designs, manufactures and supports a broad range of control and automation products worldwide. They include logic processors, power and motion control devices, man-machine interfaces and sensors. Allen-Bradley is a subsidiary of Rockwell International, one of the world's leading technology companies.



With major offices worldwide.

Algeria • Argentina • Australia • Austria • Bahrain • Belgium • Brazil • Bulgaria • Canada • Chile • China, PRC • Colombia • Costa Rica • Croatia • Cyprus • Czech Republic • Denmark • Ecuador • Egypt • El Salvador • Finland • France • Germany • Greece • Guatemala • Honduras • Hong Kong • Hungary • Iceland • India • Indonesia • Israel • Italy • Jamaica • Japan • Jordan • Korea • Kuwait • Lebanon • Malaysia • Mexico • New Zealand • Norway • Oman • Pakistan • Peru • Philippines • Poland • Portugal • Puerto Rico • Qatar • Romania • Russia-CIS • Saudi Arabia • Singapore • Slovakia • Slovenia • South Africa, Republic • Spain • Switzerland • Taiwan • Thailand • The Netherlands • Turkey • United Arab Emirates • United Kingdom • United States • Uruguay • Venezuela • Yugoslavia

World Headquarters, Allen-Bradley, 1201 South Second Street, Milwaukee, WI 53204 USA, Tel: (1) 414 382-2000 Fax: (1) 414 382-4444