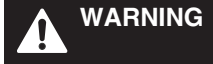




Class R Fuse Kit Installation Instructions for Bulletin 1494H (Heavy Duty) Safety Switches

(Cat 1401-N70, -N71, -N72, -N73, -N74, -N76, -N77)

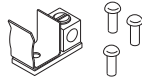


WARNING

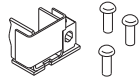
To prevent electrical shock, disconnect from power source before installing or servicing.

30A Class R Fuse Clip Kit

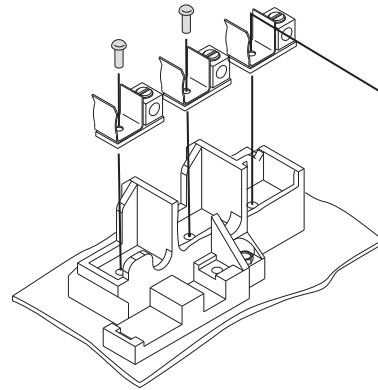
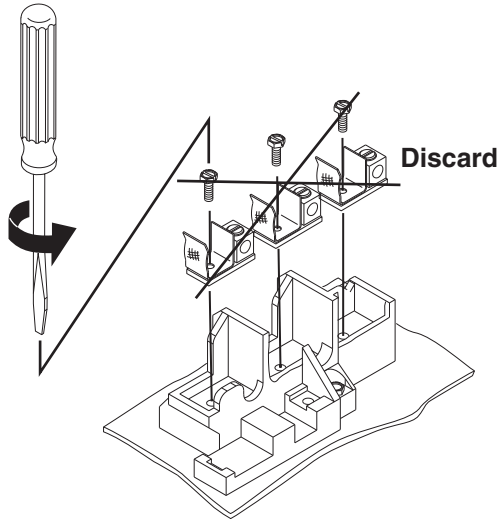
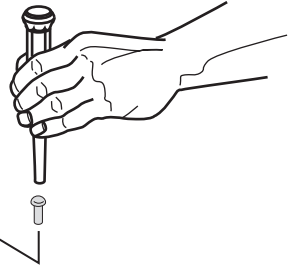
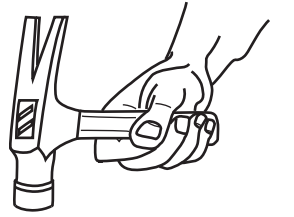
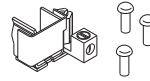
1401-N70
30A - 250VAC
Type 1, 3R, 12



1401-N71
30A - 600VAC
Type 1, 3R

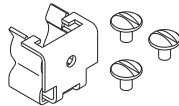


1401-N72
30A - 600VAC
Type 12

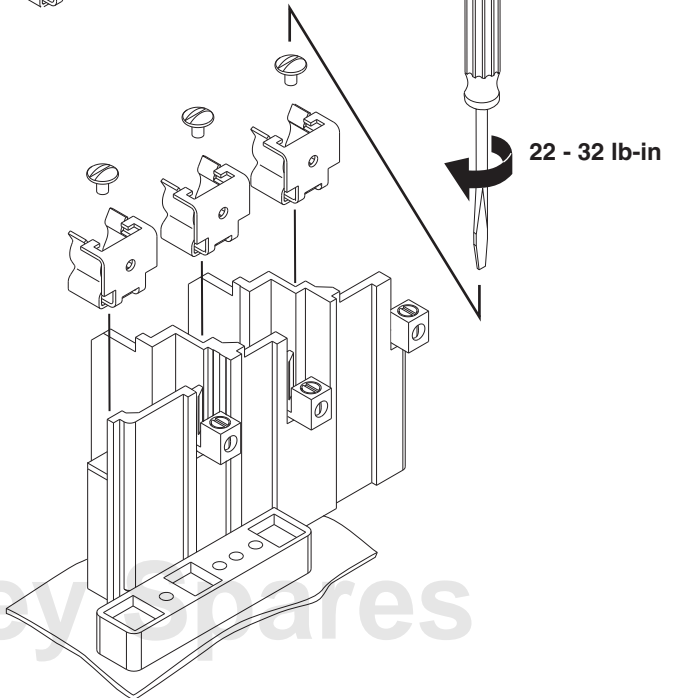
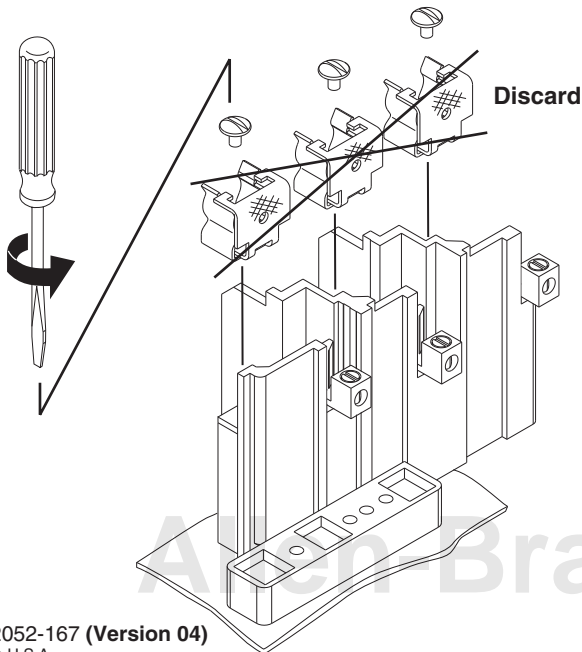
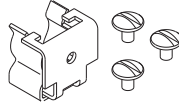


60A Class R Fuse Clip Kit

1401-N73
60A - 250VAC
Type 1, 3R, 12

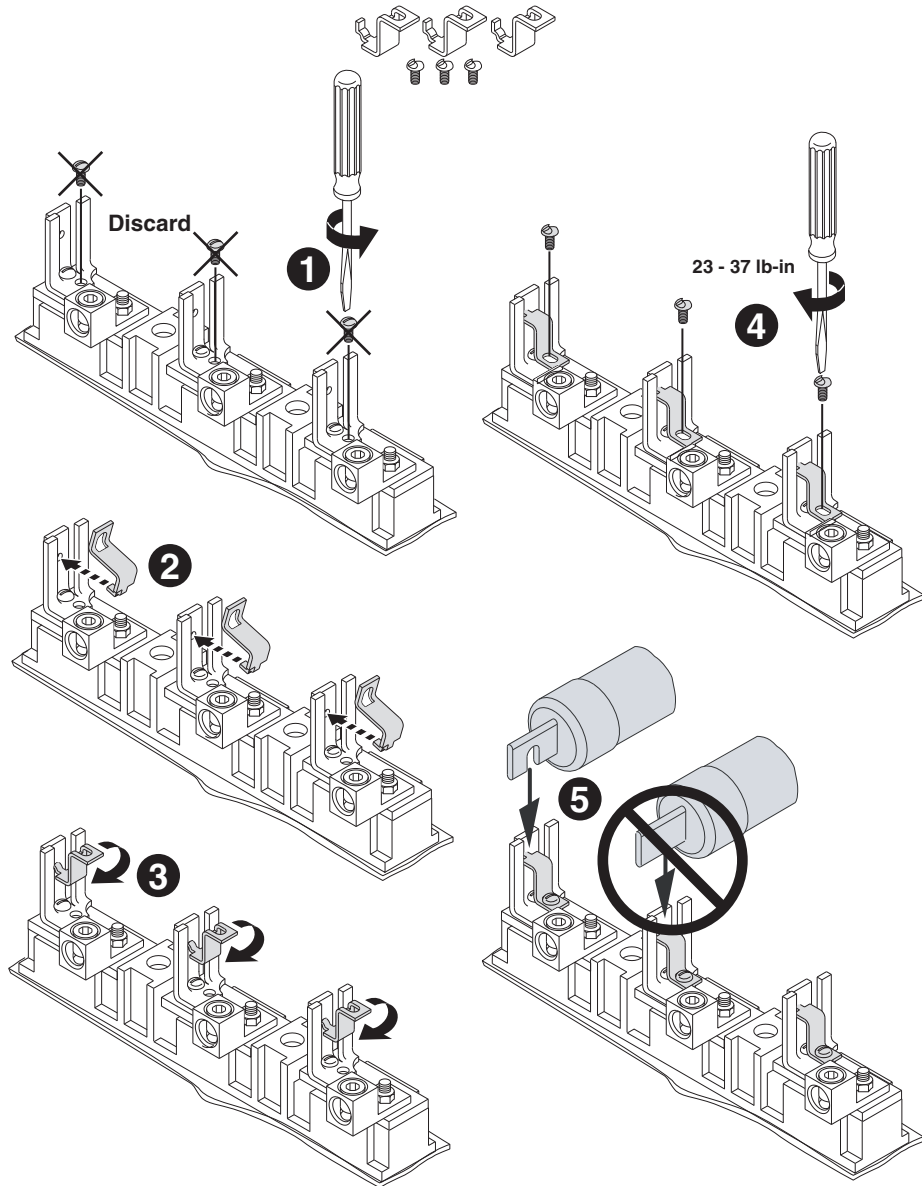


1401-N74
60A - 600VAC
Type 1, 3R, 12



100A Class R Fuse Clip Kit

1401-N76
100A - 250VAC / 600VAC
Type 12



100A / 200A Class R Fuse Clip Kit

1401-N77
100A / 200A - 250VAC / 600VAC
Type 1, 3R, 12

