



Smart Communications Card (Cat. No. 1403-NSC)

Purpose of This Document

This Document Update revises the following publication. Keep this Document Update for reference.

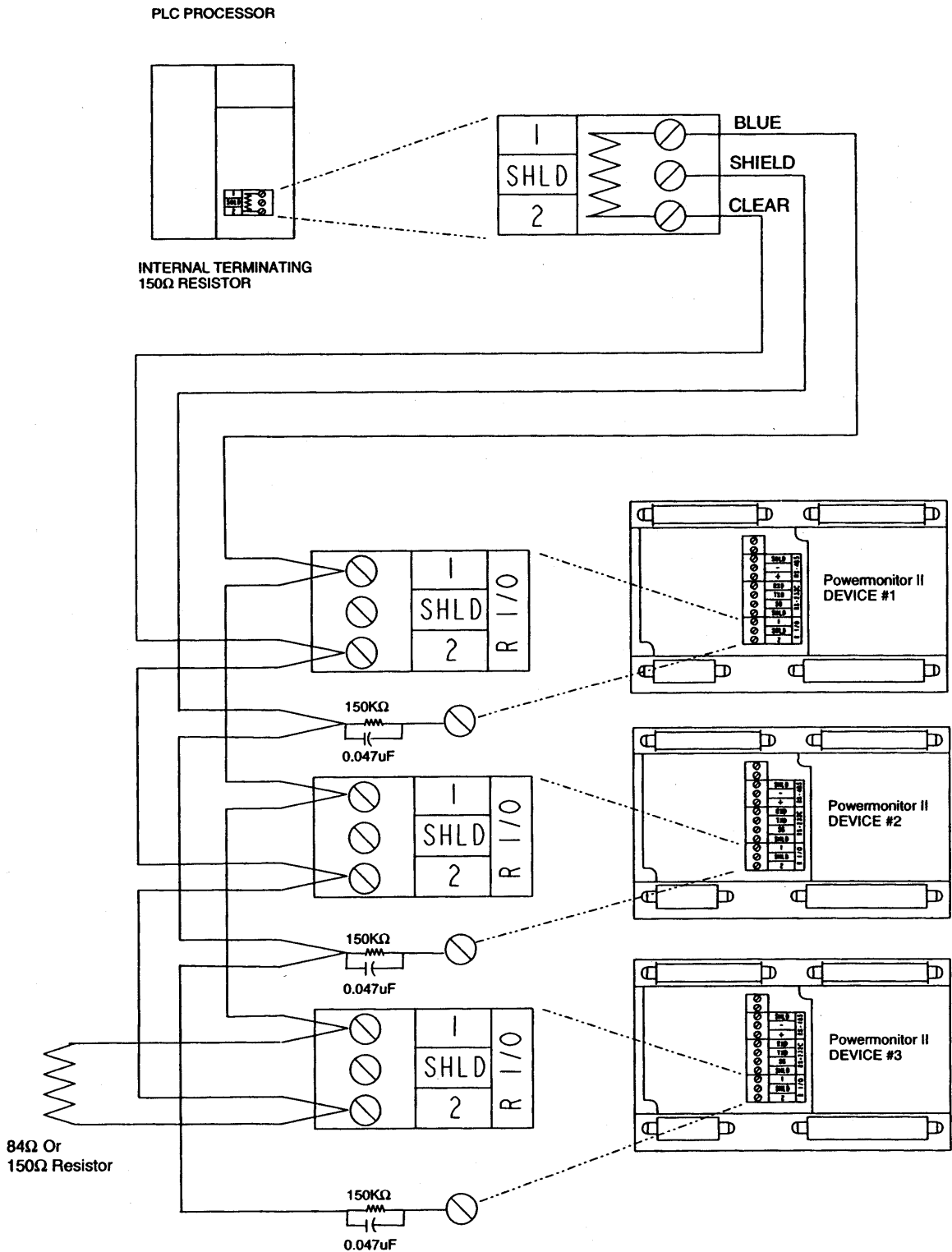
Publication Name	Publication Number
Smart Communications Card Instruction Sheet	1403-5.1, January 1998

Summary of Update

The following table summarizes the information contained in this Document Update.

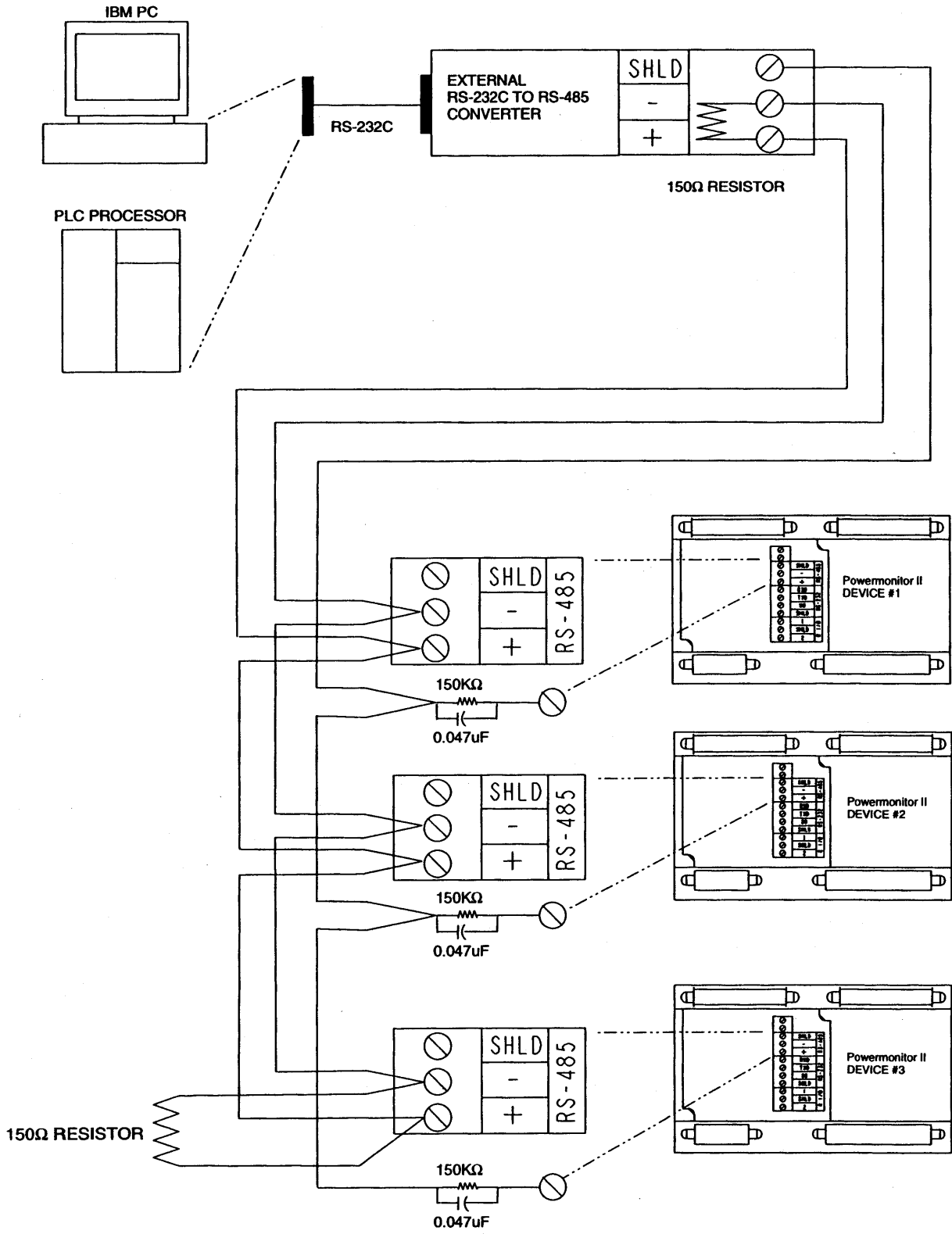
Affected Pages	Action to Take	Change
5	Note the change in your Instruction Sheet	Review the illustration below.
6	Note the change in your Instruction Sheet	Review the illustration below.
B-3	Note the change in your Instruction Sheet	Change the name for Parameter Number 1.31 to Filter Mode (1403-MM) or Enable THD (1403-LM). Change the Master Module Range to 1 to 3 (1403-MM) or 0 to 1 (1403-LM). Change the Range to 1 to 3 (1403-MM) or 0 to 1 (1403-LM).
B-3	Note the change in your Instruction Sheet	Parameters 1.23, 1.24, 1.25, 1.26, 1.27, and 1.28 are available only on the 1403-MM. A write of any value on a 1403-LM will always return a value of 1, 1, 0, -1, 0.0 or 0.0 respectively.
B-5	Note the change in your Instruction Sheet	Change Parameter Number 3.5 Parameter Name to KW Hour Data for Set Command. Change Parameter Number 3.6 Parameter Name to KVAR Hour Data for Set Command. Change the year portion of Parameter Number 3.8 Range from 0-99 to 1998 to 2097.
B-6	Note the change in your Instruction Sheet	Change the year portion of Parameter Number 4.1 Range from 0-99 to 1998 to 2097.
B-7	Note the change in your Instruction Sheet	Change the year portion of Parameter Number 5.1 Range from 0-99 to 1998 to 2097.
B-9	Note the change in your Instruction Sheet	Change the year portion of Parameter Number 6.1 Range from 0-99 to 1998 to 2097.
B-10	Note the change in your Instruction Sheet	Change the year portion of Parameter Number 7.1 Range from 0-99 to 1998 to 2097.
B-11	Note the change in your Instruction Sheet	Change the year portion of Parameter Number 8.1 Range from 0-99 to 1998 to 2097.
B-12	Note the change in your Instruction Sheet	Change Parameter Number 9.1 Parameter Name from Event Time Log Stamp to Snapshot Log Time Stamp. Change the year portion of Parameter Number 9.1 Range from 0-99 to 1998 to 2097.
B-13	Note the change in your Instruction Sheet	Change Parameter Number 10.1 Parameter Name from Event Time Log Stamp to Snapshot Log Time Stamp. Change the year portion of Parameter Number 10.1 Range from 0-99 to 1998 to 2097.
B-15	Note the change in your Instruction Sheet	Change the year portion of Parameter Numbers 11.1, 11.2 and 11.4 Range from 0-99 to 1998 to 2097.
B-27	Note the change in your Instruction Sheet	Change the year portion of Parameter Number 19.1 Range from 0-99 to 1998 to 2097.
B-29	Note the change in your Instruction Sheet	Change the year portion of Parameter Number 20.1 Range from 0-99 to 1998 to 2097.
B-32	Note the change in your Instruction Sheet	Change the year portion of Parameter Number 22.1 Range from 0-99 to 1998 to 2097.

R I/O Wiring



Note: For CE compliance the communication cable shield must be terminated through a parallel RC network (150K Ohms, 0.047 micro Farads; provided) to the chassis ground terminal located on the communication card cover-plate. The RC network wiring should be as short as possible.

RS-485 Wiring



Note: For CE compliance, the communication cable shield must be terminated through a parallel RC network (150K Ohms, 0.047 micro Farads; provided) to the chassis ground terminal located on the communication card cover-plate. The RC network wiring should be as short as possible.

Year 2000 Compliant

The Bulletin 1403 Powermonitor and the Communication Cards are Year 2000 Compliant.



Rockwell Automation helps its customers receive a superior return on their investment by bringing together leading brands in industrial automation, creating a broad spectrum of easy-to-integrate products. These are supported by local technical resources available worldwide, a global network of system solutions providers, and the advanced technology resources of Rockwell.

Worldwide representation.



Argentina • Australia • Austria • Bahrain • Belgium • Bolivia • Brazil • Bulgaria • Canada • Chile • China, People's Republic of • Colombia • Costa Rica • Croatia • Cyprus • Czech Republic • Denmark • Dominican Republic • Ecuador • Egypt • El Salvador • Finland • France • Germany • Ghana • Greece • Guatemala • Honduras • Hong Kong • Hungary • Iceland • India • Indonesia • Iran • Ireland • Israel • Italy • Jamaica • Japan • Jordan • Korea • Kuwait • Lebanon • Macau • Malaysia • Malta • Mexico • Morocco • The Netherlands • New Zealand • Nigeria • Norway • Oman • Pakistan • Panama • Peru • Philippines • Poland • Portugal • Puerto Rico • Qatar • Romania • Russia • Saudi Arabia • Singapore • Slovakia • Slovenia • South Africa, Republic of • Spain • Sweden • Switzerland • Taiwan • Thailand • Trinidad • Tunisia • Turkey • United Arab Emirates • United Kingdom • United States • Uruguay • Venezuela

Rockwell Automation Headquarters, 1201 South Second Street, Milwaukee, WI 53204 USA, Tel: (1) 414 382-2000, Fax: (1) 414 382-4444

Rockwell Automation European Headquarters SA/NV, avenue Hermann Debrouxlaan, 46, 1160 Brussels, Belgium, Tel: (32) 2 663 06 00, Fax: (32) 2 663 06 40

Rockwell Automation Asia Pacific Headquarters, 27/F Citicorp Centre, 18 Whitfield Road, Causeway Bay, Hong Kong, Tel: (852) 2887 4788, Fax: (852) 2508 1846