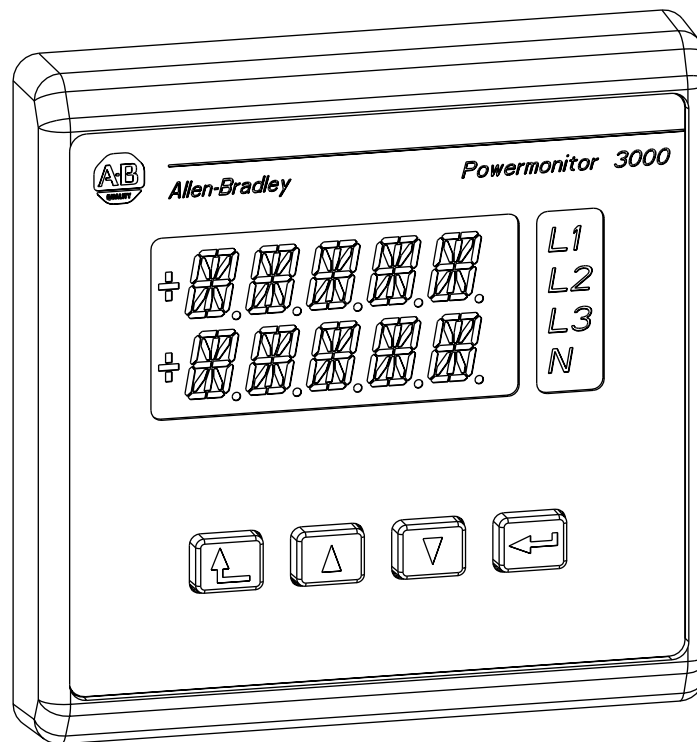




Bulletin 1404 Powermonitor 3000 Display Module

(Cat. No. 1404-DM)



Description

The Bulletin 1404 Display Module, an optional input/output device, can be used to set up and configure the Bulletin 1404 Master Module for operation. This is accomplished through the Display Module's front panel which includes four tactile operator buttons and a highly visible LED display. Device power and all communication between the Display Module and the Master Module are provided through a shielded, 4 twisted-pair cable. The Display Module is easily mounted into a typical instrument panel analog meter cutout.

Mounting of Display Module

Protective Enclosure

A suitable enclosure should be used to protect the rear surfaces of the Display Module from atmospheric contaminants such as oil, moisture, dust and corrosive vapors plus other harmful airborne substances. The Display Module's gasketed front panel interface to the protective enclosure is rated as an IP65 degree of protection [National Electrical Manufacturer's Association (NEMA)/Underwriters Laboratories (UL) 508, Type 4 (Indoor)] per International Standard IEC 529.

Installation and Orientation

The Display Module can be oriented in any position. The most typical orientation is shown in Figure 1. The Display Module is designed to fit into a protective enclosure cutout that has a minimum depth of 50 mm (2.0 in.) behind the mounting panel. The recommended Display Module mounting hole pattern and dimensions are defined in Figure 2. Ensure that the gasket provided is not contaminated with foreign matter and is installed in the Display Module correctly. Install the Display Module into the protective enclosure's front panel using four M4 nut/lock washer assemblies as shown in Figure 2. Tighten the M4 nut/lock washer assemblies to 0.9 to 1.1 Nm (8 to 10 lb-in).

ATTENTION



Failure to comply with these mounting requirements may cause damage to the Display Module or compromise the IP65 [NEMA/UL 508, Type 4 (INDOOR)] degree of protection per International Standard IEC 529.

Figure 1 Display Module Dimensions

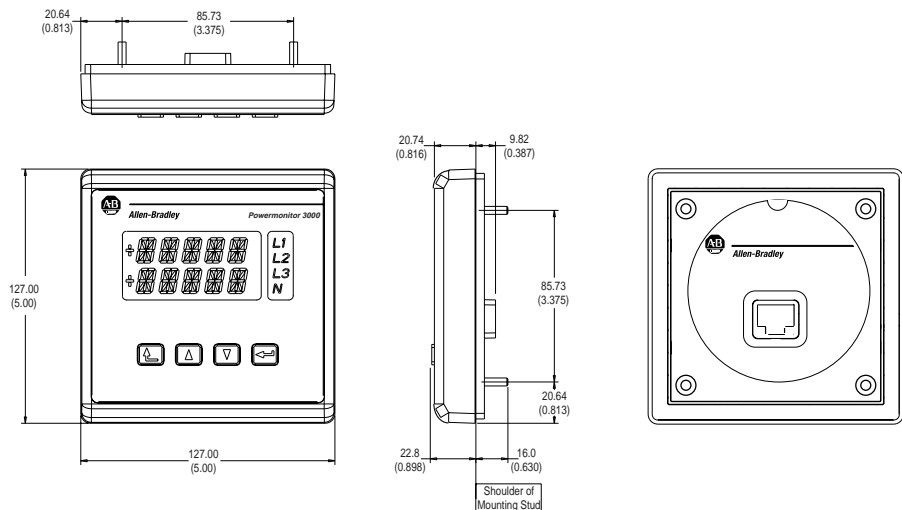
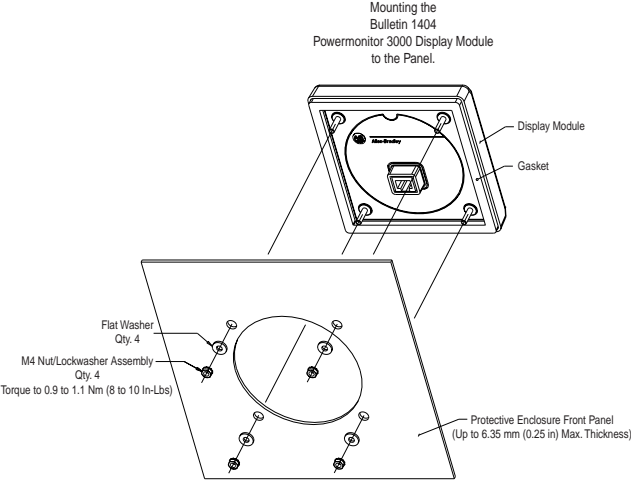
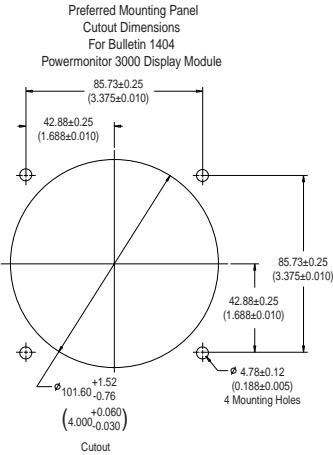


Figure 2 Display Module Panel Cutouts and Mounting Sequence

NOTE Illustration is not to scale. See Figure 4, Display Module Mounting



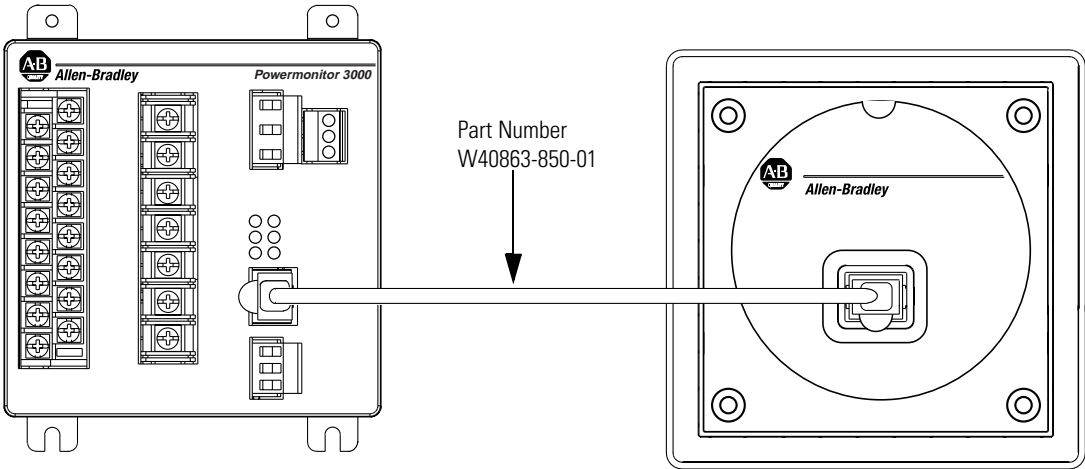
Wiring of Display Module

The Master Module powers the Display Module. See Figure 3.

Use supplied Allen-Bradley Replacement DM cable Part # W40863-850-01 or equivalent category 5, shielded, with 4 twisted-pair, straight-through (not crossed).

Recommended maximum cable length: 3m (10 ft).

Figure 3 Wiring Display Module to Master Module

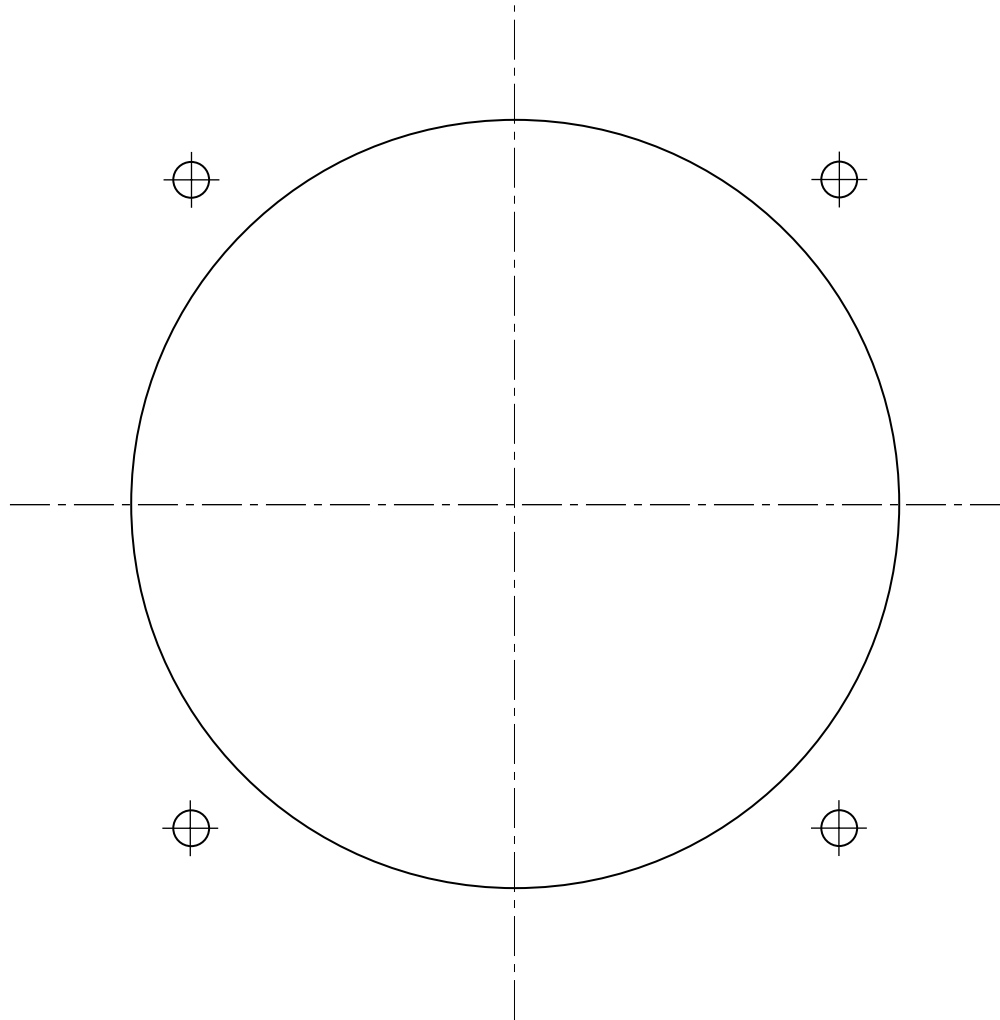


Additional Information

For additional information regarding mounting, wiring, or the use of the Display Module to configure the Master Module, refer to *Bulletin 1404 Powermonitor 3000 Instruction Sheet*, Publication 1404-IN001A-US-P.



Figure 4 Display Module Mounting Template



Allen-Bradley

Reach us now at www.rockwellautomation.com

Wherever you need us, Rockwell Automation brings together leading brands in industrial automation including Allen-Bradley controls, Reliance Electric power transmission products, Dodge mechanical power transmission components, and Rockwell Software. Rockwell Automation's unique, flexible approach to helping customers achieve a competitive advantage is supported by thousands of authorized partners, distributors and system integrators around the world.

Americas Headquarters, 1201 South Second Street, Milwaukee, WI 53204, USA, Tel: (1) 414 382-2000, Fax: (1) 414 382-4444
European Headquarters SA/NV, avenue Herrmann Debroux, 46, 1160 Brussels, Belgium, Tel: (32) 2 663 06 00, Fax: (32) 2 663 06 40
Asia Pacific Headquarters, 27/F Citicorp Centre, 18 Whitfield Road, Causeway Bay, Hong Kong, Tel: (852) 2887 4788, Fax: (852) 2508 1846



**Rockwell
Automation**