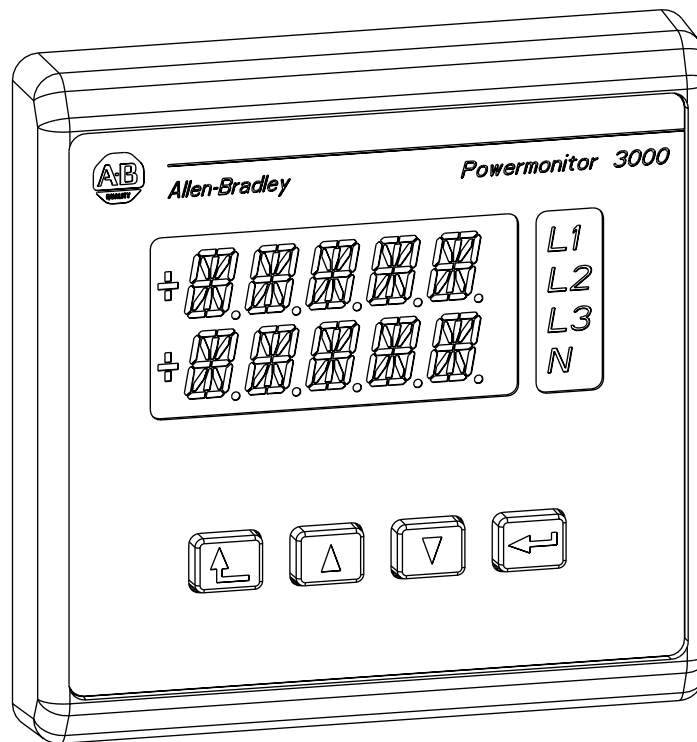




Bulletin 1404 Powermonitor 3000 Display Module

Catalog Number 1404-DM



Description

The Bulletin 1404 Display Module, an optional input/output device, can be used to set up and configure the Bulletin 1404 Master Module for operation. This is accomplished through the Display Module's front panel which includes four tactile operator buttons and a highly visible LED display. Device power and all communication between the Display Module and the Master Module are provided through a shielded, 4 twisted-pair cable. The Display Module is easily mounted into a typical instrument panel analog meter cutout.

Allen-Bradley Automation

Mounting of Display Module

Protective Enclosure

A suitable enclosure should be used to protect the rear surfaces of the Display Module from atmospheric contaminants such as oil, moisture, dust and corrosive vapors plus other harmful airborne substances. The Display Module's gasketed front panel interface to the protective enclosure is rated as an IP65 degree of protection [National Electrical Manufacturer's Association (NEMA)/Underwriters Laboratories (UL) 508, Type 4 (Indoor)] per International Standard IEC 529.

Installation and Orientation

The Display Module can be oriented in any position. The most typical orientation is shown in Figure 1. The Display Module is designed to fit into a protective enclosure cutout that has a minimum depth of 50 mm (2.0 in.) behind the mounting panel. The recommended Display Module mounting hole pattern and dimensions are defined in Figure 2. Ensure that the gasket provided is not contaminated with foreign matter and is installed in the Display Module correctly. Install the Display Module into the protective enclosure's front panel using four M4 nut/lock washer assemblies as shown in Figure 2. Tighten the M4 nut/lock washer assemblies to 0.9 to 1.1 Nm (8 to 10 lb-in).

ATTENTION

Failure to comply with these mounting requirements may cause damage to the Display Module or compromise the IP65 [NEMA/UL 508, Type 4 (INDOOR)] degree of protection per International Standard IEC 529.

IMPORTANT

Illustrations not to scale.

Figure 1 Display Module Dimensions

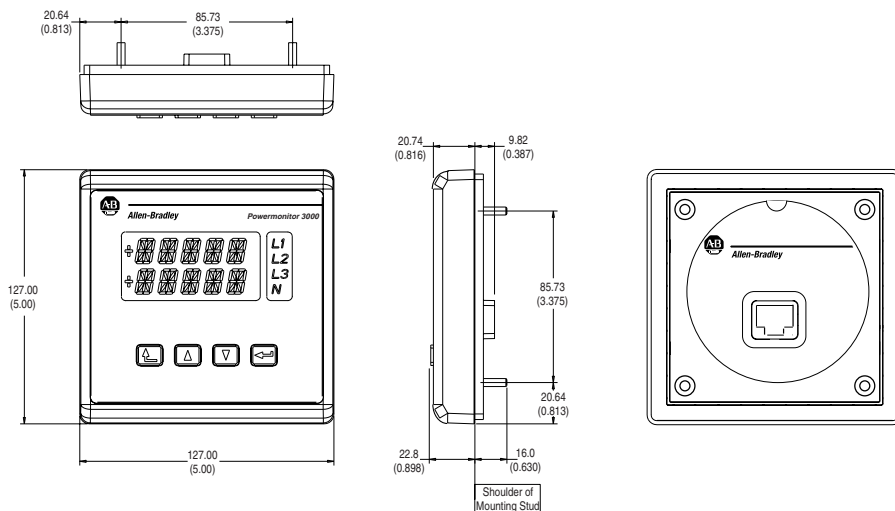
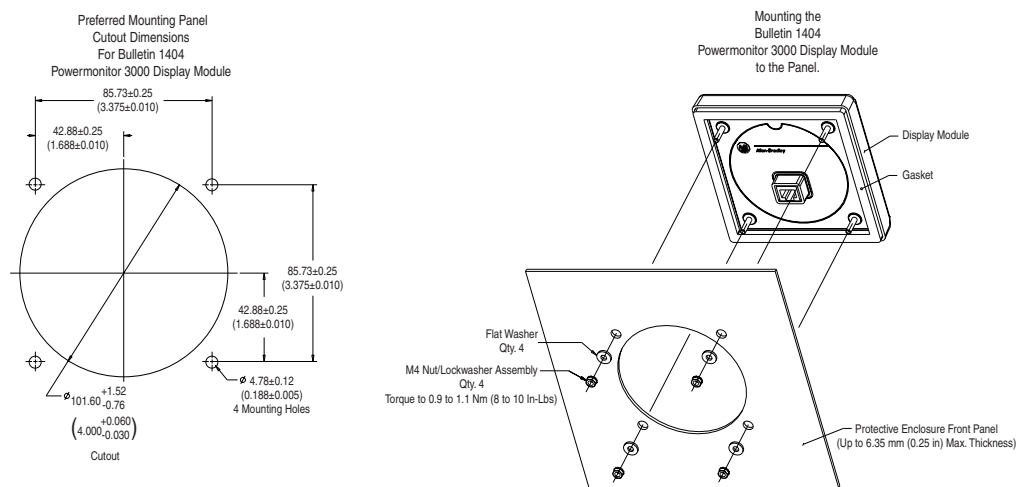


Figure 2 Display Module Panel Cutouts and Mounting Sequence



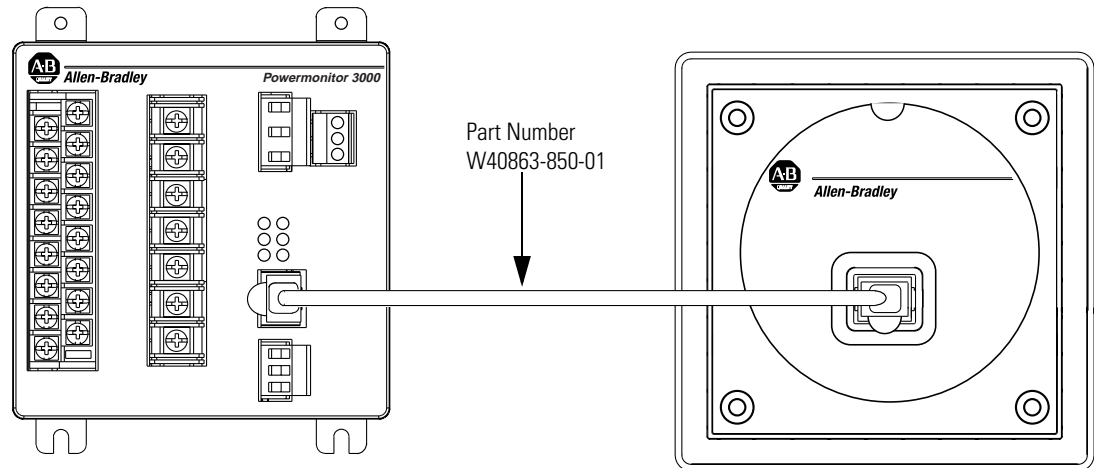
Wiring of Display Module

The Master Module powers the Display Module. See Figure 3 for wiring connections.

Use supplied Allen-Bradley Replacement DM cable Part # W40863-850-01 or equivalent category 5, shielded, with 4 twisted-pair, straight-through (not crossed).

Recommended maximum cable length: 3m (10 ft).

Figure 3 Wiring Display Module to Master Module



Additional Information

For additional information regarding mounting, wiring, or the use of the Display Module to configure the Master Module, refer to *Bulletin 1404 Powermonitor 3000 Installation Instructions*, Publication 1404-IN007 or *Bulletin 1404 Powermonitor 3000 User Manual*, Publication 1404-UM001.

www.rockwellautomation.com

Power, Control and Information Solutions Headquarters

Americas: Rockwell Automation, 1201 South Second Street, Milwaukee, WI 53204-2496 USA, Tel: (1) 414.382.2000, Fax: (1) 414.382.4444

Europe/Middle East/Africa: Rockwell Automation, Vorstlaan/Boulevard du Souverain 36, 1170 Brussels, Belgium, Tel: (32) 2 663 0600, Fax: (32) 2 663 0640

Asia Pacific: Rockwell Automation, Level 14, Core F, Cyberport 3, 100 Cyberport Road, Hong Kong, Tel: (852) 2887 4788, Fax: (852) 2508 1846

Publication 1404-IN005B-EN-P - October 2004

Supersedes Publication 1404-IN005A-US-P - November 1999

PN 40055-199-02(1)

Copyright © 2004 Rockwell Automation, Inc. All rights reserved. Printed in the U.S.A.