

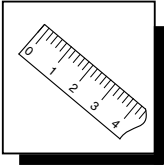
Before connecting the main and auxiliary conductors of the Motor Starter or its accessories, e.g. auxiliary switch and release, please ensure that all conductors, connected parts and clamps are voltage free when carrying out any tasks.

Vor dem Anschliessen der Haupt- und Hilfsleiter des Motorschutzschalters oder seines Zubehörs, z. B. Hilfsschalter und -auslöser, ist sicherzustellen, dass alle Leiter, Anschlusssteile und Klemmen während der Arbeiten spannungsfrei sind.

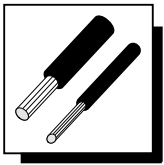
Il faut s'assurer, avant de raccorder le conducteur auxiliaire et le conducteur principal du démarreur ou de ses accessoires (déclencheur ou interrupteur auxiliaire par exemple), que tous les conducteurs, pièces de connexion et bornes soient hors tension pendant toute la durée des travaux.

Prima di allacciare i conduttori principale e secondari dell'avviatore o dei suoi accessori, per es. interruttore ausiliare e sganciatore ausiliari, occorre accertare che tutti i conduttori, gli elementi di allacciamento e i morsetti non siano sotto tensione per tutta la durata dell'intervento

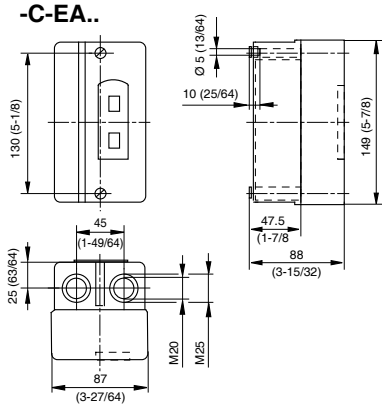
Antes de proceder a la conexión de los conductores principal y auxiliar del arrancador o de sus accesorios, por ejemplo: disparador y interruptor auxiliar, asegúrese de que todos los conductores, piezas de conexión y bornes están sin tensión durante los trabajos.



Dimensions in mm (inches)



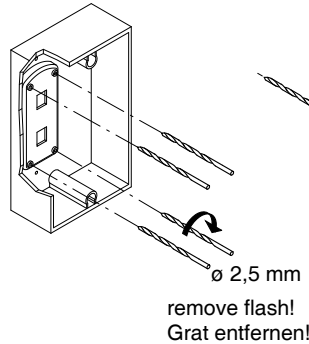
N		 11 mm	2 x 1...2,5 mm ²	 1,3...2 Nm 12...18 lb-in
		 11 mm	2 x 1...4 mm ² No. 16...12 AWG	
		 11 mm	2 x 1...4 mm ² No. 16...12 AWG	



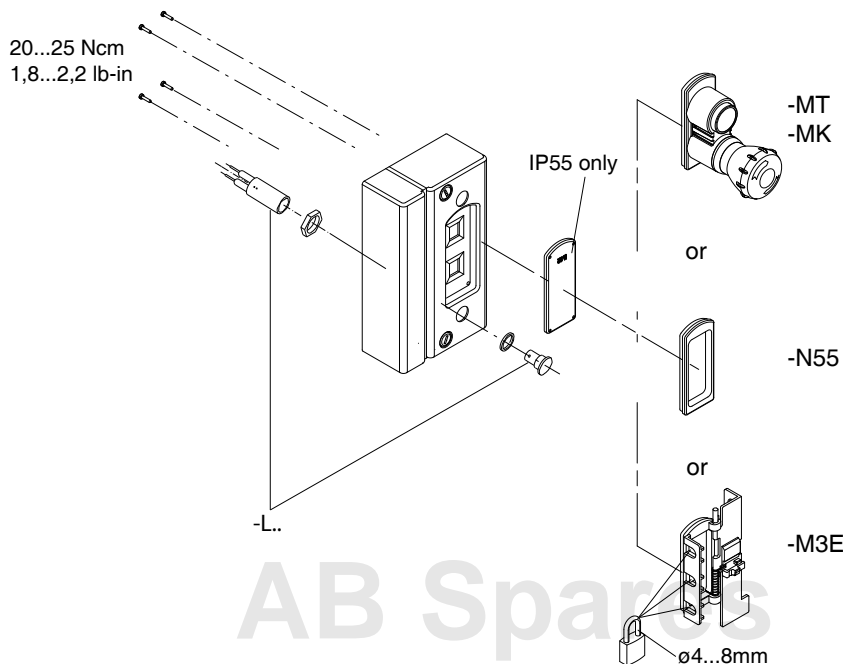
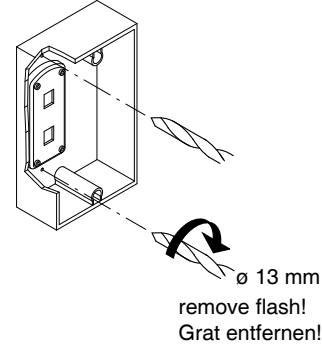
CE
IEC/EN 62208
IEC/EN 60529

for use with -MT; -MK
IEC/EN 60947-5-5

-N55; -MT; -MK; M3E



-L..

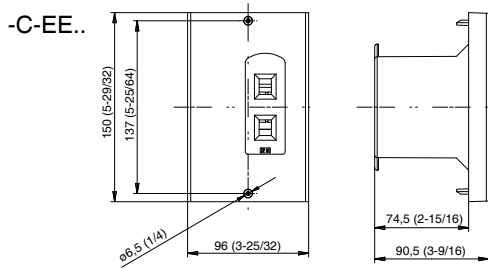


WARNING:
Fully functional only when completely assembled.

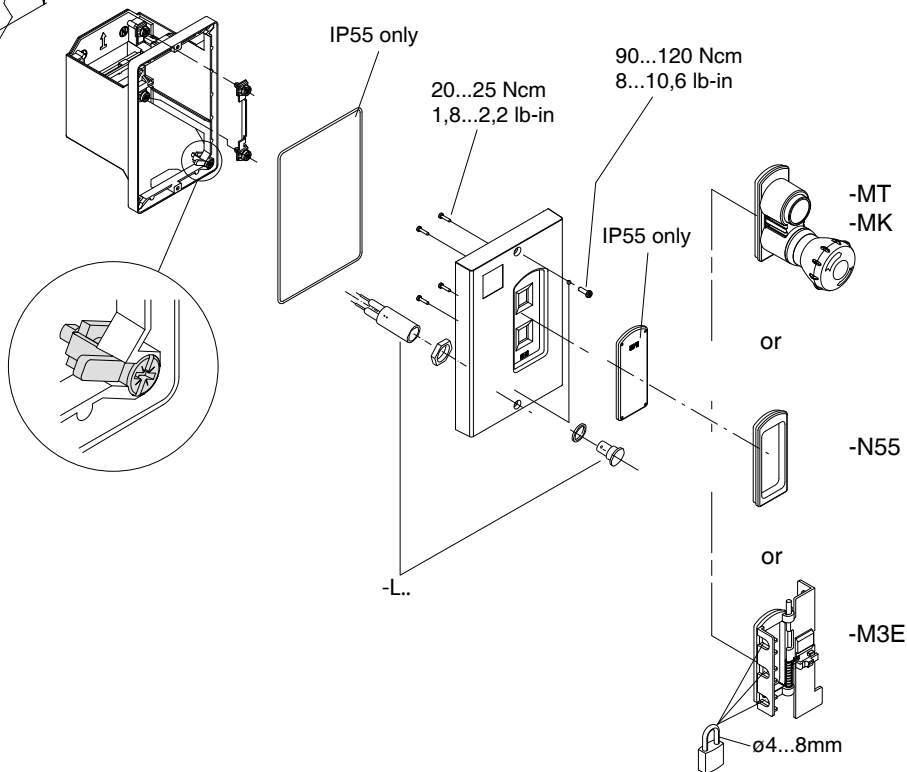
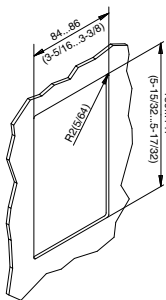
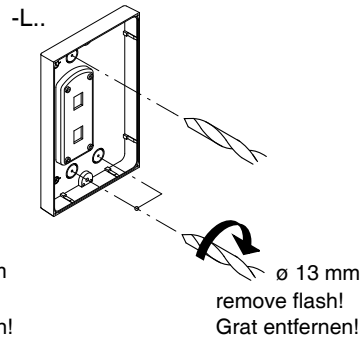
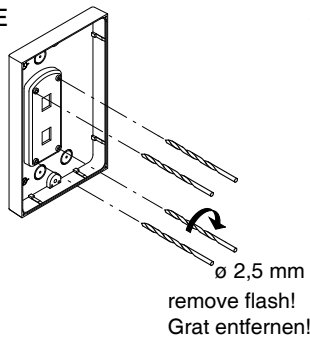
IEC/EN:
Required for Supply
Disconnecting (Isolation)
Device applications

WARNING:
Do not force latch into locked position if mechanical resistance is perceived. Check contact position prior to continue work.

AB Spares



-N55; -MT; -MK; -M3E



WARNING:
Fully functional only when completely assembled.

IEC/EN:
Required for Supply Disconnecting (Isolation) Device applications

WARNING:
Do not force latch into locked position if mechanical resistance is perceived. Check contact position prior to continue work.