

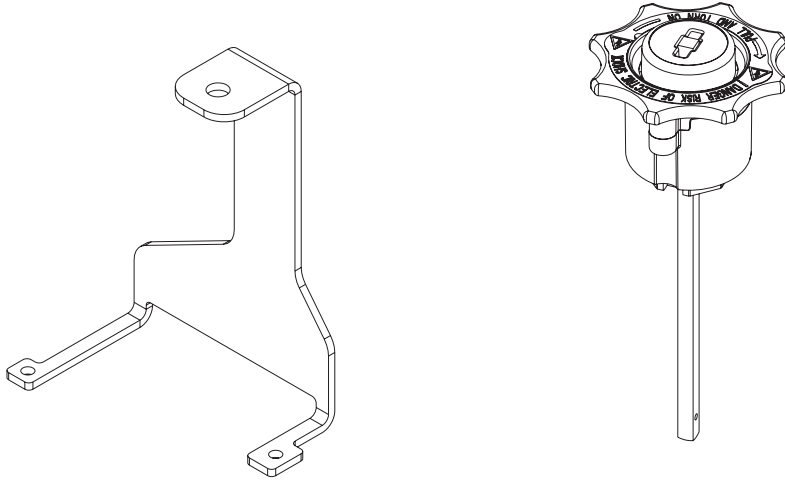


Installation Instructions for Bulletin 140U NFPA 79 Internal Rotary Operating NFPA Handle

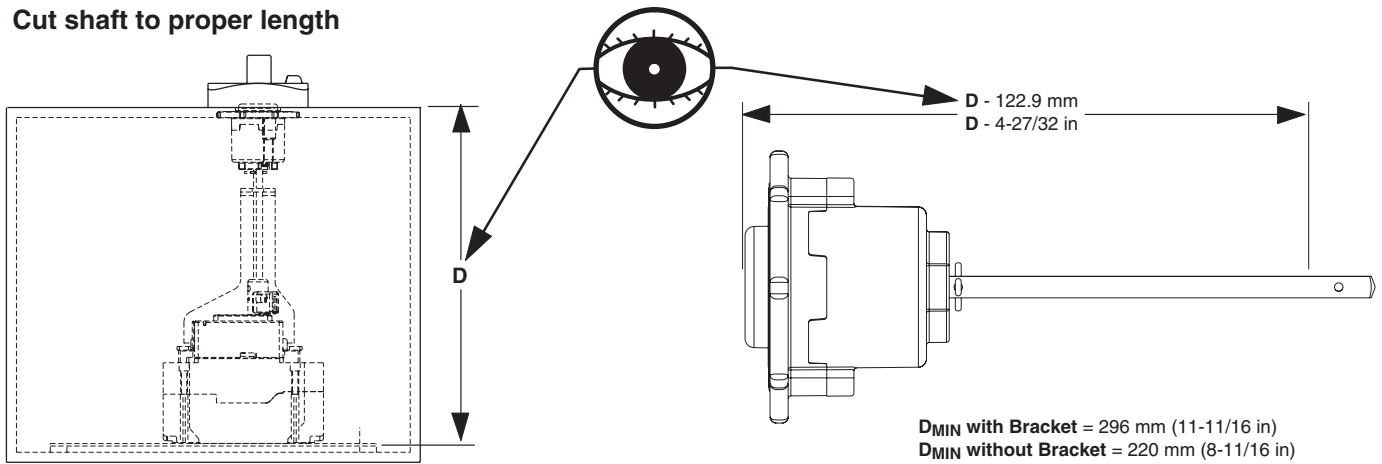
(Cat 140U-H-NH12, -NH21)



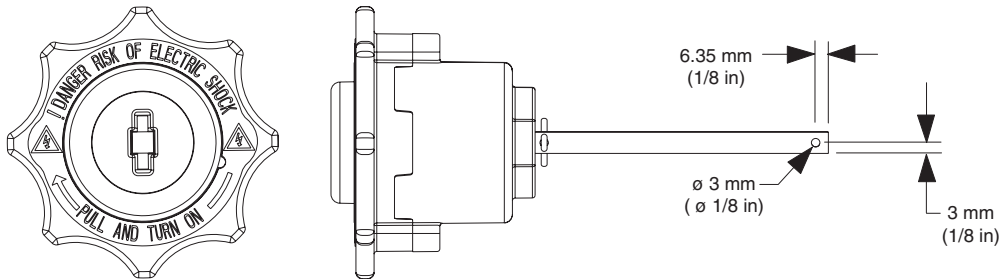
ATTENTION: To prevent electrical shock, disconnect from power source before installing or servicing.



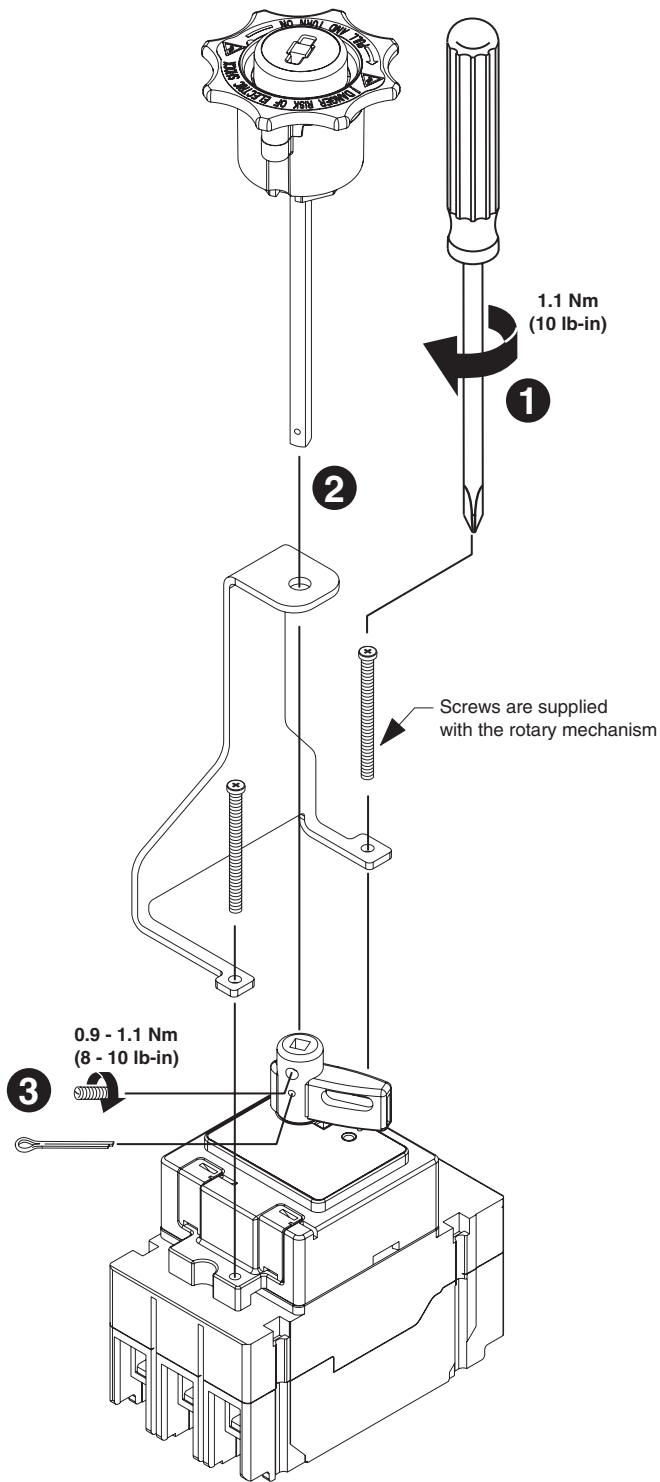
1 Cut shaft to proper length



2 Drill hole



3 Install Assembly



4 Operate Switch

Important: Check for full range of motion.

