



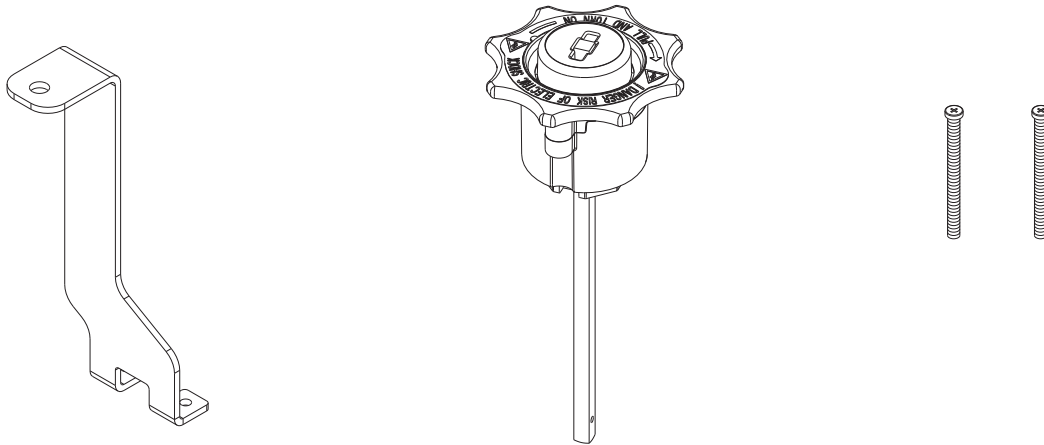
# Installation Instructions for Bulletin 140U NFPA 79

## Internal Rotary Operating NFPA Handle

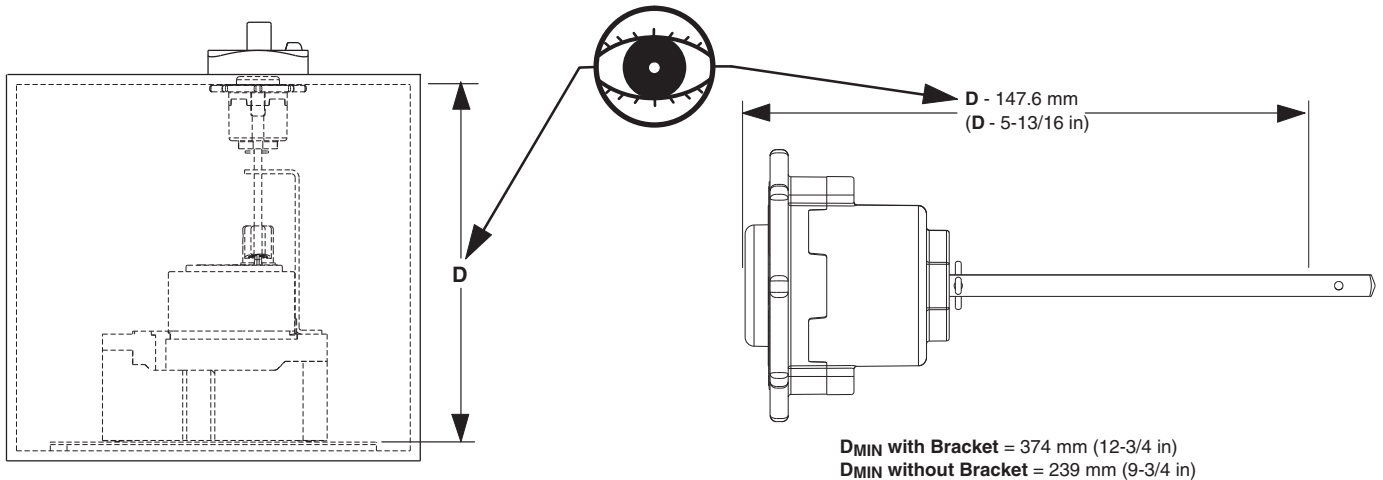
(Cat 140U-J-NH12, -NH21)



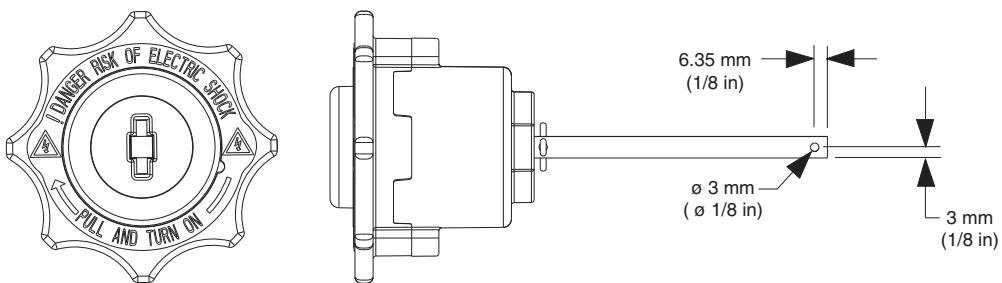
**ATTENTION:** To prevent electrical shock, disconnect from power source before installing or servicing.



### 1 Cut shaft to proper length



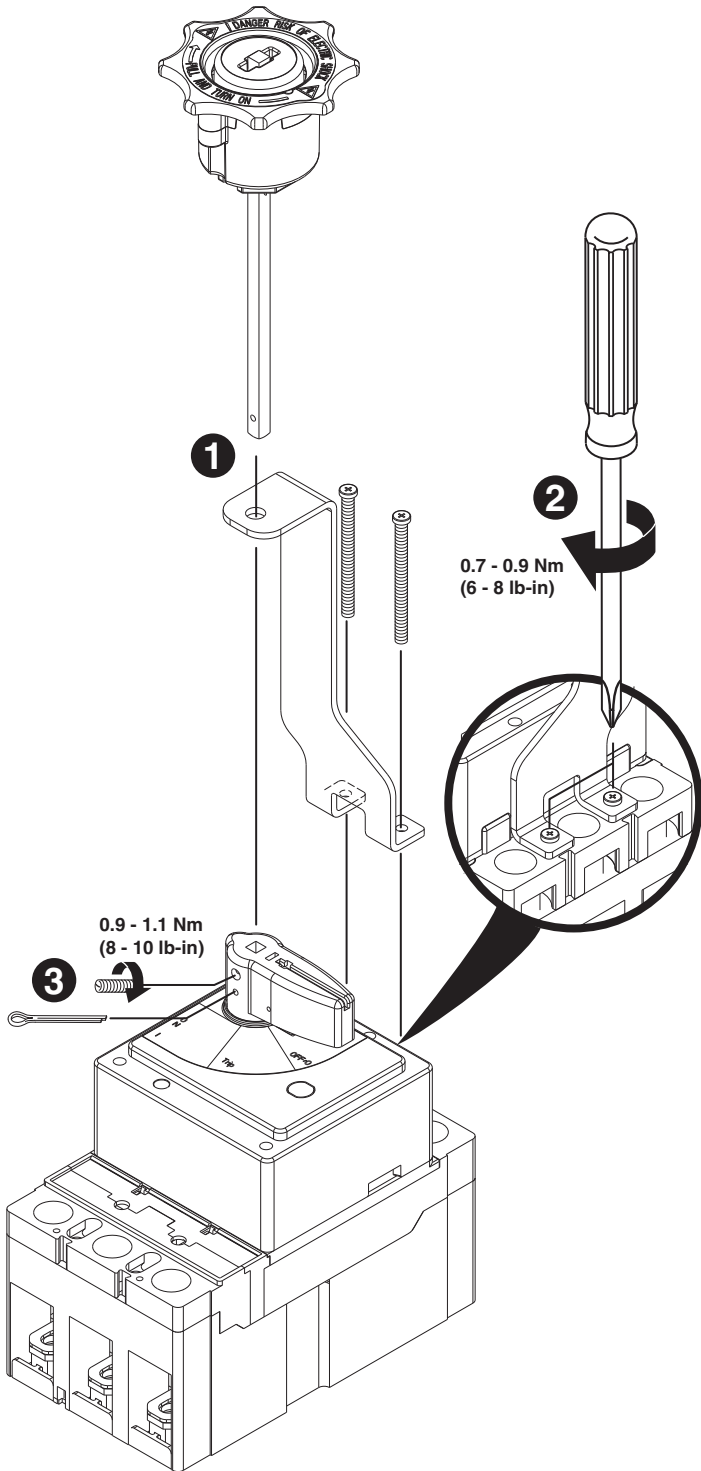
### 2 Drill hole



AB Parts

**3**

### Install Assembly



**4**

### Operate Switch

**Important:** Check for full range of motion.

